

E11F02P69



Twin Diplexer, 700-800/900 MHz, dc pass on high ports

- Industry leading PIM performance
- Designed for network modernization application, introduction of LTE700 and LTE800 on existing site
- Twin configuration
- dc/AISG pass-through on high frequency ports

OBSOLETE

This product was discontinued on: July 1, 2022

Replaced By:

E14F06P20

Twin Diplexer, 700-800/900 DC Bypass All ports, 4.3-10 connectors

Product Classification

Product Type Diplexer

General Specifications

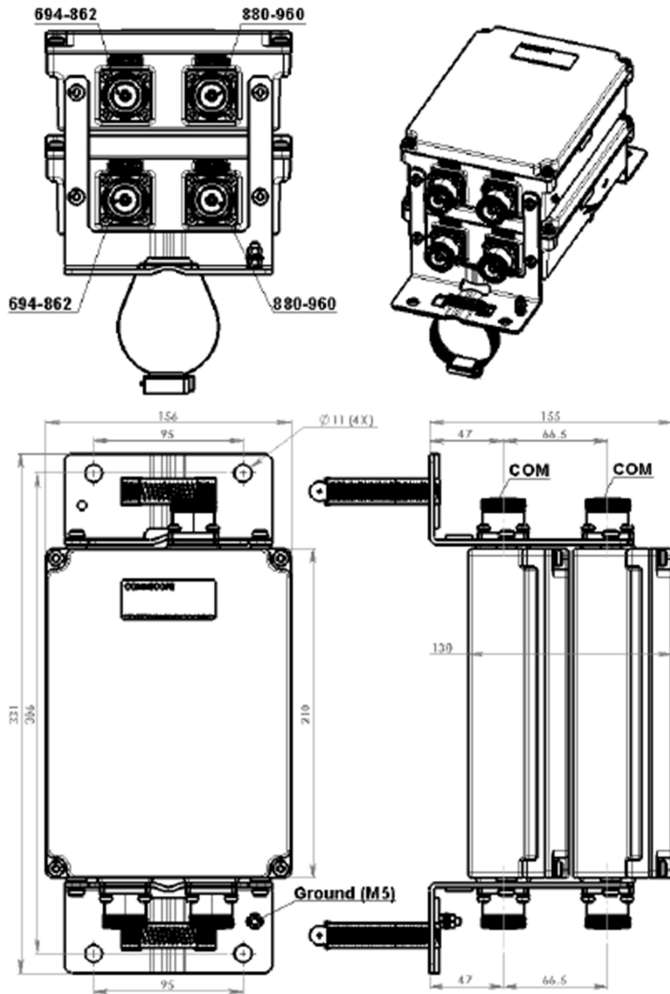
Product Family CBC79X
Color Gray
Common Port Label Port 3
Modularity 2-Twin
Mounting Pole | Wall
Mounting Pipe Hardware Band clamps (2)
RF Connector Interface 7-16 DIN Female
RF Connector Interface Body Style Long neck

Dimensions

Height 210 mm | 8.268 in
Width 156 mm | 6.142 in
Depth 130 mm | 5.118 in
Mounting Pipe Diameter Range 40–140 mm

E11F02P69

Outline Drawing



Electrical Specifications

Impedance	50 ohm
License Band, Band Pass	APT 700 CEL 900 EDD 800

Electrical Specifications, dc Power/Alarm

dc/AISG Pass-through, combiner	Branch 2
dc/AISG Pass-through, demultiplexer	Branch 2
Lightning Surge Current	5 kA
Lightning Surge Current Waveform	8/20 waveform

E11F02P69

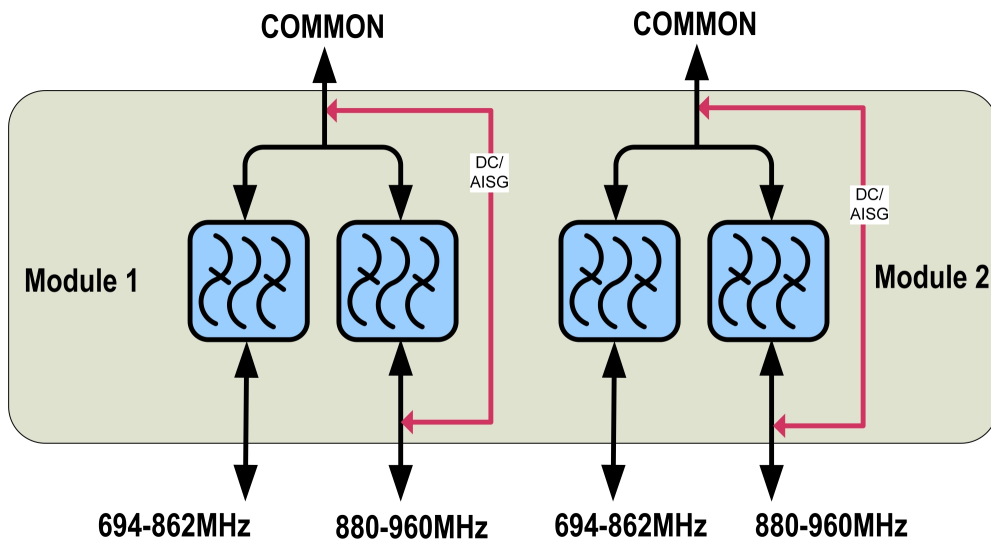
Electrical Specifications

Sub-module	1 2	1 2
Branch	1	2
Port Designation	694-862	880-960
License Band	EDD 800, Band Pass APT 700, Band Pass	CEL 900, Band Pass

Electrical Specifications, Band Pass

Frequency Range, MHz	694–862	880–960
Insertion Loss, typical, dB	0.2	0.2
Return Loss, typical, dB	22	20
Isolation, minimum, dB	50	50
Input Power, RMS, maximum, W	300	300
Input Power, PEP, maximum, W	3000	3000
3rd Order PIM, typical, dBc	-160	-160
3rd Order PIM Test Method	Two +43 dBm carriers	Two +43 dBm carriers

Block Diagram



Environmental Specifications

Operating Temperature	-40 °C to +65 °C (-40 °F to +149 °F)
Corrosion Test Method	IEC 60068-2-11, 30 days

E11F02P69

Ingress Protection Test Method IEC 60529:2001, IP67

Packaging and Weights

Included Mounting hardware

Weight, net 5.2 kg | 11.464 lb

Regulatory Compliance/Certifications

Agency

ISO 9001:2015

Classification

Designed, manufactured and/or distributed under this quality management system

