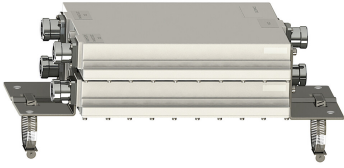


# E11F02P1750



Twin Diplexer, FDD/TDD 2600, dc pass on all ports

- Twin configuration

**OBSOLETE**

This product was discontinued on: December 30, 2024

## Product Classification

**Product Type** Diplexer

## General Specifications

**Product Family** CBC2526

**Color** Gray

**Common Port Label** COM

**Modularity** 2-Twin

**Mounting** Pole | Wall

**Mounting Pipe Hardware** Band clamps (2)

**RF Connector Interface** 7-16 DIN Female

**RF Connector Interface Body Style** Medium neck

## Dimensions

**Height** 270 mm | 10.63 in

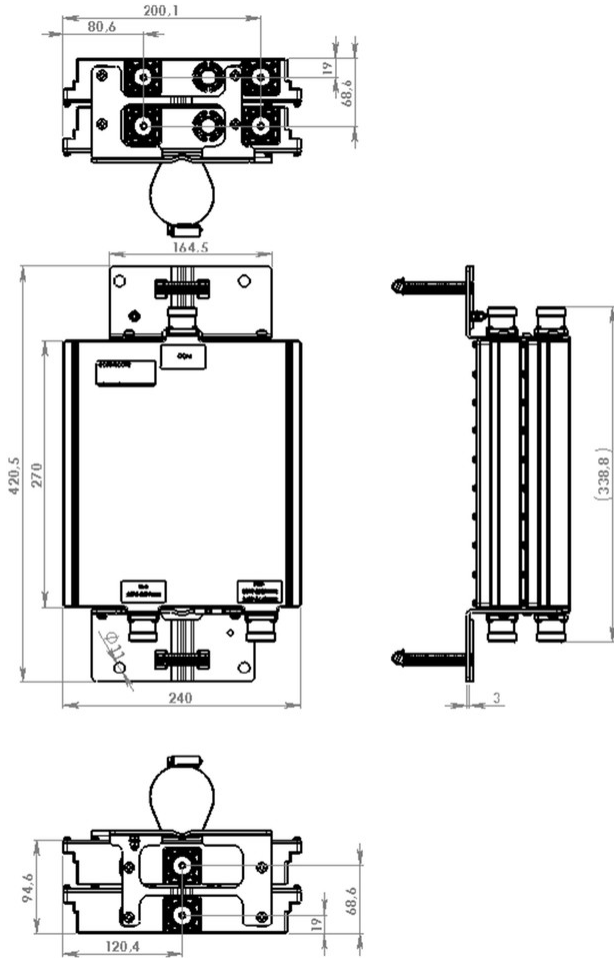
**Width** 239 mm | 9.409 in

**Depth** 105 mm | 4.134 in

**Mounting Pipe Diameter Range** 42.6–122 mm

# E11F02P1750

## Outline Drawing



## Electrical Specifications

|                                |                     |
|--------------------------------|---------------------|
| <b>Impedance</b>               | 50 ohm              |
| <b>License Band, Band Pass</b> | IMT 2600   TDD 2600 |

## Electrical Specifications, Common Port

|                             |       |
|-----------------------------|-------|
| <b>Composite Power, RMS</b> | 200 W |
|-----------------------------|-------|

## Electrical Specifications, dc Power/Alarm

|                                       |                     |
|---------------------------------------|---------------------|
| <b>dc/AISG Pass-through Method</b>    | Factory set         |
| <b>dc/AISG Pass-through Path</b>      | Branch 1   Branch 2 |
| <b>dc/AISG Pass-through, combiner</b> | Branch 1   Branch 2 |

# E11F02P1750

---

|  |                     |
|--|---------------------|
| <b>dc/AISG Pass-through, demultiplexer</b> | Branch 1   Branch 2 |
| <b>Lightning Surge Current</b>             | 3 kA                |
| <b>Lightning Surge Current Waveform</b>    | 10/350 waveform     |

## Electrical Specifications

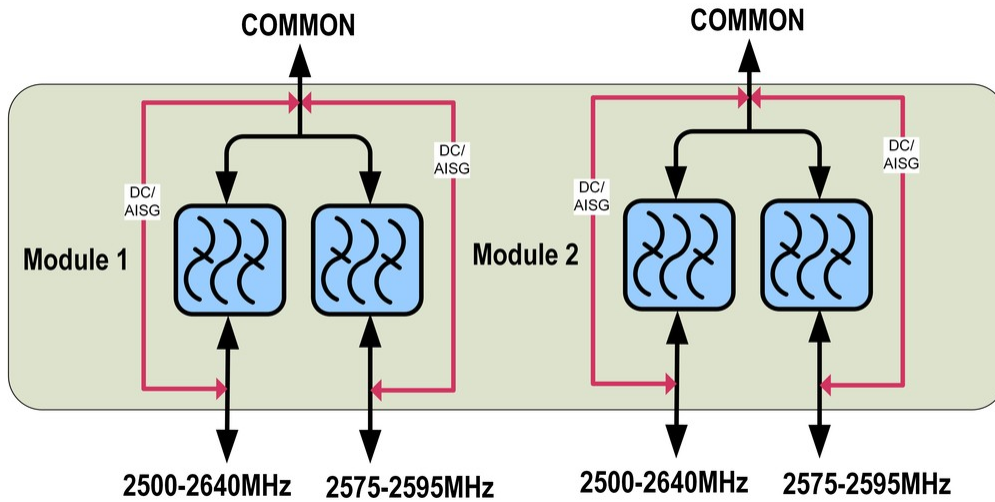
|                         |                         |                     |
|-------------------------|-------------------------|---------------------|
| <b>Sub-module</b>       | <b>1   2</b>            | <b>1   2</b>        |
| <b>Branch</b>           | 1                       | 2                   |
| <b>Port Designation</b> | FDD 2500-2520/2620-2640 | TDD 2572.5-2602.5   |
| <b>License Band</b>     | IMT 2600, Band Pass     | TDD 2600, Band Pass |

## Electrical Specifications, Band Pass

|                                    |                                |                      |
|------------------------------------|--------------------------------|----------------------|
| <b>Frequency Range, MHz</b>        | <b>2500–2520<br/>2620–2640</b> | <b>2572.5–2602.5</b> |
| <b>Insertion Loss, maximum, dB</b> | 0.9                            | 1.2                  |
| <b>Insertion Loss, typical, dB</b> | 0.7                            | 1                    |
| <b>Return Loss, minimum, dB</b>    | 18                             | 18                   |
| <b>Isolation, minimum, dB</b>      | 85                             | 85                   |

# E11F02P1750

## Block Diagram



## Environmental Specifications

|                                       |                                      |
|---------------------------------------|--------------------------------------|
| <b>Operating Temperature</b>          | -40 °C to +65 °C (-40 °F to +149 °F) |
| <b>Corrosion Test Method</b>          | IEC 60068-2-11, 30 days              |
| <b>Ingress Protection Test Method</b> | IEC 60529:2001, IP67                 |

## Packaging and Weights

|                    |                   |
|--------------------|-------------------|
| <b>Included</b>    | Mounting hardware |
| <b>Volume</b>      | 6.1 L             |
| <b>Weight, net</b> | 8.6 kg   18.96 lb |

## Regulatory Compliance/Certifications

| <b>Agency</b> | <b>Classification</b>  |
|---------------|--|
| CHINA-ROHS    | Above maximum concentration value  |
| ISO 9001:2015 | Designed, manufactured and/or distributed under this quality management system |
| ROHS          | Compliant/Exempted   |
| UK-ROHS       | Compliant/Exempted   |

