

SAHARA2



DryLine® Dehydrator, Low-pressure membrane, 2.0–5.0 psig, with summary alarm, 240 Vac, 50/60 Hz

OBSOLETE

This product was discontinued on: May 1, 2018

Product Classification

Product Type Dehydrator

Product Brand DryLine®

General Specifications

Alarm Type Summary

Circuit Breaker Requirement Electrical connections require separate circuits for dehydrator installation

Cut In Pressure 14 kPa | 2.031 psig

Cut In/Out Pressure Type Factory set

Cut Out Pressure 34 kPa | 4.931 psig

Dehydrator Type Automatic Membrane

Dew Point Better than -45 °C (-50 °F) at 95% RH at +40 °C (+104 °F)

Excess-Run Alarm 10 minutes, factory set

Flow Rate, nominal 56.3 SLPM

Low-Pressure Alarm 68 mbar | 7 kPa | 1 psig

Mounting Floor

Port Count 1

Port Type 3/8 in PE tube

Power Cord Europe power cord with stripped leads | USA power cord

Dimensions

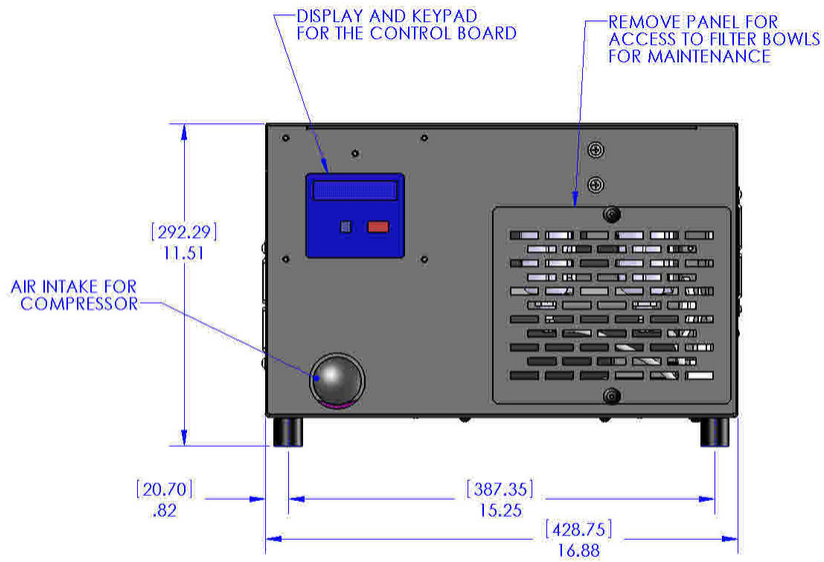
Product Height 266.7 mm | 10.5 in

SAHARA2

Product Width	431.8 mm 17 in
Product Depth	381 mm 15 in
Volume Capacity, maximum	31.149 m ³ 1100 ft ³
Volume Capacity, minimum	2.832 m ³ 100.001 ft ³

SAHARA2

Outline Drawing–Front

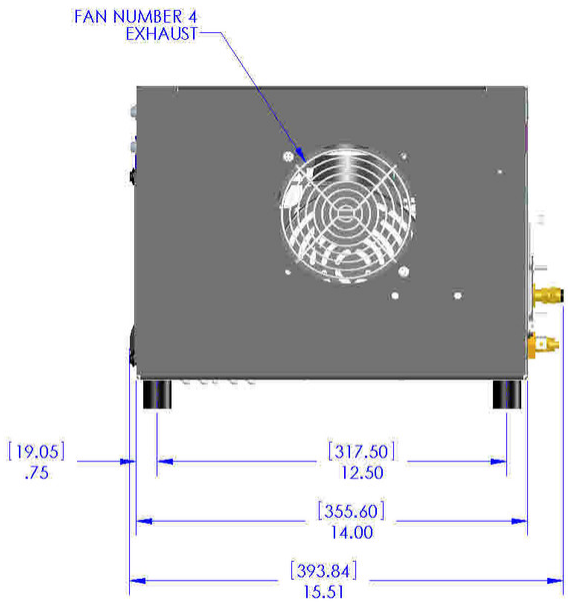


SAHARA FRONT VIEW

1. THIS UNIT IS DESIGNED TO SET ON A COUNTER OR THE FLOOR DUE TO ITS WEIGHT.
2. MAKE SURE TO LEAVE PLENTY OF ROOM AROUND THE UNIT FOR AIRFLOW AND COOLING.
3. DIMENSIONS ARE AS FOLLOWS: [] MILLIMETERS, [] INCHES

SAHARA2

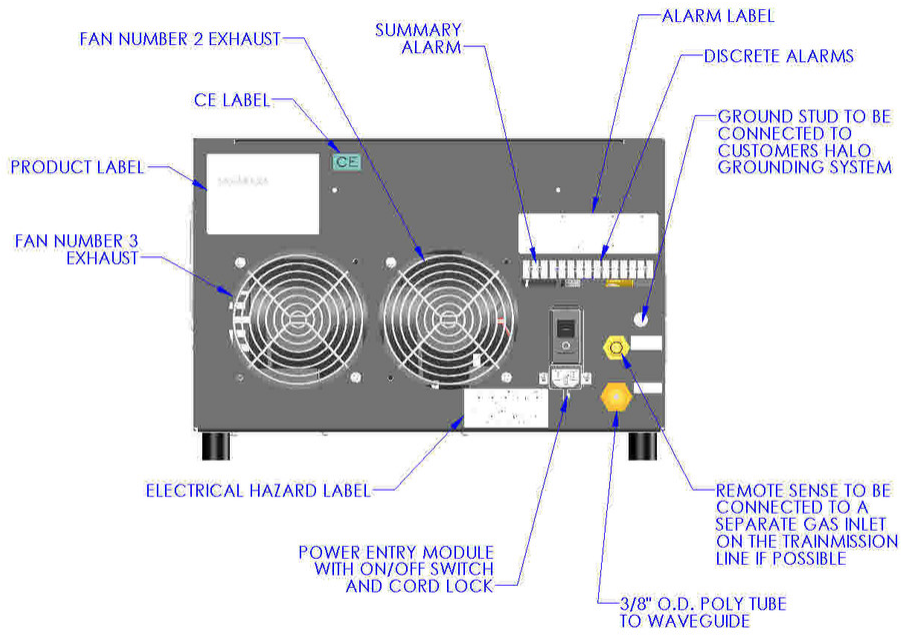
Outline Drawing–Side



SAHARA SIDE VIEW

SAHARA2

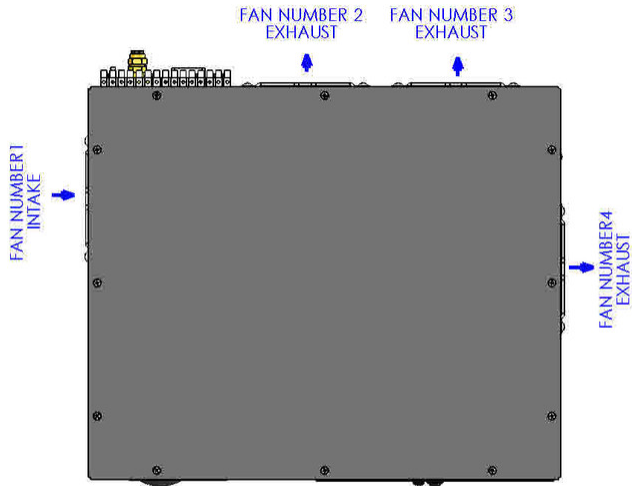
Outline Drawing–Back



SAHARA BACK VIEW

SAHARA2

Outline Drawing–Top



SAHARA TOP VIEW

Electrical Specifications

Alarm Contact Rating	Form C dry contacts, 2 amps at 30 Vdc
Power Consumption, average	925 W
Power Frequency	60/50 Hz
Power Phase	Single
Suggested Circuit Breaker Size	30 A
Voltage	240 Vac \pm 10%
Voltage Type	ac

Environmental Specifications

Operating Temperature	-10 °C to +40 °C (+14 °F to +104 °F)
------------------------------	--------------------------------------

Packaging and Weights

Included	3/8 in polyethylene tubing 90° elbow fitting Ball valve Male connector fitting PTFE tape Power cord Power cord connector lock Screws
-----------------	--

Weight, net	25 kg 55.115 lb
--------------------	-------------------

SAHARA2

Regulatory Compliance/Certifications

Agency	Classification
CHINA-ROHS	Above maximum concentration value
ROHS	Compliant/Exempted

