

NT-360M-F



3-port omni antenna, 1x 825-896 and 2x 2490–2690 MHz, low band vertical polarization and high band horizontal/vertical polarization, 360° horizontal beamwidth

General Specifications

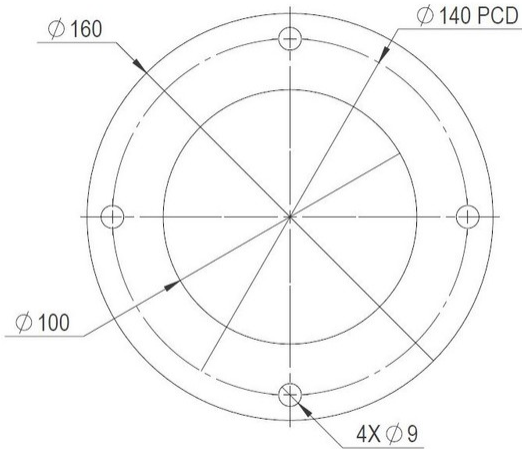
| | |
|---|--|
| Antenna Type | Omni |
| Band | Multiband |
| Grounding Type | RF connector body grounded to mounting interface |
| Performance Note | Outdoor usage Wind loading figures are validated by wind tunnel measurements described in white paper WP-112534-EN |
| Radome Material | Fiberglass, UV resistant |
| Radiator Material | Brass |
| RF Connector Interface | 4.3-10 Female |
| RF Connector Location | Bottom |
| RF Connector Quantity, high band | 2 |
| RF Connector Quantity, low band | 1 |
| RF Connector Quantity, total | 3 |

Dimensions

| | |
|---|--------------------|
| Length | 998 mm 39.291 in |
| Net Weight, without mounting kit | 3 kg 6.614 lb |
| Outer Diameter | 56 mm 2.205 in |

Mounting Hole Pattern

NT-360M-F



Electrical Specifications

| | |
|-----------------------------------|---------------------------------|
| Impedance | 50 ohm |
| Operating Frequency Band | 2490 – 2690 MHz 825 – 896 MHz |
| Total Input Power, maximum | 250 W @ 50 °C |

Electrical Specifications

| Frequency Band, MHz | 825–896 | 2490–2690 |
|---|-------------|------------|
| Gain, dBi | 2.9 | 6.2 |
| Beamwidth, Horizontal, degrees | 360 | 360 |
| Beamwidth, Vertical, degrees | 130 | 20.5 |
| Beam Tilt, degrees | 0 | 0 |
| USLS, typical, dB | | 9 |
| Isolation, Cross Polarization, dB | | 30 |
| Isolation, Inter-band, dB | 26 | 26 |
| VSWR Return loss, dB | 1.54 13.5 | 1.5 14.0 |
| PIM, 3rd Order, 2 x 20 W, dBc | -145 | -145 |
| Input Power per Port at 50°C, maximum, watts | 100 | 100 |

Electrical Specifications, BASTA

| Frequency Band, MHz | 825–896 | 2490–2690 |
|---|---------|-----------|
| Gain by all Beam Tilts, average, dBi | 2.8 | 5.9 |
| Gain by all Beam Tilts Tolerance, dB | ±0.4 | ±0.5 |

NT-360M-F

| | | |
|---|----|------|
| Beamwidth, Vertical Tolerance, degrees | | ±1.2 |
| CPR at Sector, dB | 16 | 18 |

Mechanical Specifications

| | |
|---|---|
| Wind Loading @ Velocity, frontal | 56.0 N @ 150 km/h (12.6 lbf @ 150 km/h) |
| Wind Speed, maximum | 241 km/h (150 mph) |

Packaging and Weights

| | |
|-----------------------|---------------------|
| Width, packed | 251 mm 9.882 in |
| Depth, packed | 237 mm 9.331 in |
| Length, packed | 1121 mm 44.134 in |
| Weight, gross | 5.9 kg 13.007 lb |

Regulatory Compliance/Certifications

| Agency | Classification |
|---------------|--|
| ISO 9001:2015 | Designed, manufactured and/or distributed under this quality management system |



* Footnotes

| | |
|-------------------------|---|
| Performance Note | Severe environmental conditions may degrade optimum performance |
|-------------------------|---|