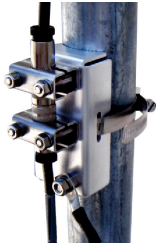


ATGK-CABLE



RET Control Cable Grounding Kit

- Used for grounding control cables at recommended 60-meter intervals
- Grounds RET cable at connectors, eliminating need to cut into cable jacket
- Includes ground cable for connecting to the main ground buss
- Easily mounts to a pole

Product Classification

Product Type RET grounding kit

Dimensions

Height 101.6 mm | 4 in

Width 61 mm | 2.402 in

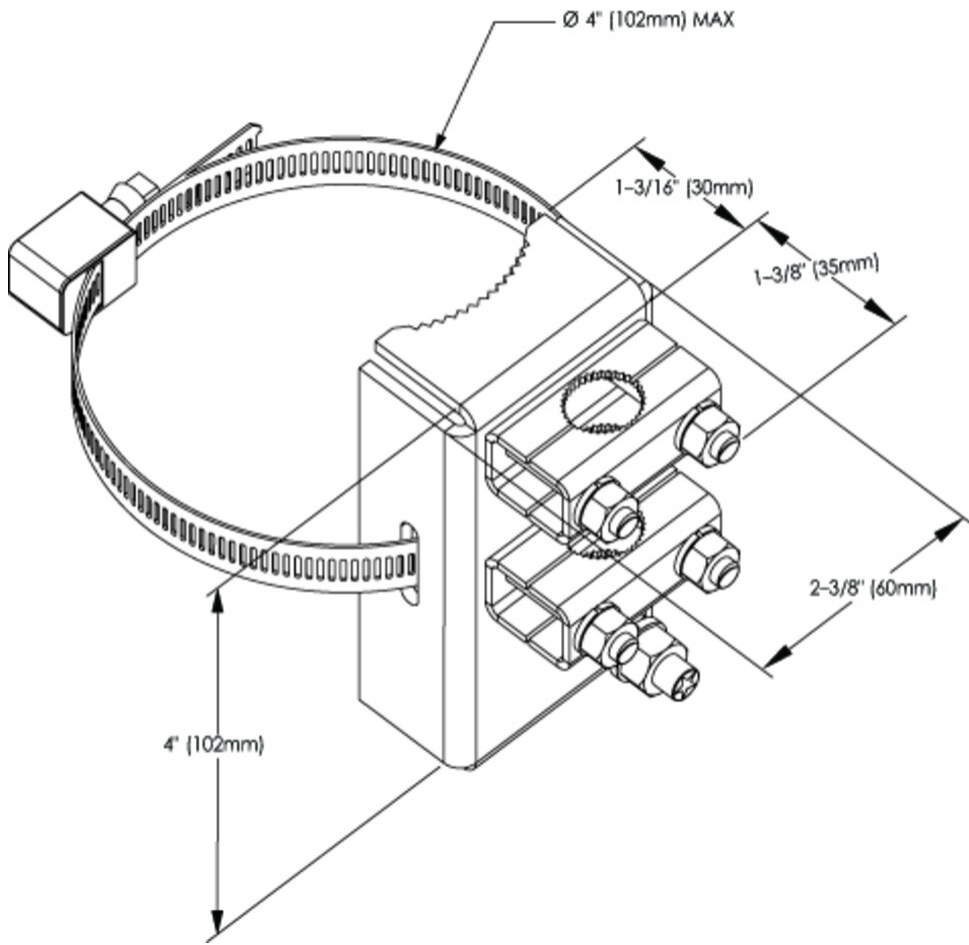
Depth 61 mm | 2.402 in

Grounding Cable Length 609.6 mm | 24 in

Grounding Cable Nominal Diameter 16 mm | 0.63 in

Dimension Drawing

ATGK-CABLE



Electrical Specifications

Lightning Surge Current	16 kA
Lightning Surge Current Waveform	10/350 waveform

Packaging and Weights

Included	Grounding bracket assembly with band clamp Grounding cable with lugs
Weight, net	0.3 kg 0.661 lb

Regulatory Compliance/Certifications

Agency	Classification
CHINA-ROHS	Below maximum concentration value
ISO 9001:2015	Designed, manufactured and/or distributed under this quality management system
REACH-SVHC	Compliant as per SVHC revision on www.andrew.com/ProductCompliance

ATGK-CABLE

ROHS Compliant

UK-ROHS Compliant

