

DM-CAPKIT



7-16 DIN Male End Cap Assembly

Product Classification

Product Type	Surge arrestor accessory
Product Brand	HELIAX®
Ordering Note	ANDREW® non-standard product

General Specifications

Interface	7-16 DIN Male
------------------	---------------

Dimensions

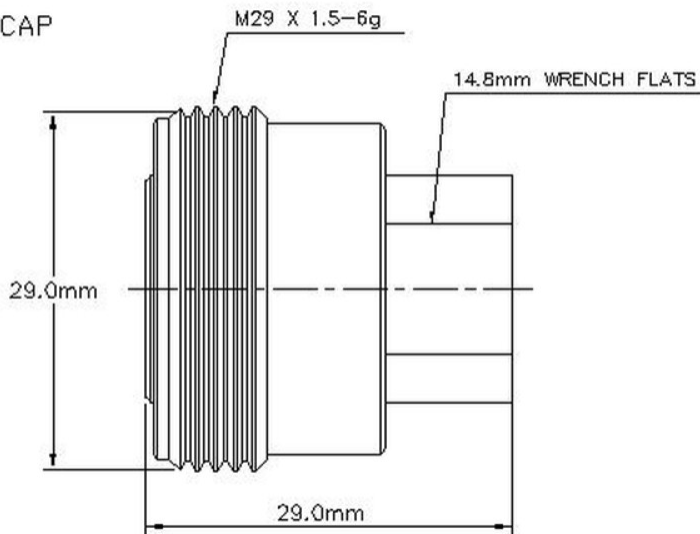
Height	29 mm 1.142 in
Width	29 mm 1.142 in
Length	29 mm 1.142 in

Outline Drawing

DIN MALE END CAP

MATERIAL:
BRASS
C36000

FINISH:
TRIMETAL
ALLOY
PLATE



DM-CAPKIT

Material Specifications

Finish	Trimetal
Material Type	Brass

Mechanical Specifications

Coupling Nut Proof Torque	4 N-m 35.403 in lb
Interface Durability	50 cycles
Mechanical Shock Test Method	IEC 60068-2-27

Environmental Specifications

Operating Temperature	-55 °C to +85 °C (-67 °F to +185 °F)
Storage Temperature	-65 °C to +125 °C (-85 °F to +257 °F)
Corrosion Test Method	IEC 60068-2-11
Immersion Depth	1 m
Immersion Test Mating	Mated
Immersion Test Method	IEC 60529:2001, IP68
Moisture Resistance Test Method	IEC 60068-2-3
Thermal Shock Test Method	IEC 60068-2-14
Vibration Test Method	IEC 60068-2-6

Packaging and Weights

Packaging quantity	1
Weight, net	81 g 0.179 lb

Regulatory Compliance/Certifications

Agency	Classification
ISO 9001:2015	Designed, manufactured and/or distributed under this quality management system

* Footnotes

Immersion Depth	Immersion at specified depth for 24 hours
------------------------	---