

EH0192-050 | C/A 2X24P RJ 100PIN 50M



48-pair Cable Assembly, 100-pin male connector to stub, for Nokia 7330 DSLAM, gray, 50 meters

- Designed to meet the requirements of VDSL transmission for use in FTTB/ FTTN deployments
- Small cable diameter allows usage in environments where space constraints and cable routing prove most challenging
- Single-ended cable assembly versions feature a copper wire diameter that is ideal to be terminated with LSA-PLUS modules

Product Classification

Regional Availability Australia/New Zealand
Product Type Copper trunk cable assembly

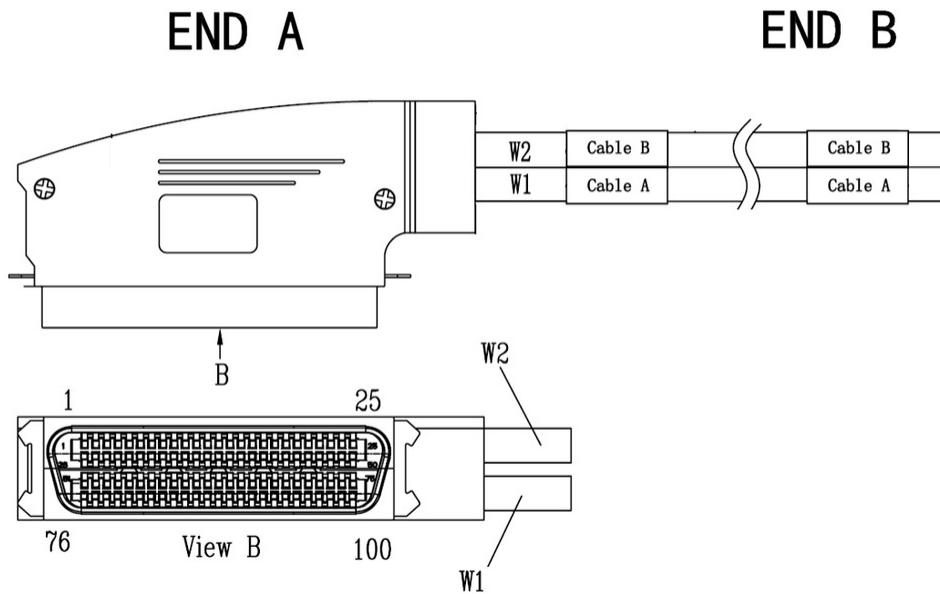
General Specifications

Conductor Type Solid

Dimensions

Cord Length 50 m | 164.042 ft
Diameter Over Jacket 9.2 mm | 0.362 in

Wiring Diagram



Regulatory Compliance/Certifications

Agency

CHINA-ROHS
 REACH-SVHC
 ROHS
 UK-ROHS

Classification

Below maximum concentration value
 Compliant as per SVHC revision on www.commscope.com/ProductCompliance
 Compliant
 Compliant

