

C400F-NMNM-3

CNT-400-FR CNT® Jumper with interface types N Male and N Male,
0.9 m



Product Classification

| | |
|-----------------------|------------------------|
| Product Type | Braided cable assembly |
| Product Brand | CNT® |
| Product Series | CNT-400 |

General Specifications

| | |
|---|------------------|
| Attachment, Connector A | Field attachment |
| Attachment, Connector B | Field attachment |
| Body Style, Connector A | Straight |
| Body Style, Connector B | Straight |
| Cable Family | CNT-400 |
| Interface, Connector A | N Male |
| Interface, Connector B | N Male |
| Specification Sheet Revision Level | A |

Dimensions

| | |
|---------------------|------------------|
| Length | 0.9 m 2.953 ft |
| Nominal Size | 0.400 in |

VSWR/Return Loss

| Frequency Band | VSWR | Return Loss (dB) |
|----------------|-------|------------------|
| 700–3000 MHz | 1.288 | 18 |

Jumper Assembly Sample Label

C400F-NMNM-3



Regulatory Compliance/Certifications

| Agency | Classification |
|---------------|--|
| ISO 9001:2015 | Designed, manufactured and/or distributed under this quality management system |

Included Products

- 400APNM-C – Type N Male for CNT-400 braided cable
- 400BPNM-C – Type N Male for CNT-400 braided cable
- CNT-400-FR – CNT-400-FR, CNT® 50 Ohm Braided Coaxial Cable, black non-halogenated, fire retardant polyolefin jacket, Dca s2 d2 Compliant

400APNM-C

Type N Male for CNT-400 braided cable

Product Classification

| | |
|----------------------|-------------------------|
| Product Type | Braided cable connector |
| Product Brand | CNT® |

General Specifications

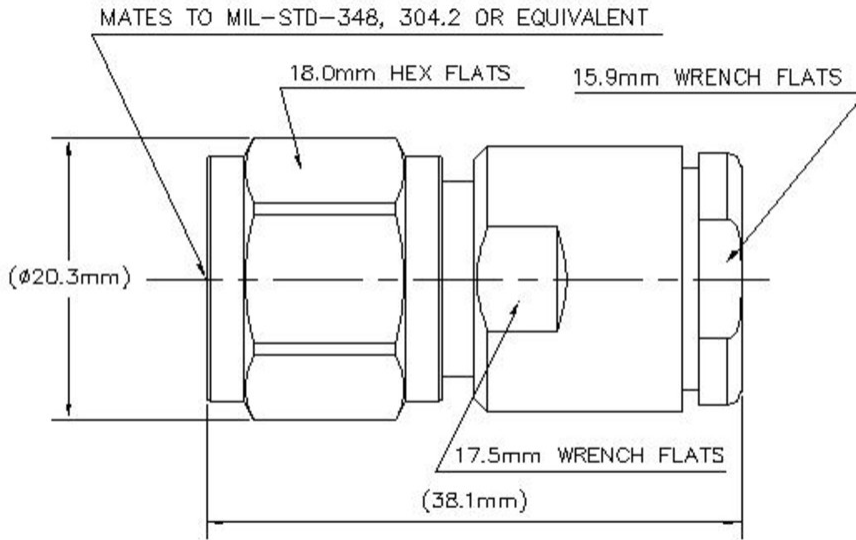
| | |
|--|------------|
| Body Style | Straight |
| Inner Contact Attachment Method | Captivated |
| Inner Contact Plating | Gold |
| Interface | N Male |
| Outer Contact Attachment Method | Clamp |
| Outer Contact Plating | Trimetal |

Dimensions

| | |
|---------------------|---------------------|
| Width | 20.25 mm 0.797 in |
| Length | 38.22 mm 1.505 in |
| Diameter | 20.25 mm 0.797 in |
| Nominal Size | 0.405 in |

Outline Drawing

400APNM-C



Electrical Specifications

| | |
|---|--------------|
| Insertion Loss, typical | 0.05 dB |
| Cable Impedance | 50 ohm |
| Connector Impedance | 50 ohm |
| dc Test Voltage | 2500 V |
| Inner Contact Resistance, maximum | 1 mOhm |
| Insulation Resistance, minimum | 5000 MOhm |
| Operating Frequency Band | 0 – 6000 MHz |
| Outer Contact Resistance, maximum | 0.25 mOhm |
| Peak Power, maximum | 10 kW |
| RF Operating Voltage, maximum (vrms) | 707 V |

VSWR/Return Loss

| Frequency Band | VSWR | Return Loss (dB) |
|----------------|-------|------------------|
| 0–3000 MHz | 1.046 | 32.96 |
| 3000–6000 MHz | 1.18 | 22 |

Mechanical Specifications

| | |
|--|------------------------|
| Connector Retention Tensile Force | 330 N 74.187 lbf |
| Connector Retention Torque | 0.56 N-m 4.956 in lb |

400APNM-C

| | |
|--|------------------------|
| Coupling Nut Proof Torque | 1.7 N-m 15.046 in lb |
| Coupling Nut Proof Torque Method | IEC 61169-16:9.3.6 |
| Coupling Nut Retention Force | 450 N 101.164 lbf |
| Coupling Nut Retention Force Method | IEC 61169-16:9.3.11 |
| Interface Durability | 500 cycles |
| Interface Durability Method | IEC 61169-16:9.5 |
| Mechanical Shock Test Method | IEC 60068-2-27 |

Environmental Specifications

| | |
|---|---------------------------------------|
| Operating Temperature | -40 °C to +85 °C (-40 °F to +185 °F) |
| Storage Temperature | -65 °C to +125 °C (-85 °F to +257 °F) |
| Attenuation, Ambient Temperature | 20 °C 68 °F |
| Average Power, Ambient Temperature | 40 °C 104 °F |
| Average Power, Inner Conductor Temperature | 100 °C 212 °F |
| Climatic Sequence Test Method | IEC 60068-1 |
| Corrosion Test Method | IEC 60068-2-11 |
| Damp Heat Steady State Test Method | IEC 60068-2-3 |
| Immersion Depth | 1 m |
| Immersion Test Mating | Mated |
| Immersion Test Method | IEC 60529:2001, IP68 |
| Thermal Shock Test Method | IEC 60068-2-14 |
| Vibration Test Method | IEC 60068-2-6 |

Packaging and Weights

| | |
|--------------------|--------------------|
| Weight, net | 47.08 g 0.104 lb |
|--------------------|--------------------|

Regulatory Compliance/Certifications

| Agency | Classification |
|---------------|---|
| ISO 9001:2015 | Designed, manufactured and/or distributed under this quality management system |
| REACH-SVHC | Compliant as per SVHC revision on www.commscope.com/ProductCompliance |
| ROHS | Compliant |
| UK-ROHS | Compliant |

* Footnotes

400APNM-C

Insertion Loss, typical 0.05√freq (GHz) (not applicable for elliptical waveguide)

Immersion Depth Immersion at specified depth for 24 hours

400BPNM-C



Type N Male for CNT-400 braided cable

Product Classification

| | |
|----------------------|-------------------------|
| Product Type | Braided cable connector |
| Product Brand | CNT® ConQuest® |

General Specifications

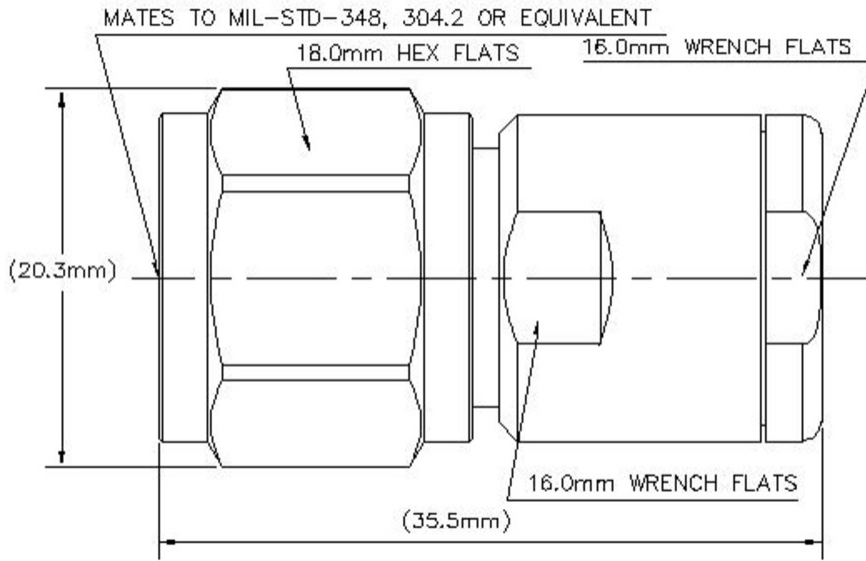
| | |
|--|------------|
| Body Style | Straight |
| Inner Contact Attachment Method | Captivated |
| Inner Contact Plating | Silver |
| Interface | N Male |
| Outer Contact Attachment Method | Clamp |
| Outer Contact Plating | Trimetal |

Dimensions

| | |
|---------------------|---------------------|
| Width | 20.25 mm 0.797 in |
| Length | 35.48 mm 1.397 in |
| Diameter | 20.25 mm 0.797 in |
| Nominal Size | 0.405 in |

Outline Drawing

400BPNM-C



Electrical Specifications

| | |
|---|--------------|
| Insertion Loss, typical | 0.05 dB |
| Cable Impedance | 50 ohm |
| Connector Impedance | 50 ohm |
| dc Test Voltage | 2500 V |
| Inner Contact Resistance, maximum | 1 mOhm |
| Insulation Resistance, minimum | 5000 MOhm |
| Operating Frequency Band | 0 – 6000 MHz |
| Outer Contact Resistance, maximum | 0.25 mOhm |
| Peak Power, maximum | 10 kW |
| RF Operating Voltage, maximum (vrms) | 707 V |

VSWR/Return Loss

| Frequency Band | VSWR | Return Loss (dB) |
|----------------|-------|------------------|
| 0–3000 MHz | 1.046 | 32.96 |
| 3000–6000 MHz | 1.18 | 22 |

Mechanical Specifications

| | |
|--|------------------------|
| Connector Retention Tensile Force | 330 N 74.187 lbf |
| Connector Retention Torque | 0.56 N-m 4.956 in lb |

400BPNM-C

| | |
|--|------------------------|
| Coupling Nut Proof Torque | 1.7 N-m 15.046 in lb |
| Coupling Nut Proof Torque Method | IEC 61169-16:9.3.6 |
| Coupling Nut Retention Force | 450 N 101.164 lbf |
| Coupling Nut Retention Force Method | IEC 61169-16:9.3.11 |
| Interface Durability | 500 cycles |
| Interface Durability Method | IEC 61169-16:9.5 |
| Mechanical Shock Test Method | IEC 60068-2-27 |

Environmental Specifications

| | |
|---|---------------------------------------|
| Operating Temperature | -40 °C to +85 °C (-40 °F to +185 °F) |
| Storage Temperature | -65 °C to +125 °C (-85 °F to +257 °F) |
| Attenuation, Ambient Temperature | 20 °C 68 °F |
| Average Power, Ambient Temperature | 40 °C 104 °F |
| Average Power, Inner Conductor Temperature | 100 °C 212 °F |
| Climatic Sequence Test Method | IEC 60068-1 |
| Corrosion Test Method | IEC 60068-2-11 |
| Damp Heat Steady State Test Method | IEC 60068-2-3 |
| Immersion Depth | 1 m |
| Immersion Test Mating | Mated |
| Immersion Test Method | IEC 60529:2001, IP68 |
| Thermal Shock Test Method | IEC 60068-2-14 |
| Vibration Test Method | IEC 60068-2-6 |

Packaging and Weights

| | |
|--------------------|--------------------|
| Weight, net | 37.55 g 0.083 lb |
|--------------------|--------------------|

Regulatory Compliance/Certifications

| Agency | Classification |
|---------------|--|
| CHINA-ROHS | Below maximum concentration value |
| ISO 9001:2015 | Designed, manufactured and/or distributed under this quality management system |
| REACH-SVHC | Compliant as per SVHC revision on www.commscope.com/ProductCompliance |
| ROHS | Compliant |
| UK-ROHS | Compliant |

400BPNM-C



* Footnotes

Insertion Loss, typical 0.05√freq (GHz) (not applicable for elliptical waveguide)

Immersion Depth Immersion at specified depth for 24 hours

CNT-400-FR



CNT-400-FR, CNT® 50 Ohm Braided Coaxial Cable, black non-halogenated, fire retardant polyolefin jacket, Dca s2 d2 Compliant

Product Classification

| | |
|-----------------------|-----------------------|
| Product Type | Braided coaxial cable |
| Product Brand | CNT® |
| Product Series | CNT-400 |

General Specifications

| | |
|-----------------------|---------|
| Braid Coverage | 90 % |
| Cable Type | CNT-400 |
| Jacket Color | Black |

Dimensions

| | |
|---------------------------------|---------------------|
| Diameter Over Dielectric | 7.24 mm 0.285 in |
| Diameter Over Jacket | 10.29 mm 0.405 in |
| Diameter Over Tape | 7.391 mm 0.291 in |
| Inner Conductor OD | 2.74 mm 0.108 in |
| Outer Conductor OD | 8.08 mm 0.318 in |
| Nominal Size | 0.400 in |

Electrical Specifications

| | |
|--|-------------------------------|
| Cable Impedance | 50 ohm |
| Capacitance | 78 pF/m 23.774 pF/ft |
| dc Resistance, Inner Conductor | 4.49 ohms/km 1.369 ohms/kft |
| dc Resistance, Outer Conductor | 5.61 ohms/km 1.71 ohms/kft |
| dc Test Voltage | 2500 V |
| Jacket Spark Test Voltage (rms) | 4000 V |

CNT-400-FR

| | |
|---------------------------------|---------------|
| Maximum Frequency | 16.2 GHz |
| Operating Frequency Band | 30 – 6000 MHz |
| Peak Power | 16 kW |
| Shielding Effectiveness | 90 dB |
| Velocity | 85 % |

Attenuation

| Frequency (MHz) | Attenuation (dB/100 m) | Attenuation (dB/100 ft) |
|------------------------|-------------------------------|--------------------------------|
| 30.0 | 2.49 | 0.76 |
| 50.0 | 3.18 | 0.97 |
| 150.0 | 4.92 | 1.5 |
| 220.0 | 6.23 | 1.9 |
| 450.0 | 8.86 | 2.7 |
| 900.0 | 12.8 | 3.9 |
| 1500.0 | 16.7 | 5.1 |
| 1800.0 | 18.4 | 5.6 |
| 2000.0 | 19.4 | 5.9 |
| 2400.0 | 21.65 | 6.6 |
| 2500.0 | 22 | 6.7 |
| 3000.0 | 24.6 | 7.5 |
| 4000.0 | 28.87 | 8.8 |
| 4500.0 | 30.84 | 9.4 |
| 5000.0 | 32.81 | 10 |
| 5200.0 | 33.46 | 10.2 |
| 5500.0 | 34.78 | 10.6 |
| 5800.0 | 35.76 | 10.9 |
| 6000.0 | 36.42 | 11.1 |

Material Specifications

| | |
|---------------------------------|--|
| Braid Material | Tinned copper |
| Dielectric Material | Foam PE |
| Jacket Material | Non-halogenated, fire retardant polyolefin |
| Inner Conductor Material | Copper-clad aluminum wire |
| Shield Tape Material | Aluminum |

CNT-400-FR

Mechanical Specifications

| | |
|---|--------------------------|
| Minimum Bend Radius, single Bend | 25.4 mm 1 in |
| Tensile Strength | 73 kg 160.937 lb |
| Bending Moment | 0.7 N-m 6.196 in lb |
| Flat Plate Crush Strength | 0.7 kg/mm 39.198 lb/in |

Environmental Specifications

| | |
|---|--------------------------------------|
| Installation temperature | -40 °C to +60 °C (-40 °F to +140 °F) |
| Operating Temperature | -40 °C to +60 °C (-40 °F to +140 °F) |
| Storage Temperature | -40 °C to +60 °C (-40 °F to +140 °F) |
| EN50575 CPR Cable EuroClass Fire Performance | Dca |
| EN50575 CPR Cable EuroClass Smoke Rating | s2 |
| EN50575 CPR Cable EuroClass Droplets Rating | d2 |
| Fire Retardancy Test Method | UL VW1/CATVX |
| Smoke Index Test Method | IEC 61034 |
| Toxicity Index Test Method | IEC 60754-2 |

Packaging and Weights

| | |
|-----------------------|-------------------------|
| Cable weight | 0.07 kg/m 0.047 lb/ft |
| Packaging Type | Reel |

Regulatory Compliance/Certifications

| Agency | Classification |
|---------------|--|
| CENELEC | EN 50575 compliant, Declaration of Performance (DoP) available |
| CHINA-ROHS | Below maximum concentration value |
| ISO 9001:2015 | Designed, manufactured and/or distributed under this quality management system |
| REACH-SVHC | Compliant as per SVHC revision on www.commscope.com/ProductCompliance |
| ROHS | Compliant |
| UK-ROHS | Compliant |

