

# APTDC-BDFDM-DBW

---



Arrestor Plus® Dual Band Quarterwave dc Passing Surge Arrestor (T-shaped) for LTE frequencies, with interface types DIN Female Bulkhead and DIN Male

**OBSOLETE**

## Product Classification

<b>Product Type</b>	Surge arrester
<b>Product Brand</b>	Arrestor Plus®
<b>Ordering Note</b>	CommScope® standard product in the United States and Canada

## General Specifications

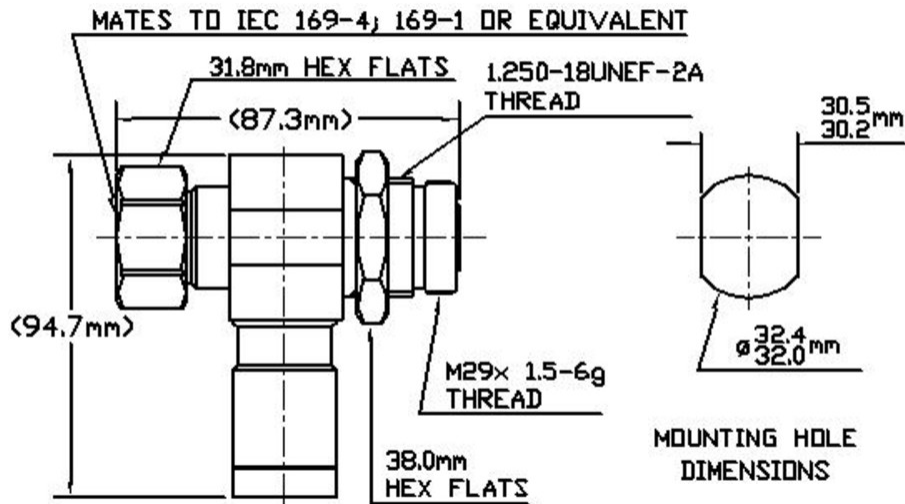
<b>Device Type</b>	dc Pass
<b>Body Style</b>	Bulkhead
<b>Inner Contact Plating</b>	Silver
<b>Interface</b>	7-16 DIN Female Bulkhead
<b>Interface 2</b>	7-16 DIN Male
<b>Outer Contact Plating</b>	Trimetal
<b>Pressurizable</b>	No

## Dimensions

<b>Height</b>	88 mm   3.465 in
<b>Width</b>	42 mm   1.654 in
<b>Length</b>	88 mm   3.465 in

## Outline Drawing

# APTDC-BDFDM-DBW



## Electrical Specifications

<b>3rd Order IMD</b>	-117 dBm
<b>3rd Order IMD Test Method</b>	Two +43 dBm carriers
<b>Insertion Loss, typical</b>	0.07 dB
<b>Average Power</b>	3000 W
<b>Connector Impedance</b>	50 ohm
<b>dc Current, continuous</b>	3 A
<b>Gas Tube Voltage</b>	90 V
<b>Lightning Surge Capability</b>	10 times @ 30 kA
<b>Lightning Surge Capability Test Method</b>	IEEE C62.42-1991
<b>Lightning Surge Capability Waveform</b>	8/20 waveform
<b>Lightning Surge Current</b>	30 kA
<b>Lightning Surge Current Waveform</b>	8/20 waveform
<b>Operating Frequency Band</b>	698 – 2200 MHz
<b>Peak Instantaneous Power (PIP)</b>	25 kW RF
<b>Peak Power, maximum</b>	40 kW
<b>Throughput Energy</b>	250 μJ
<b>Throughput Voltage</b>	50 V

# APTDC-BDFDM-DBW

---

## VSWR/Return Loss

Frequency Band	VSWR	Return Loss (dB)
1.0–1.5 MHz	1.135	23.98
2.0–2.3 MHz	1.135	23.98
698–806 MHz	1.135	23.98
806–960 MHz	1.106	25.96
1710–2200 MHz	1.106	25.96

## Mechanical Specifications

<b>Coupling Nut Proof Torque</b>	220 in lb   24.857 N-m
<b>Coupling Nut Retention Force</b>	1,000.85 N   225 lbf
<b>Coupling Nut Retention Force Method</b>	MIL-C-39012C-3.25, 4.6.22
<b>Interface Durability</b>	500 cycles
<b>Interface Durability Method</b>	IEC 61169-16:9.5
<b>Mechanical Shock Test Method</b>	MIL-STD-202F, Method 213B, Test Condition C

## Environmental Specifications

<b>Operating Temperature</b>	-40 °C to +100 °C (-40 °F to +212 °F)
<b>Storage Temperature</b>	-70 °C to +150 °C (-94 °F to +302 °F)
<b>Attenuation, Ambient Temperature</b>	20 °C   68 °F
<b>Average Power, Ambient Temperature</b>	40 °C   104 °F
<b>Corrosion Test Method</b>	MIL-STD-202, Method 101, Test Condition B
<b>Immersion Depth</b>	1 m
<b>Immersion Test Mating</b>	Mated
<b>Immersion Test Method</b>	IEC 60529:2001, IP68
<b>Moisture Resistance Test Method</b>	MIL-STD-202, Method 106
<b>Thermal Shock Test Method</b>	MIL-STD-202, Method 107, Test Condition A-1, Low Temperature -55 °C
<b>Water Jetting Test Mating</b>	Mated

## Packaging and Weights

<b>Weight, net</b>	0.599 kg   1.32 lb
--------------------	--------------------

# APTDC-BDFDM-DBW

---

## Regulatory Compliance/Certifications

Agency	Classification
AISG	Compliant
ISO 9001:2015	Designed, manufactured and/or distributed under this quality management system



### \* Footnotes

<b>Insertion Loss, typical</b>	0.05√freq (GHz) (not applicable for elliptical waveguide)
<b>Immersion Depth</b>	Immersion at specified depth for 24 hours