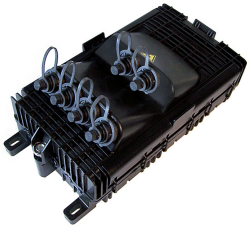


OTE-06MX-NN-EXTG03



Mini-OTE 300-Series, Optical Terminal Enclosure, 6-port mini-size (DLX®) connector, no splitter, black, with grounding, external mounting

- Hardened connectors are factory-terminated and environmentally sealed for use in optical drop cable deployments
- Plug and play adapter ports ensure rapid cable installment in the outside plant access section of the network
- Optical Terminal Enclosures incorporate hardened connector technology that is designed to withstand the rugged outside plant environment
- Accommodates CommScope's field installable splitters and compact CWDMs

Product Classification

Regional Availability	Asia EMEA Latin America North America
Product Type	Access terminal, without splitter/tap
Product Brand	DLX®
Product Series	Mini-OTE 300

General Specifications

Application	For central core tube ribbon shielded/unshielded fiber cable For flat drop with/without trace wire fiber cable For loose buffer tube standard (72 F) and micro (144 F) fiber cable For round armored up to 0.50 in/12.7 mm diameter fiber cable
Cable Type	No cable (stubless)
Cable, quantity	0
Distribution Type	6 ports
Enclosure Color	Black
Mounting	Handhole Pedestal Pole Strand
Port Type	Hardened mini-size DLX
Port, quantity	6
Splitter, quantity	0
Stub Type	No tail

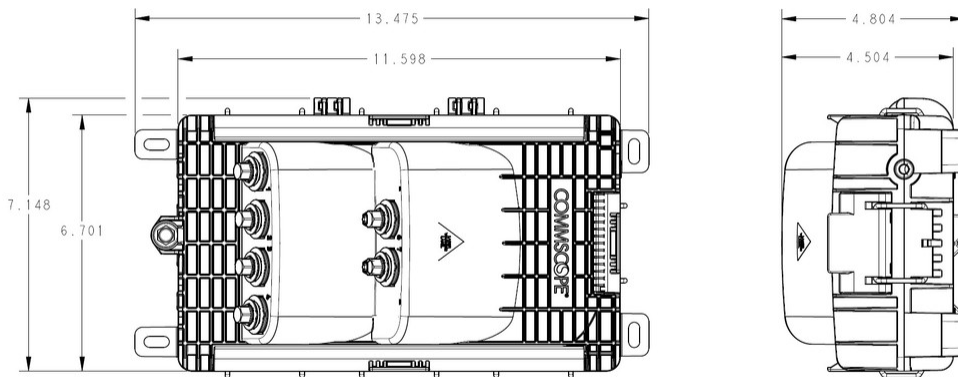
Dimensions

Height	342.9 mm 13.5 in
Width	182.88 mm 7.2 in

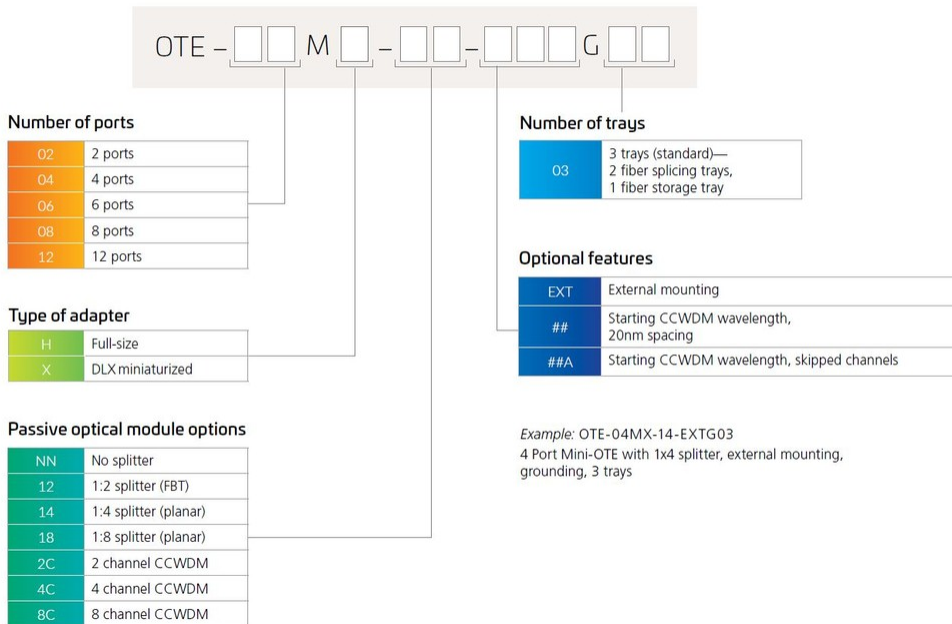
OTE-06MX-NN-EXTG03

Depth 121.92 mm | 4.8 in
Cable Length, stub 0 ft (0 m)

Dimension Drawing



Ordering Tree



Material Specifications

Enclosure Material Type Engineered plastic

OTE-06MX-NN-EXTG03

Optical Specifications

Operating Wavelength Range	1260 – 1635 nm
Attenuation Terminal Connectors, maximum	0.4 dB
Insertion Loss, Terminal Connector, typical	0.16 dB
Return Loss, Connector, minimum	65 dB

Environmental Specifications

Operating Temperature	-40 °C to +60 °C (-40 °F to +140 °F)
Relative Humidity	5%–100%, condensing
Environmental Space	Above ground Below ground Buried
Qualification Standard Note	See test report CTR-1016 for details and exceptions
Qualification Standards	IEC 60529, IP68 + 2 m waterhead Telcordia GR-771-CORE
UV Resistance	UV stabilized

Packaging and Weights

Included	Enclosure (1) Gel-sealed input ports for butt applications (4) Gel-sealed input ports for inline applications (1) Integrated slack storage tray (1) Integrated splice tray (2) Pedestal mounting hardware (1)
Packaging quantity	1
Packaging Type	Box Carton
Weight, without cable	2.95 kg 6.504 lb

Regulatory Compliance/Certifications

Agency	Classification
CHINA-ROHS	Below maximum concentration value
ISO 9001:2015	Designed, manufactured and/or distributed under this quality management system
REACH-SVHC	Compliant as per SVHC revision on www.commscope.com/ProductCompliance
ROHS	Compliant
UK-ROHS	Compliant



Included Products

760242289 – Mini-OTE 300-Series, Optical Terminal Pole Cable Retention

OTE-06MX-NN-EXTG03

OTE-M-CABLERET

Kit



Mini-OTE 300-Series, Optical Terminal Pole Cable Retention Kit

Product Classification

Regional Availability	North America
Product Type	Mounting bracket
Product Series	Mini-OTE 300

Environmental Specifications

Environmental Space	Outdoor
----------------------------	---------

Packaging and Weights

Packaging quantity	5
Packaging Type	Bag Carton