

521266-000 | FIST-GC02-BD16-GN



FIST® GC02 Fiber Optic Splice Closure, Heat Shrink or Gold Gel Cable sealing, size BD, no pre-installed fiber trays, 16 round ports + 1 oval port

- Single-ended, O-ring sealed dome closure for splicing feeder and distribution cables
- Compatible with most common cable types: e.g. loose tube, central core, ribbon fiber
- Universal mounting system (UMS) profiles provide foundation for mounting combinations of FIST splice trays
- Closure can be used in aerial, pedestal and underground (up to 5 meters) environments
- Compatible with CommScope's CWDM modules and optical splitter trays

Product Classification

| | |
|------------------------------|-----------------------------------|
| Regional Availability | EMEA |
| Product Type | Single-ended, round fiber closure |
| Product Brand | FIST® |
| Product Series | FIST-GC02 |

General Specifications

| | |
|--|---|
| Cable Entry Drop Port Style | Round |
| Cable Entry Main Port Style | Oval |
| Cable Ports Quantity, total | 1 oval port (2 cables) + 16 round ports |
| Cable Sealing Type | Gel kit (optional) Heat shrink |
| Closure Sealing Type | Dome-to-base clamp with O-ring |
| Closure Style | Single-ended |
| Color | Black |
| Mounting | Pole Strand Wall |
| Network Area Type | Distribution |
| Splice Tray Included, quantity | 0 |
| Splicing Capacity, Mass Fusion, maximum | 1440 |
| Splicing Capacity, Single Fusion, maximum | 960 |
| Splicing Type, Supported | Mass fusion Single fusion |

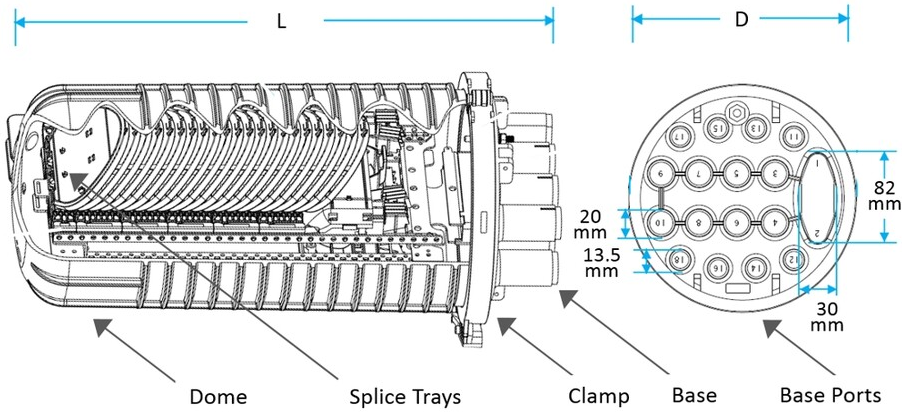
Dimensions

| | |
|---------------------------------------|--------------------|
| Length | 566 mm 22.283 in |
| Cable Entry Drop Port Diameter | 20 mm 0.787 in |

521266-000 | FIST-GCO2-BD16-GN

| | |
|-------------------------------------|-------------------|
| Diameter | 247 mm 9.724 in |
| Diameter, with clamp | 285 mm 11.22 in |
| Main Cable Diameter, maximum | 25 mm 0.984 in |

Dimension Drawing



| | FIST-GCO2-BC | FIST-GCO2-BD | FIST-GCO2-BE | FIST-GCO2-BF |
|-----------------------------------|------------------|------------------|------------------|-----------------|
| Length L | 488 mm/19.213 in | 566 mm/22.283 in | 680 mm/26.772 in | 795 mm/31.30 in |
| Width D at base | 247 mm/9.724 in | 247 mm/9.724 in | 247 mm/9.724 in | 247 mm/9.724 in |
| Width D at base with clamp | 285 mm/11.22 in | 285 mm/11.22 in | 285 mm/11.22 in | 285 mm/11.22 in |

Port Configuration

| | Cables per port | Cable Diameter, min | Cable Diameter, max |
|-----------------------|-----------------|---------------------|---------------------|
| 1 Oval Port | 2 | 12 mm / 0.472 in | 25 mm / 0.984 in |
| 16 Round Ports | 1 | 5 mm / 0.197 in | 20 mm / 0.787 in |

Splicing Configuration

| | FIST-GCO2-BC | FIST-GCO2-BD | FIST-GCO2-BE | FIST-GCO2-BF |
|---|--------------|--------------|--------------|--------------|
| UMS Units | 2x28 | 2x42 | 2x58 | 2x64 |
| # SC/SLE 4mm trays | 56 | 80 | 112 | 128 |
| # SE 8mm trays | 28 | 40 | 56 | 64 |
| # R12 12mm Flat ribbon trays | 18 | 26 | 36 | 42 |
| Max single splice capacity SC trays (4F/tray) | 224 | 320 | 448 | 512 |
| Max single splice capacity SE trays (12F/SE) | 336 | 480 | 672 | 768 |
| Max single splice capacity High dense tray (12F/SLE) | 672 | 960 | 1344 | 1536 |
| Max mass splice capacity R12 trays (Flat ribbon) | 432 | 624 | 864 | 1008 |
| Max mass splice capacity SE trays (Rollable ribbon G657A2 fiber) | 1008 | 1440 | 1728 | 1728 |

521266-000 | FIST-GCO2-BD16-GN

Ordering Tree

FIST-GCO2- _____ - _____

Closure size

| | |
|----|----------------------------------|
| BC | 488 mm long with (2) 28 unit UMS |
| BD | 566 mm long with (2) 42 unit UMS |
| BE | 680 mm long with (2) 58 unit UMS |
| BF | 795 mm long with (2) 64 unit UMS |

Number of ports

| | | |
|----|-------------|---------------------------------------|
| 6 | Round ports | (6 : ø 30) + 1 oval port |
| 8 | Round ports | (8 : ø 30) + 2 oval ports |
| 16 | Round ports | (8 : ø 20) + 1 oval port (8 : ø 13.5) |

Flash test valve

| | |
|---|--------------------------------|
| V | Pre-installed flash test valve |
| N | No flash test valve |

Ground feed-through

| | |
|---|----------------------------------|
| G | Pre-installed ground feedthrough |
| N | No ground feedthrough |

Material Specifications

Material Type

Impact-resistant polymer

Environmental Specifications

Environmental Space

Below ground | Buried

Qualification Standards

IEC 61300, 5 m waterhead

Packaging and Weights

Packaging quantity

1

Packaging Type

Box | Carton

Weight, net

4.4 kg | 9.7 lb

Regulatory Compliance/Certifications

Agency

Classification

CHINA-ROHS

Below maximum concentration value

ISO 9001:2015

Designed, manufactured and/or distributed under this quality management system

REACH-SVHC

Compliant as per SVHC revision on www.commscope.com/ProductCompliance

ROHS

Compliant

