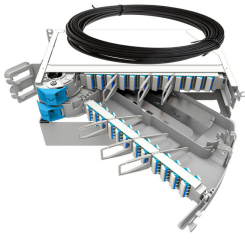


# 760241910 | MFPS-JHD-P-CRS1-096-30-OK



MFPS Fiber Optic panel, 2RU, 96 fibers/RU, pre-cabled I/O LSZH, 30m, front patch cords orientation to the left, 96 SC/UPC, grade C

- Supplied with connectorized cables from 48F up to 96F, and a stub on the far end (10, 20 or 30m)
- Suitable for cabinets and POP locations
- Supports patch cord diameters of 1.2 to 2.4mm (XD-series require the usage of 1.2mm patch cords)

## Product Classification

<b>Regional Availability</b>	EMEA
<b>Portfolio</b>	CommScope®
<b>Product Type</b>	Fiber patch panel, with indoor/outdoor cable
<b>Product Series</b>	MFPS

## General Specifications

<b>Functionality</b>	Patching
<b>Cable Exit Location</b>	Side
<b>Cable Stub Type</b>	Indoor/outdoor, stranded
<b>Color</b>	Gray
<b>Door Type, front</b>	Compression latch   Hinged
<b>Growth Configuration</b>	Fully loaded
<b>Interface, front</b>	SC/UPC
<b>Interface, rear</b>	Stub tail
<b>Patch Cord Entry Location</b>	Front, left side
<b>Patch Cord Routing</b>	Left sided
<b>Rack Type</b>	EIA 19 in   ETSI 600 mm
<b>Rack Units</b>	2
<b>Shelf Movement</b>	Hinged
<b>Total Ports, quantity</b>	96
<b>Transmission Standards</b>	ETSI EN 300 019-1-3   IEC 61300-3-34

## Dimensions

<b>Height</b>	88.9 mm   3.5 in
---------------	------------------

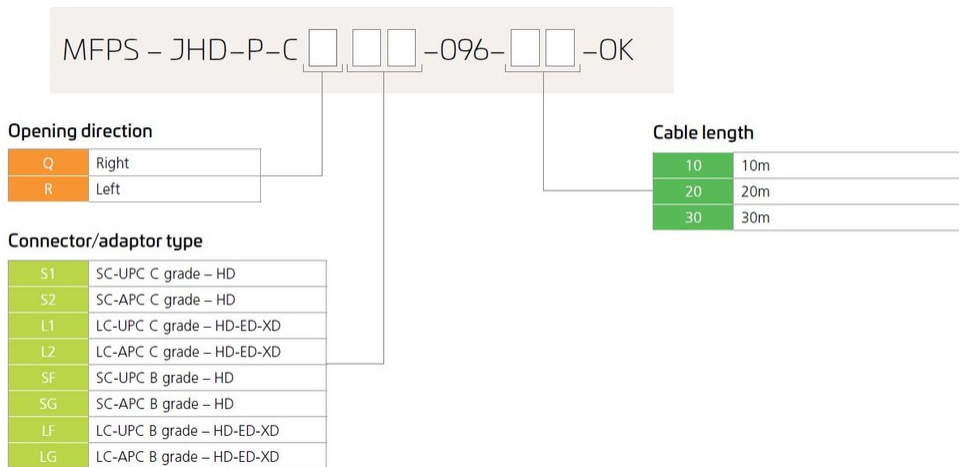
# 760241910 | MFPS-JHD-P-CRS1-096-30-OK

<b>Width</b>	482.6 mm   19 in
<b>Depth</b>	279.91 mm   11.02 in
<b>Cable Length</b>	30 m   98.425 ft

## Port Configuration

MFPS Capacities		48		72	96
Connector Type		SC	LC	LC	LC Adapter Pack
19 inch	1HU	48	48	72	96
	2HU	96	96		
	2.8 HU				

## Ordering Tree



## Material Specifications

<b>Finish</b>	Powder coated
<b>Material Type</b>	Ethylene-propylene (EP)   Polyethylene terephthalate (PET)

## Optical Specifications

# 760241910 | MFPS-JHD-P-CRS1-096-30-OK

<b>Fiber Mode</b>	Singlemode
<b>Fiber Type</b>	G.657.A1
<b>Performance Grade</b>	Standard C grade

## Environmental Specifications

<b>Operating Temperature</b>	-40 °C to +70 °C (-40 °F to +158 °F)
<b>Storage Temperature</b>	-20 °C to +85 °C (-4 °F to +176 °F)
<b>EN50575 CPR Cable EuroClass Fire Performance</b>	Dca
<b>Flammability Rating</b>	UL 94 V-0

## Packaging and Weights

<b>Included</b>	Mounting hardware   One cable termination kit
<b>Packaging quantity</b>	1

## Regulatory Compliance/Certifications

<b>Agency</b>	<b>Classification</b>
CHINA-ROHS	Above maximum concentration value
ISO 9001:2015	Designed, manufactured and/or distributed under this quality management system
REACH-SVHC	Compliant as per SVHC revision on <a href="http://www.commscope.com/ProductCompliance">www.commscope.com/ProductCompliance</a>
ROHS	Compliant/Exempted
UK-ROHS	Compliant/Exempted



## \* Footnotes

<b>Performance Grade</b>	Guarantee to meet IEC 61755-1 Random Mating requirement
--------------------------	---