

FL1-H2JNNNNN-0100N



FL1000 Fiber Wall Box, 2-door, singlemode SC/APC, 24-ports, adapters only, 1 compression fitting

- Ideal for small to medium fiber counts within communication rooms or closets at customer sites
- Provides demarcation access for the telecom carrier and the end-user by way of separate compartments
- Guarantees mechanical protection and fiber management for indoor and outdoor cable
- Fully customizable for patch-patch, splice-patch or for the storage of un-terminated (dark) fibers

Product Classification

Regional Availability	North America
Product Type	Fiber wall box
Product Series	FL1000

General Specifications

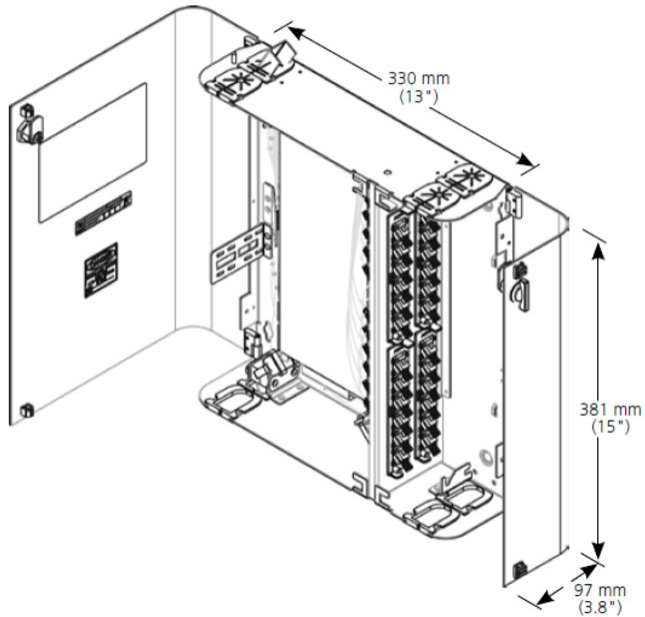
Application	Patching Splicing
Adapter Packs Included, quantity	1
Adapters, quantity	6
Cable Compression Fittings, quantity	1
Cable Entry Location	Bottom left Bottom right Top left Top right
Color	Putty white
Door, quantity	2
Front Door Type	Single hinged
Growth Configuration	Partially loaded
Interface	SC/APC
Mounting	Wall
Total Ports, quantity	6

Dimensions

Height	590 mm 23.228 in
Width	551 mm 21.693 in
Depth	156.97 mm 6.18 in

Outline Drawing

FL1-H2JN>NNNN-0100N



Material Specifications

Finish	Powder coated
Material Type	Steel

Optical Specifications

Fiber Mode	Singlemode
-------------------	------------

Environmental Specifications

Environmental Space	Indoor
Qualification Standards	NEMA type 12

Packaging and Weights

Packaging quantity	1
Packaging Type	Bag Carton

Regulatory Compliance/Certifications

Agency	Classification
CHINA-ROHS	Below maximum concentration value
REACH-SVHC	Compliant as per SVHC revision on www.commscope.com/ProductCompliance

FL1-H2JNNNNN-0100N

ROHS Compliant
UK-ROHS Compliant

