

# 760245059 | BUDI-M-TS2FPS32G-0300



BUDI™ Fiber Optic Wall mount Enclosure, Pre-terminated version with 1x32 FPS splitter module and 300ft I/O OFNR cable stub

- Compact, wall mountable fiber enclosures for indoor and outdoor use
- Specifically designed for fast FTTH deployment and easy customer connection
- Available with splicing (FIST) and/or patching and/or splitter combinations
- Multiple and modular wrap around cable port sealing options

## Product Classification

<b>Regional Availability</b>	North America
<b>Product Type</b>	Fiber wall box
<b>Product Brand</b>	BUDI™
<b>Product Series</b>	BUDI-M

## General Specifications

<b>Functionality</b>	Patching   Splicing   Splitting
<b>Access</b>	Front
<b>Application</b>	Splitting
<b>Cable Entry Location</b>	Bottom
<b>Cable Type</b>	Indoor - Ribbon
<b>Distribution Type</b>	1 x 32 splitter
<b>Enclosure Color</b>	Gray
<b>Front Cover Type</b>	Snap-on cover
<b>Interface</b>	SC/APC
<b>Mounting</b>	Wall
<b>Port, quantity</b>	90
<b>Splicing Capacity, maximum</b>	24
<b>Splicing Type, Supported</b>	Mass fusion
<b>Split Ratio</b>	Symmetrical
<b>Splitter, quantity</b>	1

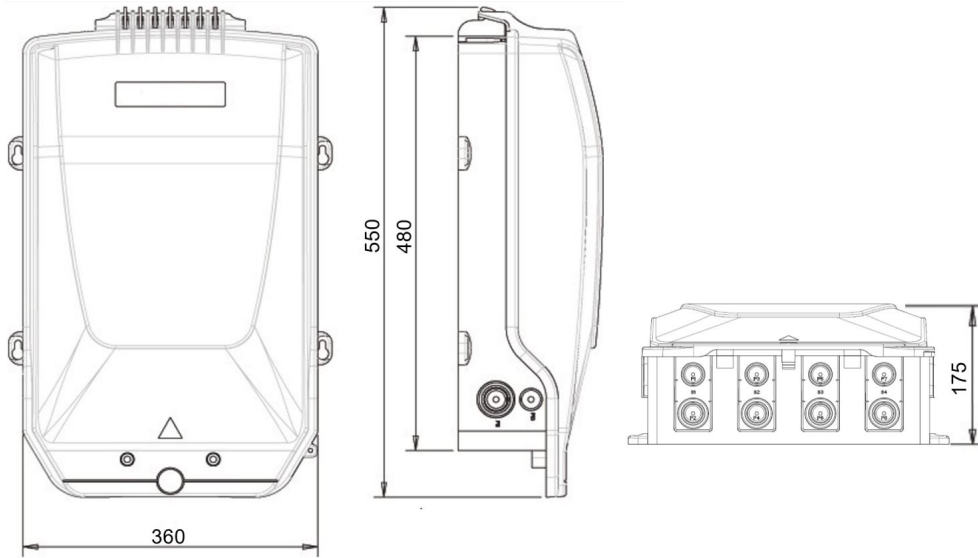
## Dimensions

<b>Height</b>	480 mm   18.898 in
---------------	--------------------

# 760245059 | BUDI-M-TS2FPS32G-0300

<b>Height, with cover</b>	550 mm   21.654 in
<b>Width</b>	360 mm   14.173 in
<b>Depth</b>	175 mm   6.89 in
<b>Cable Length</b>	91.44 m   300 ft

## Dimension Drawing



## Material Specifications

<b>Enclosure Material Type</b>	LSZH thermoplastic
--------------------------------	--------------------

## Optical Specifications

<b>Fiber Mode</b>	Singlemode
-------------------	------------

## Environmental Specifications

<b>Environmental Space</b>	Indoor/Outdoor
<b>Qualification Standards</b>	IEC 60529, IP54   IEC 61753-1, category G   Telcordia GR-2898-CORE

## Packaging and Weights

<b>Included</b>	Cable seal   Splice tray
<b>Packaging quantity</b>	1
<b>Packaging Type</b>	Box   Carton

## Regulatory Compliance/Certifications

<b>Agency</b>	<b>Classification</b>
CHINA-ROHS	Above maximum concentration value
ROHS	Compliant/Exempted
UK-ROHS	Compliant/Exempted

