

# RDT-SM04J00P0309A



RapidFiber® Mini-RDT Distribution Terminal, 4-fiber, SC/APC, plenum cable, 100 ft

- Designed to provide a quick and simple solution for installing fiber in small and medium sized MDU's
- Incorporates a unique fiber cable spooling system that stores up fiber cable within the enclosure
- Removes the need for field termination and extensive site survey inspections

## Product Classification

|                              |                             |
|------------------------------|-----------------------------|
| <b>Regional Availability</b> | North America               |
| <b>Product Type</b>          | Fiber distribution terminal |
| <b>Product Brand</b>         | RapidFiber®                 |
| <b>Product Series</b>        | Mini-RDT                    |

## General Specifications

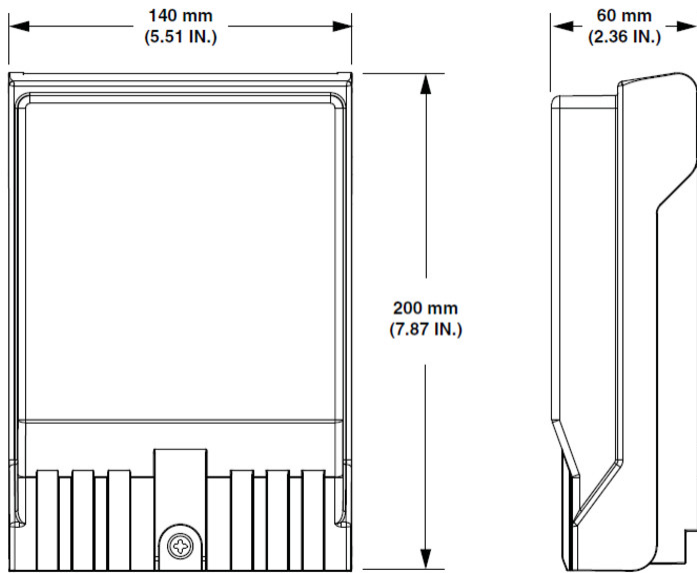
|                             |                            |
|-----------------------------|----------------------------|
| <b>Adapters, quantity</b>   | 4                          |
| <b>Cable Entry Location</b> | Bottom left   Bottom right |
| <b>Cable Type</b>           | Plenum - Stranded          |
| <b>Color</b>                | Gray                       |
| <b>Interface</b>            | SC/APC                     |
| <b>Interface, stub</b>      | MPO                        |
| <b>Mounting</b>             | Wall                       |
| <b>Port, quantity</b>       | 4                          |

## Dimensions

|                             |                   |
|-----------------------------|-------------------|
| <b>Height</b>               | 200 mm   7.874 in |
| <b>Width</b>                | 140 mm   5.512 in |
| <b>Depth</b>                | 60 mm   2.362 in  |
| <b>Cable Length</b>         | 30.48 m   100 ft  |
| <b>Outer Cable Diameter</b> | 3 mm   0.118 in   |

## Dimension Drawing

# RDT-SM04J00P0309A



## Ordering Tree

RDT - S M XX X 0 0 X XXX X X

### Enclosure type

M 12 Fiber plastic

### Cable count

04 4  
08 8  
12 12

### Connector type

J SC/APC  
K LC/UPC  
L LC/APC  
N SC/UPC

### Cable type

D Indoor/outdoor 3.6mm black  
P 3mm loose tube ivory plenum (zipcord for 24 fibers)

### Stubbed end configuration

A MPO connector  
O No connector

### Fanout

1 SC/UPC  
2 SC/APC  
3 LC/UPC  
4 LC/APC

### Enclosure end configuration

9 900µm - standard

### Cable Length (Plenum)

|     |                   |
|-----|-------------------|
| 030 | 30 meters (100')  |
| 061 | 61 meters (200')  |
| 092 | 92 meters (300')  |
| 122 | 122 meters (400') |
| 152 | 152 meters (500') |
| 183 | 183 meters (600') |

### Cable Length (Indoor/Outdoor)

|     |                   |
|-----|-------------------|
| 015 | 15 meters (50')   |
| 030 | 30 meters (100')  |
| 045 | 45 meters (150')  |
| 061 | 61 meters (200')  |
| 076 | 76 meters (250')  |
| 092 | 92 meters (300')  |
| 107 | 107 meters (350') |
| 122 | 122 meters (400') |
| 137 | 137 meters (450') |
| 152 | 152 meters (500') |
| 168 | 168 meters (550') |
| 183 | 183 meters (600') |
| 198 | 198 meters (650') |

# RDT-SM04J00P0309A

---

## Material Specifications

**Material Type** Plastic

## Optical Specifications

**Fiber Mode** Singlemode

## Environmental Specifications

**Environmental Space** Indoor

## Packaging and Weights

**Packaging quantity** 1

## Regulatory Compliance/Certifications

| <b>Agency</b> | <b>Classification</b>  |
|---------------|--|
| CHINA-ROHS    | Above maximum concentration value  |
| REACH-SVHC    | Compliant as per SVHC revision on <a href="http://www.commscope.com/ProductCompliance">www.commscope.com/ProductCompliance</a> |
| ROHS          | Compliant/Exempted   |
| UK-ROHS       | Compliant  |

