

EH1646-000 | BUDI-1S-T-A-12S116ES



BUDI™ Fiber Optic Wall mount Enclosure, 12 SC/UPC adapters, single element FIST splice trays for 16 SMOUV splices

- Compact, wall mountable fiber enclosures for indoor and outdoor use
- Specifically designed for fast FTTH deployment and easy customer connection
- Available with splicing (FIST) and/or patching and/or splitter combinations
- Multiple and modular wrap around cable port sealing options

Product Classification

| | |
|------------------------------|----------------|
| Regional Availability | EMEA |
| Product Type | Fiber wall box |
| Product Brand | BUDI™ |
| Product Series | BUDI-1S |

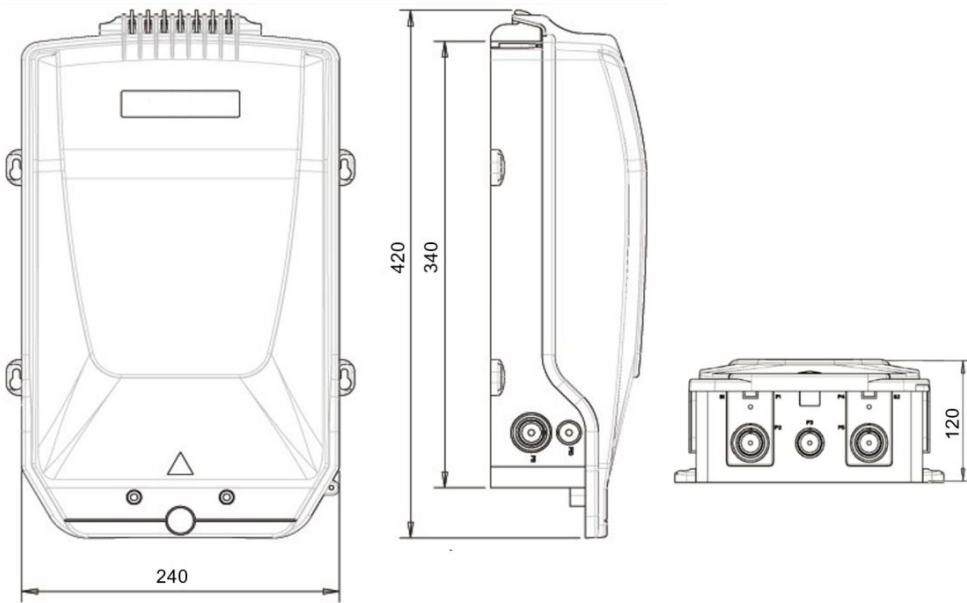
General Specifications

| | |
|-----------------------------------|---------------------|
| Functionality | Patching Splicing |
| Access | Front |
| Enclosure Color | Gray |
| Front Cover Type | Snap-on cover |
| Interface | SC/UPC |
| Lock Type | Key lock |
| Mounting | Wall |
| Port, quantity | 12 |
| Splice Tray Construction | SE (Single element) |
| Splicing Capacity, maximum | 48 |

Dimensions

| | |
|---------------------------|--------------------|
| Height | 340 mm 13.386 in |
| Height, with cover | 420 mm 16.535 in |
| Width | 240 mm 9.449 in |
| Depth | 120 mm 4.724 in |

Dimension Drawing



Material Specifications

Enclosure Material Type LSZH thermoplastic

Optical Specifications

Fiber Mode Singlemode

Environmental Specifications

Environmental Space Indoor/Outdoor

Qualification Standards IEC 60529, IP54 | IEC 61753-1, category G

Packaging and Weights

Packaging quantity 1

Packaging Type Box | Carton

Regulatory Compliance/Certifications

| Agency | Classification |
|------------|-----------------------------------|
| CHINA-ROHS | Above maximum concentration value |
| ROHS | Compliant/Exempted |
| UK-ROHS | Compliant/Exempted |

