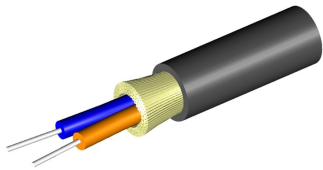


# 760145300 | Z-002-IC-5L-F29BK

---



Fiber indoor/outdoor cable, LazrSPEED® Indoor/Outdoor Low Smoke Zero Halogen Riser Interconnect, 2-fiber, Multimode OM3, Gel-free, Feet jacket marking, Black jacket color

## Product Classification

<b>Regional Availability</b>	Asia   Australia/New Zealand   EMEA   Latin America   North America
<b>Portfolio</b>	CommScope®
<b>Product Type</b>	Fiber indoor/outdoor cable
<b>Product Series</b>	Z-IC

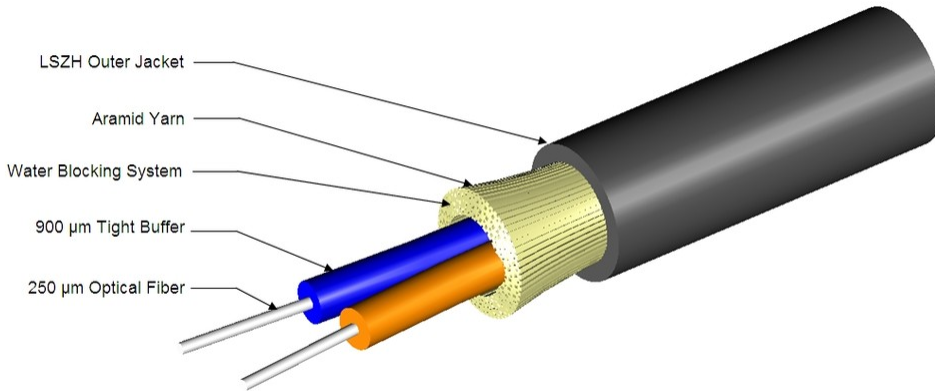
## General Specifications

<b>Cable Type</b>	Cordage
<b>Construction Type</b>	Non-armored
<b>Subunit Type</b>	Gel-free
<b>Jacket Color</b>	Black
<b>Jacket Marking</b>	Feet
<b>Total Fiber Count</b>	2

## Dimensions

<b>Diameter Over Jacket</b>	2.9 mm   0.114 in
-----------------------------	-------------------

## Representative Image



## Mechanical Specifications

<b>Minimum Bend Radius, loaded</b>	50 mm   1.969 in
<b>Minimum Bend Radius, unloaded</b>	30 mm   1.181 in
<b>Tensile Load, long term, maximum</b>	93 N   20.907 lbf
<b>Tensile Load, short term, maximum</b>	311 N   69.916 lbf
<b>Compression</b>	10 N/mm   57.101 lb/in
<b>Compression Test Method</b>	FOTP-41   IEC 60794-1 E3
<b>Flex</b>	300 cycles
<b>Flex Test Method</b>	FOTP-104   IEC 60794-1 E6
<b>Impact</b>	0.74 N-m   6.55 in lb
<b>Impact Test Method</b>	FOTP-25   IEC 60794-1 E4
<b>Strain</b>	See long and short term tensile loads
<b>Strain Test Method</b>	FOTP-33   IEC 60794-1 E1
<b>Twist</b>	10 cycles
<b>Twist Test Method</b>	FOTP-85   IEC 60794-1 E7
<b>Vertical Rise, maximum</b>	500 m   1,640.42 ft

## Optical Specifications

<b>Fiber Type</b>	OM3, LazrSPEED® 300   OM3, LazrSPEED® 300
-------------------	---

## Environmental Specifications

<b>Installation temperature</b>	-30 °C to +60 °C (-22 °F to +140 °F)
<b>Operating Temperature</b>	-40 °C to +70 °C (-40 °F to +158 °F)

# 760145300 | Z-002-IC-5L-F29BK

<b>Storage Temperature</b>	-40 °C to +75 °C (-40 °F to +167 °F)
<b>Cable Qualification Standards</b>	ANSI/ICEA S-83-596   Telcordia GR-20 (water penetration)   Telcordia GR-409
<b>Environmental Space</b>	Low Smoke Zero Halogen (LSZH)   Riser
<b>Flame Test Listing</b>	NEC OFNR-ST1 (ETL) and c(ETL)
<b>Flame Test Method</b>	IEC 60332-3   IEC 60754-2   IEC 61034-2   UL 1666   UL 1685
<b>Jacket UV Resistance</b>	UV stabilized
<b>Water Penetration</b>	24 h
<b>Water Penetration Test Method</b>	FOTP-82   IEC 60794-1 F5

## Environmental Test Specifications

<b>Cable Freeze Test Method</b>	IEC 60794-1 F15
<b>Heat Age</b>	-40 °C to +85 °C (-40 °F to +185 °F)
<b>Heat Age Test Method</b>	IEC 60794-1 F9
<b>Low High Bend</b>	-30 °C to +60 °C (-22 °F to +140 °F)
<b>Low High Bend Test Method</b>	FOTP-37   IEC 60794-1 E11
<b>Temperature Cycle</b>	-40 °C to +70 °C (-40 °F to +158 °F)
<b>Temperature Cycle Test Method</b>	FOTP-3   IEC 60794-1 F1

## Packaging and Weights

<b>Cable weight</b>	7.4 kg/km   4.973 lb/kft
---------------------	--------------------------

## Regulatory Compliance/Certifications

<b>Agency</b>	<b>Classification</b>
CHINA-ROHS	Below maximum concentration value
ISO 9001:2015	Designed, manufactured and/or distributed under this quality management system
REACH-SVHC	Compliant as per SVHC revision on <a href="http://www.commscope.com/ProductCompliance">www.commscope.com/ProductCompliance</a>
ROHS	Compliant
UK-ROHS	Compliant



## Included Products

CS-5L-TB	– LazrSPEED® 300 OM3 Bend-Insensitive Multimode Fiber
----------	---

## \* Footnotes

**Operating Temperature** Specification applicable to non-terminated bulk fiber cable