



Fiber indoor/outdoor cable, TeraSPEED® Plenum Distribution, interlocking aluminum armored with plenum jacket, singlemode /multimode, 72 fiber multi-unit with 12 fiber subunits, Gel-free, Feet jacket marking, Black jacket color

## Product Classification

<b>Regional Availability</b>	Asia   Australia/New Zealand   Latin America   Middle East /Africa   North America
<b>Portfolio</b>	CommScope®
<b>Product Type</b>	Fiber indoor/outdoor cable
<b>Product Series</b>	P-OZ

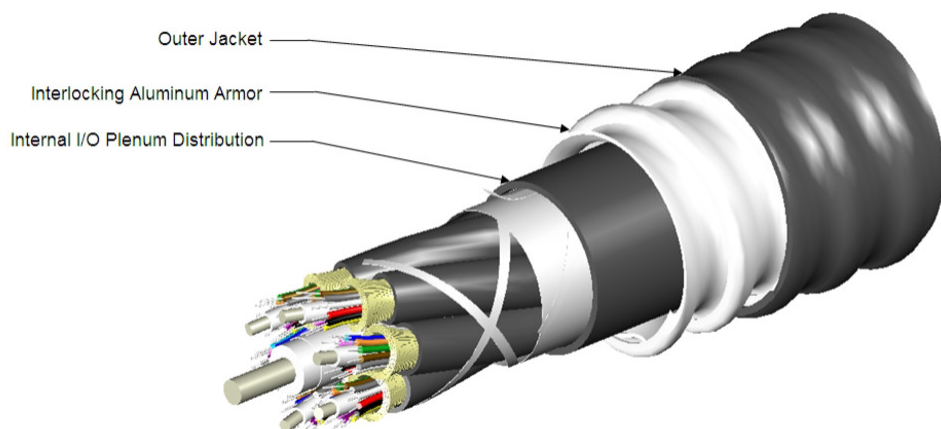
## General Specifications

<b>Armor Type</b>	Interlocking aluminum
<b>Cable Type</b>	Distribution
<b>Construction Type</b>	Armored
<b>Subunit Type</b>	Gel-free
<b>Jacket Color</b>	Black
<b>Jacket Marking</b>	Feet
<b>Subunit, quantity</b>	6
<b>Fibers per Subunit, quantity</b>	12
<b>Composite Fiber Count</b>	24 + 48
<b>Total Fiber Count</b>	72

## Dimensions

<b>Buffer Tube/Subunit Diameter</b>	6.9 mm   0.272 in
<b>Diameter Over Armor</b>	29.85 mm   1.175 in
<b>Diameter Over Jacket</b>	31.9 mm   1.256 in

## Representative Image



## Mechanical Specifications

<b>Minimum Bend Radius, loaded</b>	478 mm   18.819 in
<b>Minimum Bend Radius, unloaded</b>	319 mm   12.559 in
<b>Tensile Load, long term, maximum</b>	400 N   89.924 lbf
<b>Tensile Load, short term, maximum</b>	1335 N   300.12 lbf
<b>Compression</b>	85 N/mm   485.363 lb/in
<b>Compression Test Method</b>	FOTP-41   IEC 60794-1 E3
<b>Flex</b>	25 cycles
<b>Flex Test Method</b>	FOTP-104   IEC 60794-1 E6
<b>Impact</b>	35 N-m   309.776 in lb
<b>Impact Test Method</b>	FOTP-25   IEC 60794-1 E4
<b>Strain</b>	See long and short term tensile loads
<b>Strain Test Method</b>	FOTP-33   IEC 60794-1 E1
<b>Twist</b>	10 cycles
<b>Twist Test Method</b>	FOTP-85   IEC 60794-1 E7
<b>Vertical Rise, maximum</b>	48 m   157.48 ft

## Optical Specifications

<b>Fiber Type</b>	Composite MM/SM   G.652.D and G.657.A1, TeraSPEED®   OM4, LazrSPEED® 550
-------------------	--

## Environmental Specifications

# 760135012 | P-072-OZ-CM-FMUBK/8W024 /5K048

---

<b>Installation temperature</b>	-30 °C to +70 °C (-22 °F to +158 °F)
<b>Operating Temperature</b>	-25 °C to +70 °C (-13 °F to +158 °F)
<b>Storage Temperature</b>	-40 °C to +75 °C (-40 °F to +167 °F)
<b>Cable Qualification Standards</b>	ANSI/ICEA S-104-696   Telcordia GR-20 (water penetration for internal cable)   Telcordia GR-409
<b>Environmental Space</b>	Plenum
<b>Flame Test Listing</b>	NEC OFCP (ETL) and c(ETL)
<b>Flame Test Method</b>	NFPA 130   NFPA 262
<b>Jacket UV Resistance</b>	UV stabilized
<b>Water Penetration</b>	24 h
<b>Water Penetration Test Method</b>	FOTP-82   IEC 60794-1 F5

## Environmental Test Specifications

<b>Cable Freeze Test Method</b>	IEC 60794-1 F15
<b>Heat Age</b>	-40 °C to +85 °C (-40 °F to +185 °F)
<b>Heat Age Test Method</b>	IEC 60794-1 F9
<b>Low High Bend</b>	-40 °C to +70 °C (-40 °F to +158 °F)
<b>Low High Bend Test Method</b>	FOTP-37   IEC 60794-1 E11
<b>Temperature Cycle</b>	-40 °C to +70 °C (-40 °F to +158 °F)
<b>Temperature Cycle Test Method</b>	FOTP-3   IEC 60794-1 F1

## Packaging and Weights

<b>Cable weight</b>	853 kg/km   573.19 lb/kft
---------------------	---------------------------

## Regulatory Compliance/Certifications

<b>Agency</b>	<b>Classification</b>
ISO 9001:2015	Designed, manufactured and/or distributed under this quality management system

## Included Products

CS-5K-TB	- LazrSPEED® 550 OM4 Bend-Insensitive Multimode Fiber
CS-8W-TB	- TeraSPEED® Singlemode Fiber

## \* Footnotes

**Operating Temperature** Specification applicable to non-terminated bulk fiber cable

## LazrSPEED® 550 OM4 Bend-Insensitive Multimode Fiber

### LazrSPEED® 550

#### Product Classification

<b>Portfolio</b>	CommScope®
<b>Product Type</b>	Optical fiber

#### General Specifications

<b>Cladding Diameter</b>	125 µm
<b>Cladding Diameter Tolerance</b>	±0.8 µm
<b>Cladding Non-Circularity, maximum</b>	1 %
<b>Coating Diameter (Colored)</b>	254 µm
<b>Coating Diameter (Uncolored)</b>	245 µm
<b>Coating Diameter Tolerance (Colored)</b>	±7 µm
<b>Coating Diameter Tolerance (Uncolored)</b>	±10 µm
<b>Coating/Cladding Concentricity Error, maximum</b>	12 µm
<b>Core Diameter</b>	50 µm
<b>Core Diameter Tolerance</b>	±2.5 µm
<b>Core/Clad Offset, maximum</b>	1.5 µm
<b>Proof Test</b>	689.476 N/mm <sup>2</sup>   100000 psi
<b>Tight Buffer Diameter</b>	900 µm
<b>Tight Buffer Diameter Tolerance</b>	±40 µm

#### Mechanical Specifications

<b>Macrobending, 15 mm Ø mandrel, 2 turns</b>	0.20 dB @ 850 nm   0.50 dB @ 1,300 nm
<b>Macrobending, 30 mm Ø mandrel, 2 turns</b>	0.10 dB @ 850 nm   0.30 dB @ 1,300 nm
<b>Macrobending, 75 mm Ø mandrel, 100 turns</b>	0.50 dB @ 1,300 nm   0.50 dB @ 850 nm
<b>Coating Strip Force, maximum</b>	8.9 N   2.001 lbf

# CS-5K-TB

<b>Coating Strip Force, minimum</b>	1.3 N   0.292 lbf
<b>Dynamic Fatigue Parameter, minimum</b>	18

## Optical Specifications

<b>Numerical Aperture</b>	0.2
<b>Numerical Aperture Tolerance</b>	±0.015
<b>Point Defects, maximum</b>	0.15 dB
<b>Zero Dispersion Slope, maximum</b>	0.105 ps/[km-nm-nm]
<b>Zero Dispersion Wavelength, maximum</b>	1316 nm
<b>Zero Dispersion Wavelength, minimum</b>	1297 nm

## Optical Specifications, Wavelength Specific

<b>1 Gbps Ethernet Distance</b>	1,110 m @ 850 nm   600 m @ 1,300 nm
<b>10 Gbps Ethernet Distance</b>	550 m @ 850 nm
<b>Attenuation, maximum</b>	1.00 dB/km @ 1,300 nm   3.00 dB/km @ 850 nm
<b>Backscatter Coefficient</b>	-68.0 dB @ 850 nm   -75.7 dB @ 1,300 nm
<b>Bandwidth, Laser, minimum</b>	4,700 MHz-km @ 850 nm   500 MHz-km @ 1,300 nm
<b>Bandwidth, OFL, minimum</b>	3,500 MHz-km @ 850 nm   500 MHz-km @ 1,300 nm
<b>Differential Mode Delay</b>	0.70 ps/m @ 850 nm   0.88 ps/m @ 1,300 nm
<b>Differential Mode Delay Note</b>	Superior to TIA-492AAAC and IEC 60793-2-10 at 850 nm
<b>Index of Refraction</b>	1.479 @ 1,300 nm   1.483 @ 850 nm
<b>Standards Compliance</b>	IEC 60793-2-10, type A1a.3a   IEC 60793-2-10, type A1a.3b   TIA-492AAAD (OM4)

## Environmental Specifications

<b>Heat Aging, maximum</b>	0.20 dB/km @ 85 °C
<b>Temperature Dependence, maximum</b>	0.1 dB/km
<b>Temperature Humidity Cycling, maximum</b>	0.2 dB/km
<b>Water Immersion, maximum</b>	0.20 dB/km @ 23 °C

## Regulatory Compliance/Certifications

<b>Agency</b>	<b>Classification</b>
ISO 9001:2015	Designed, manufactured and/or distributed under this quality management system

# CS-5K-TB

---

## \* Footnotes

- Temperature Dependence, maximum** Temperature dependence is conducted at -60 °C to +85 °C (-76 °F to +185 °F)
- Temperature Humidity Cycling, maximum** Temperature humidity cycling is conducted at -10 °C to +85 °C (+14 °F to +185 °F) up to 95% relative humidity

## TeraSPEED® Singlemode Fiber

# TeraSPEED®

### Product Classification

<b>Portfolio</b>	CommScope®
<b>Product Type</b>	Optical fiber

### General Specifications

<b>Cladding Diameter</b>	125 µm
<b>Cladding Diameter Tolerance</b>	±0.7 µm
<b>Cladding Non-Circularity, maximum</b>	0.7 %
<b>Coating Diameter (Colored)</b>	249 µm
<b>Coating Diameter (Uncolored)</b>	242 µm
<b>Coating Diameter Tolerance (Colored)</b>	±13 µm
<b>Coating Diameter Tolerance (Uncolored)</b>	±5 µm
<b>Coating/Cladding Concentricity Error, maximum</b>	12 µm
<b>Core Diameter</b>	8.3 µm
<b>Core/Clad Offset, maximum</b>	0.5 µm
<b>Proof Test</b>	689.476 N/mm <sup>2</sup>   100000 psi
<b>Tight Buffer Diameter</b>	900 µm
<b>Tight Buffer Diameter Tolerance</b>	±40 µm

### Dimensions

<b>Fiber Curl, minimum</b>	4 m   13.123 ft
----------------------------	-----------------

### Mechanical Specifications

<b>Macrobending, 20 mm Ø mandrel, 1 turn</b>	0.75 dB @ 1,550 nm   1.50 dB @ 1,625 nm
<b>Macrobending, 30 mm Ø mandrel, 10 turns</b>	0.25 dB @ 1,550 nm   1.00 dB @ 1,625 nm

# CS-8W-TB

<b>Macrobending, 60 mm Ø mandrel, 100 turns</b>	0.05 dB @ 1,550 nm   0.05 dB @ 1,625 nm
<b>Coating Strip Force, maximum</b>	8.9 N   2.001 lbf
<b>Coating Strip Force, minimum</b>	1.3 N   0.292 lbf
<b>Dynamic Fatigue Parameter, minimum</b>	20

## Optical Specifications

<b>Cabled Cutoff Wavelength, maximum</b>	1260 nm
<b>Point Defects, maximum</b>	0.1 dB
<b>Zero Dispersion Slope, maximum</b>	0.092 ps/[km-nm-nm]
<b>Zero Dispersion Wavelength, maximum</b>	1324 nm
<b>Zero Dispersion Wavelength, minimum</b>	1300 nm

## Optical Specifications, Wavelength Specific

<b>Attenuation, maximum</b>	0.50 dB/km @ 1,310 nm   0.50 dB/km @ 1,385 nm   0.50 dB/km @ 1,490 nm   0.50 dB/km @ 1,550 nm   0.50 dB/km @ 1,575 nm   0.70 dB/km @ 1,270 nm
<b>Backscatter Coefficient</b>	-79.6 dB @ 1,310 nm   -82.1 dB @ 1,550 nm
<b>Dispersion, maximum</b>	18 ps(nm-km) at 1550 nm   3.5 ps(nm-km) from 1285 nm to 1330 nm at 1310 nm
<b>Index of Refraction</b>	1.467 @ 1,310 nm   1.467 @ 1,385 nm   1.468 @ 1,550 nm
<b>Mode Field Diameter</b>	10.4 µm @ 1,550 nm   9.2 µm @ 1,310 nm   9.6 µm @ 1,385 nm
<b>Mode Field Diameter Tolerance</b>	±0.4 µm @ 1310 nm   ±0.5 µm @ 1550 nm   ±0.6 µm @ 1385 nm
<b>Polarization Mode Dispersion Link Design Value, maximum</b>	0.04 ps/sqrt(km)
<b>Standards Compliance</b>	ITU-T G.652.D   ITU-T G.657.A1   TIA-492CAAB (OS1a)

## Environmental Specifications

<b>Heat Aging, maximum</b>	0.05 dB/km @ 85 °C
<b>Temperature Dependence, maximum</b>	0.05 dB/km
<b>Temperature Humidity Cycling, maximum</b>	0.05 dB/km
<b>Water Immersion, maximum</b>	0.05 dB/km @ 23 °C

## Regulatory Compliance/Certifications



# CS-8W-TB

---

**Agency**

ISO 9001:2015

**Classification**

Designed, manufactured and/or distributed under this quality management system

## \* Footnotes

**Temperature Dependence, maximum**

Temperature dependence is conducted at -60 °C to +85 °C (-76 °F to +185 °F)

**Temperature Humidity Cycling, maximum**

Temperature humidity cycling is conducted at -10 °C to +85 °C (+14 °F to +185 °F) up to 95% relative humidity