

Fiber indoor/outdoor cable, TeraSPEED® Plenum Distribution Cable, interlocking aluminum armored with plenum jacket, Multimode /Singlemode, 36 fiber multi-unit with 12 fiber subunits, Black jacket color, Feet cable marking

Product Classification

Regional Availability	Asia Australia/New Zealand Latin America Middle East /Africa North America
Portfolio	CommScope®
Product Type	Fiber indoor/outdoor cable
Product Series	P-OZ

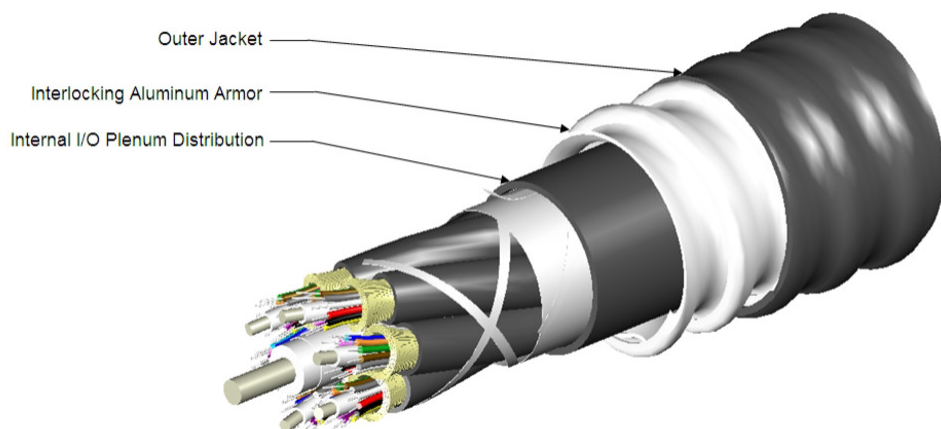
General Specifications

Armor Type	Interlocking aluminum
Cable Type	Distribution
Construction Type	Armored
Subunit Type	Gel-free
Jacket Color	Black
Jacket Marking	Feet
Subunit, quantity	3
Fibers per Subunit, quantity	12
Composite Fiber Count	12 + 24
Total Fiber Count	36

Dimensions

Buffer Tube/Subunit Diameter	6.9 mm 0.272 in
Diameter Over Armor	23.5 mm 0.925 in
Diameter Over Jacket	25.5 mm 1.004 in

Representative Image



Mechanical Specifications

Minimum Bend Radius, loaded	383 mm 15.079 in
Minimum Bend Radius, unloaded	255 mm 10.039 in
Tensile Load, long term, maximum	400 N 89.924 lbf
Tensile Load, short term, maximum	1335 N 300.12 lbf
Compression	85 N/mm 485.363 lb/in
Compression Test Method	FOTP-41 IEC 60794-1 E3
Flex	25 cycles
Flex Test Method	FOTP-104 IEC 60794-1 E6
Impact	35 N-m 309.776 in lb
Impact Test Method	FOTP-25 IEC 60794-1 E4
Strain	See long and short term tensile loads
Strain Test Method	FOTP-33 IEC 60794-1 E1
Twist	10 cycles
Twist Test Method	FOTP-85 IEC 60794-1 E7
Vertical Rise, maximum	80 m 262.467 ft

Optical Specifications

Fiber Type	Composite MM/SM G.652.D and G.657.A1, TeraSPEED® OM4, LazrSPEED® 550
-------------------	--------------------------------------------------------------------------

Environmental Specifications

760135004 | P-036-OZ-CM-FMUBK/8W012 /5K024

Installation temperature	-30 °C to +70 °C (-22 °F to +158 °F)
Operating Temperature	-25 °C to +70 °C (-13 °F to +158 °F)
Storage Temperature	-40 °C to +75 °C (-40 °F to +167 °F)
Cable Qualification Standards	ANSI/ICEA S-104-696 Telcordia GR-20 (water penetration for internal cable) Telcordia GR-409
Environmental Space	Plenum
Flame Test Listing	NEC OFCP (ETL) and c(ETL)
Flame Test Method	NFPA 130 NFPA 262
Jacket UV Resistance	UV stabilized
Water Penetration	24 h
Water Penetration Test Method	FOTP-82 IEC 60794-1 F5

Environmental Test Specifications

Cable Freeze Test Method	IEC 60794-1 F15
Heat Age	-40 °C to +85 °C (-40 °F to +185 °F)
Heat Age Test Method	IEC 60794-1 F9
Low High Bend	-40 °C to +70 °C (-40 °F to +158 °F)
Low High Bend Test Method	FOTP-37 IEC 60794-1 E11
Temperature Cycle	-40 °C to +70 °C (-40 °F to +158 °F)
Temperature Cycle Test Method	FOTP-3 IEC 60794-1 F1

Packaging and Weights

Cable weight	510 kg/km 342.704 lb/kft
---------------------	----------------------------

Regulatory Compliance/Certifications

Agency	Classification
ISO 9001:2015	Designed, manufactured and/or distributed under this quality management system

Included Products

CS-5K-TB	- LazrSPEED® 550 OM4 Bend-Insensitive Multimode Fiber
CS-8W-TB	- TeraSPEED® Singlemode Fiber

* Footnotes

Operating Temperature Specification applicable to non-terminated bulk fiber cable

LazrSPEED® 550 OM4 Bend-Insensitive Multimode Fiber

LazrSPEED® 550

Product Classification

Portfolio	CommScope®
Product Type	Optical fiber

General Specifications

Cladding Diameter	125 µm
Cladding Diameter Tolerance	±0.8 µm
Cladding Non-Circularity, maximum	1 %
Coating Diameter (Colored)	254 µm
Coating Diameter (Uncolored)	245 µm
Coating Diameter Tolerance (Colored)	±7 µm
Coating Diameter Tolerance (Uncolored)	±10 µm
Coating/Cladding Concentricity Error, maximum	12 µm
Core Diameter	50 µm
Core Diameter Tolerance	±2.5 µm
Core/Clad Offset, maximum	1.5 µm
Proof Test	689.476 N/mm ² 100000 psi
Tight Buffer Diameter	900 µm
Tight Buffer Diameter Tolerance	±40 µm

Mechanical Specifications

Macrobending, 15 mm Ø mandrel, 2 turns	0.20 dB @ 850 nm 0.50 dB @ 1,300 nm
Macrobending, 30 mm Ø mandrel, 2 turns	0.10 dB @ 850 nm 0.30 dB @ 1,300 nm
Macrobending, 75 mm Ø mandrel, 100 turns	0.50 dB @ 1,300 nm 0.50 dB @ 850 nm
Coating Strip Force, maximum	8.9 N 2.001 lbf

CS-5K-TB

Coating Strip Force, minimum	1.3 N 0.292 lbf
Dynamic Fatigue Parameter, minimum	18

Optical Specifications

Numerical Aperture	0.2
Numerical Aperture Tolerance	±0.015
Point Defects, maximum	0.15 dB
Zero Dispersion Slope, maximum	0.105 ps/[km-nm-nm]
Zero Dispersion Wavelength, maximum	1316 nm
Zero Dispersion Wavelength, minimum	1297 nm

Optical Specifications, Wavelength Specific

1 Gbps Ethernet Distance	1,110 m @ 850 nm 600 m @ 1,300 nm
10 Gbps Ethernet Distance	550 m @ 850 nm
Attenuation, maximum	1.00 dB/km @ 1,300 nm 3.00 dB/km @ 850 nm
Backscatter Coefficient	-68.0 dB @ 850 nm -75.7 dB @ 1,300 nm
Bandwidth, Laser, minimum	4,700 MHz-km @ 850 nm 500 MHz-km @ 1,300 nm
Bandwidth, OFL, minimum	3,500 MHz-km @ 850 nm 500 MHz-km @ 1,300 nm
Differential Mode Delay	0.70 ps/m @ 850 nm 0.88 ps/m @ 1,300 nm
Differential Mode Delay Note	Superior to TIA-492AAAC and IEC 60793-2-10 at 850 nm
Index of Refraction	1.479 @ 1,300 nm 1.483 @ 850 nm
Standards Compliance	IEC 60793-2-10, type A1a.3a IEC 60793-2-10, type A1a.3b TIA-492AAAD (OM4)

Environmental Specifications

Heat Aging, maximum	0.20 dB/km @ 85 °C
Temperature Dependence, maximum	0.1 dB/km
Temperature Humidity Cycling, maximum	0.2 dB/km
Water Immersion, maximum	0.20 dB/km @ 23 °C

Regulatory Compliance/Certifications

Agency	Classification
ISO 9001:2015	Designed, manufactured and/or distributed under this quality management system

CS-5K-TB

* Footnotes

- Temperature Dependence, maximum** Temperature dependence is conducted at -60 °C to +85 °C (-76 °F to +185 °F)
- Temperature Humidity Cycling, maximum** Temperature humidity cycling is conducted at -10 °C to +85 °C (+14 °F to +185 °F) up to 95% relative humidity

TeraSPEED® Singlemode Fiber

TeraSPEED®

Product Classification

Portfolio	CommScope®
Product Type	Optical fiber

General Specifications

Cladding Diameter	125 µm
Cladding Diameter Tolerance	±0.7 µm
Cladding Non-Circularity, maximum	0.7 %
Coating Diameter (Colored)	249 µm
Coating Diameter (Uncolored)	242 µm
Coating Diameter Tolerance (Colored)	±13 µm
Coating Diameter Tolerance (Uncolored)	±5 µm
Coating/Cladding Concentricity Error, maximum	12 µm
Core Diameter	8.3 µm
Core/Clad Offset, maximum	0.5 µm
Proof Test	689.476 N/mm ² 100000 psi
Tight Buffer Diameter	900 µm
Tight Buffer Diameter Tolerance	±40 µm

Dimensions

Fiber Curl, minimum	4 m 13.123 ft
----------------------------	-----------------

Mechanical Specifications

Macrobending, 20 mm Ø mandrel, 1 turn	0.75 dB @ 1,550 nm 1.50 dB @ 1,625 nm
Macrobending, 30 mm Ø mandrel, 10 turns	0.25 dB @ 1,550 nm 1.00 dB @ 1,625 nm

CS-8W-TB

Macrobending, 60 mm Ø mandrel, 100 turns	0.05 dB @ 1,550 nm 0.05 dB @ 1,625 nm
Coating Strip Force, maximum	8.9 N 2.001 lbf
Coating Strip Force, minimum	1.3 N 0.292 lbf
Dynamic Fatigue Parameter, minimum	20

Optical Specifications

Cabled Cutoff Wavelength, maximum	1260 nm
Point Defects, maximum	0.1 dB
Zero Dispersion Slope, maximum	0.092 ps/[km-nm-nm]
Zero Dispersion Wavelength, maximum	1324 nm
Zero Dispersion Wavelength, minimum	1300 nm

Optical Specifications, Wavelength Specific

Attenuation, maximum	0.50 dB/km @ 1,310 nm 0.50 dB/km @ 1,385 nm 0.50 dB/km @ 1,490 nm 0.50 dB/km @ 1,550 nm 0.50 dB/km @ 1,575 nm 0.70 dB/km @ 1,270 nm
Backscatter Coefficient	-79.6 dB @ 1,310 nm -82.1 dB @ 1,550 nm
Dispersion, maximum	18 ps(nm-km) at 1550 nm 3.5 ps(nm-km) from 1285 nm to 1330 nm at 1310 nm
Index of Refraction	1.467 @ 1,310 nm 1.467 @ 1,385 nm 1.468 @ 1,550 nm
Mode Field Diameter	10.4 µm @ 1,550 nm 9.2 µm @ 1,310 nm 9.6 µm @ 1,385 nm
Mode Field Diameter Tolerance	±0.4 µm @ 1310 nm ±0.5 µm @ 1550 nm ±0.6 µm @ 1385 nm
Polarization Mode Dispersion Link Design Value, maximum	0.04 ps/sqrt(km)
Standards Compliance	ITU-T G.652.D ITU-T G.657.A1 TIA-492CAAB (OS1a)

Environmental Specifications

Heat Aging, maximum	0.05 dB/km @ 85 °C
Temperature Dependence, maximum	0.05 dB/km
Temperature Humidity Cycling, maximum	0.05 dB/km
Water Immersion, maximum	0.05 dB/km @ 23 °C

Regulatory Compliance/Certifications

CS-8W-TB

Agency

ISO 9001:2015

Classification

Designed, manufactured and/or distributed under this quality management system

* Footnotes

Temperature Dependence, maximum

Temperature dependence is conducted at -60 °C to +85 °C (-76 °F to +185 °F)

Temperature Humidity Cycling, maximum

Temperature humidity cycling is conducted at -10 °C to +85 °C (+14 °F to +185 °F) up to 95% relative humidity