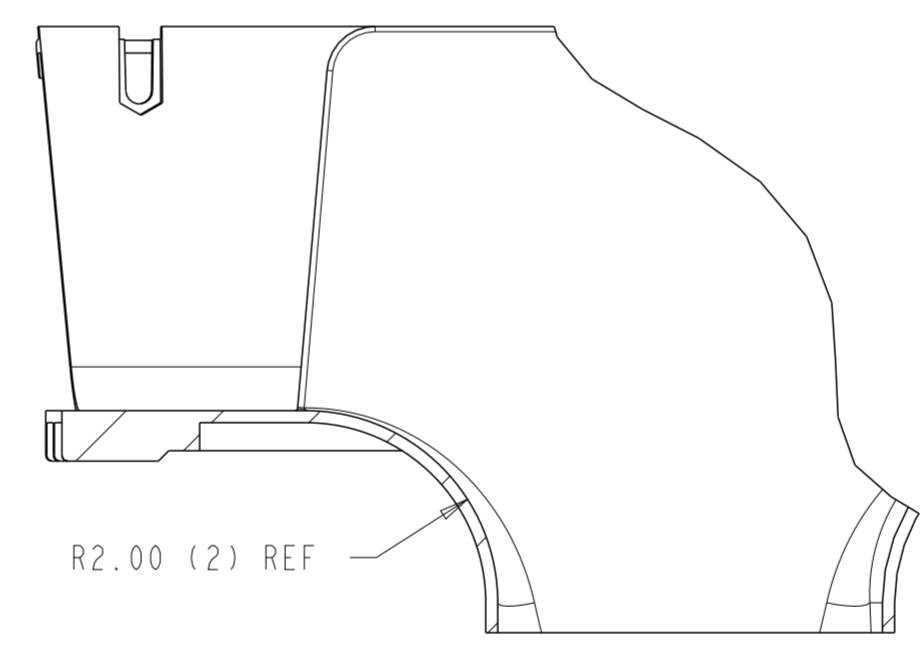
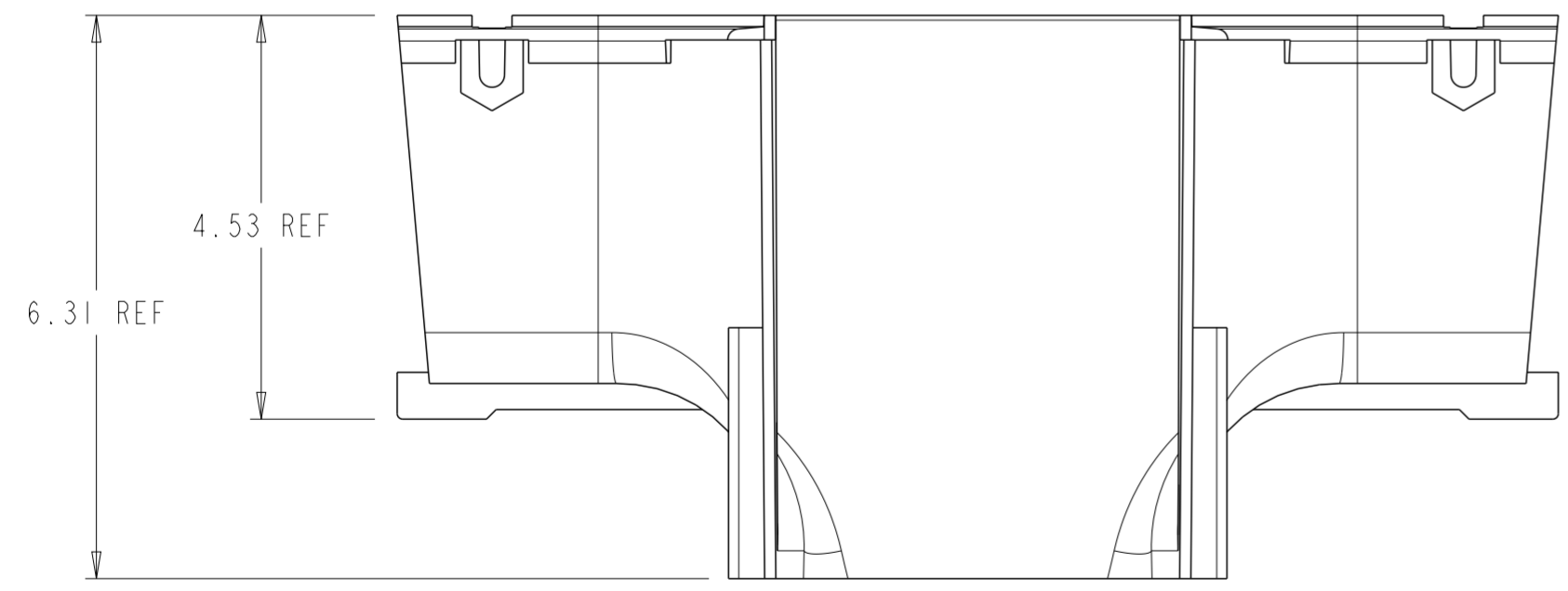
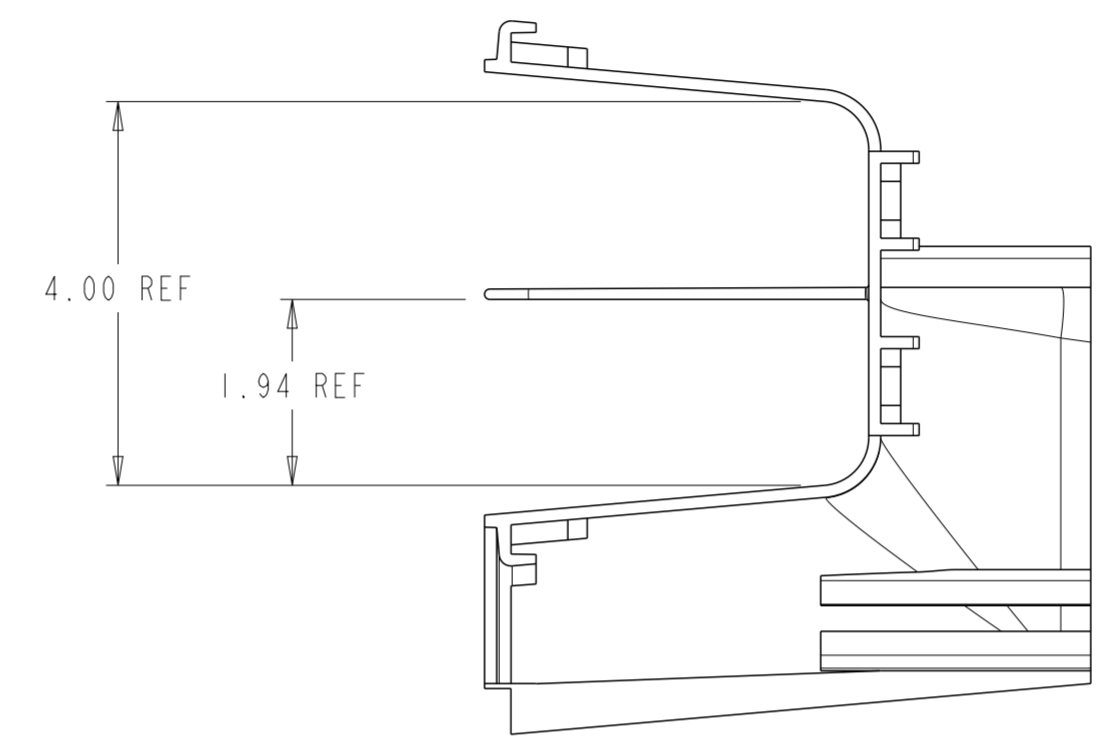
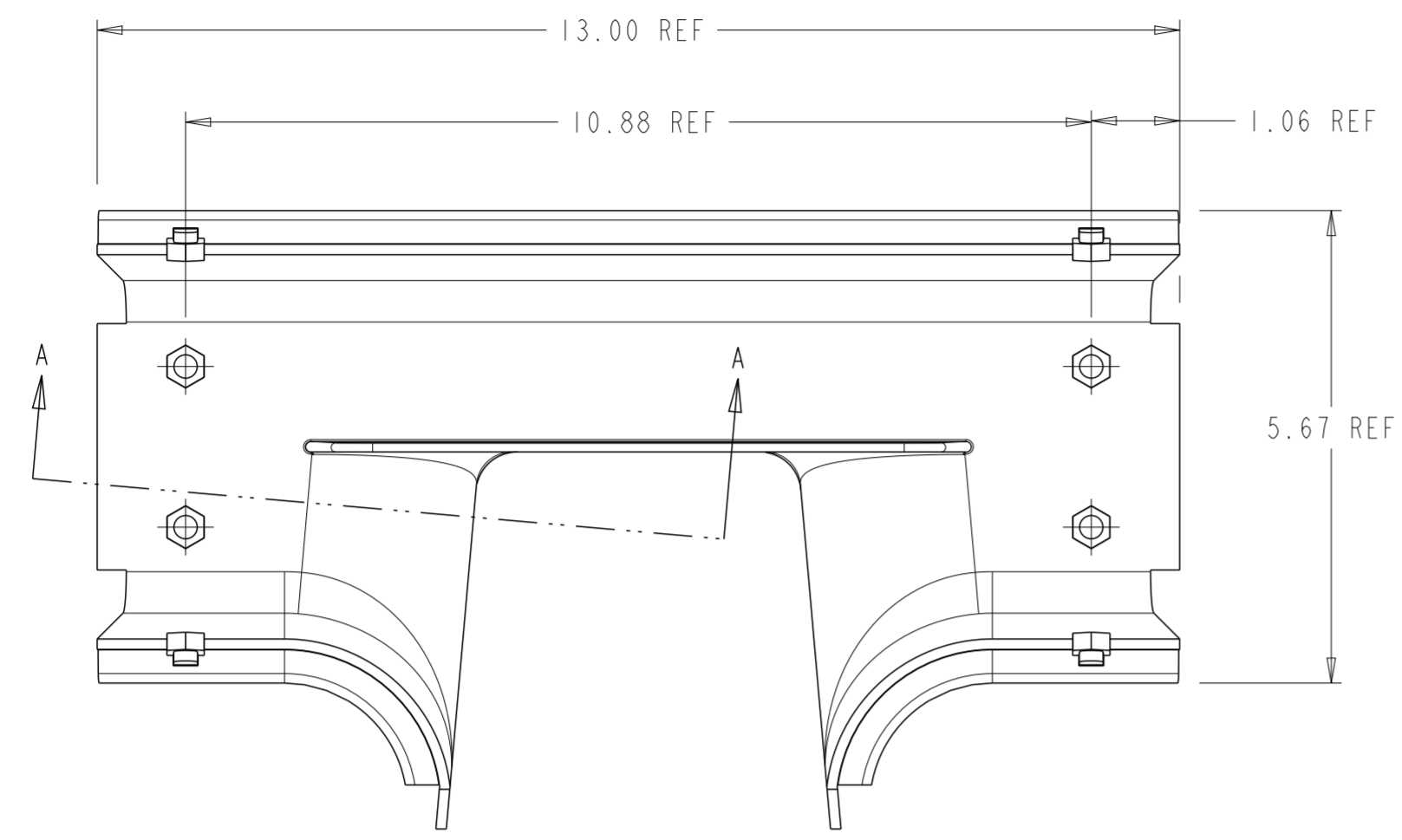


REVISIONS			
REV	CMO	DATE	APPROVED
C	20237120	03-APR-08	AED
D	40173951CMO	18-OCT-2023	JDG



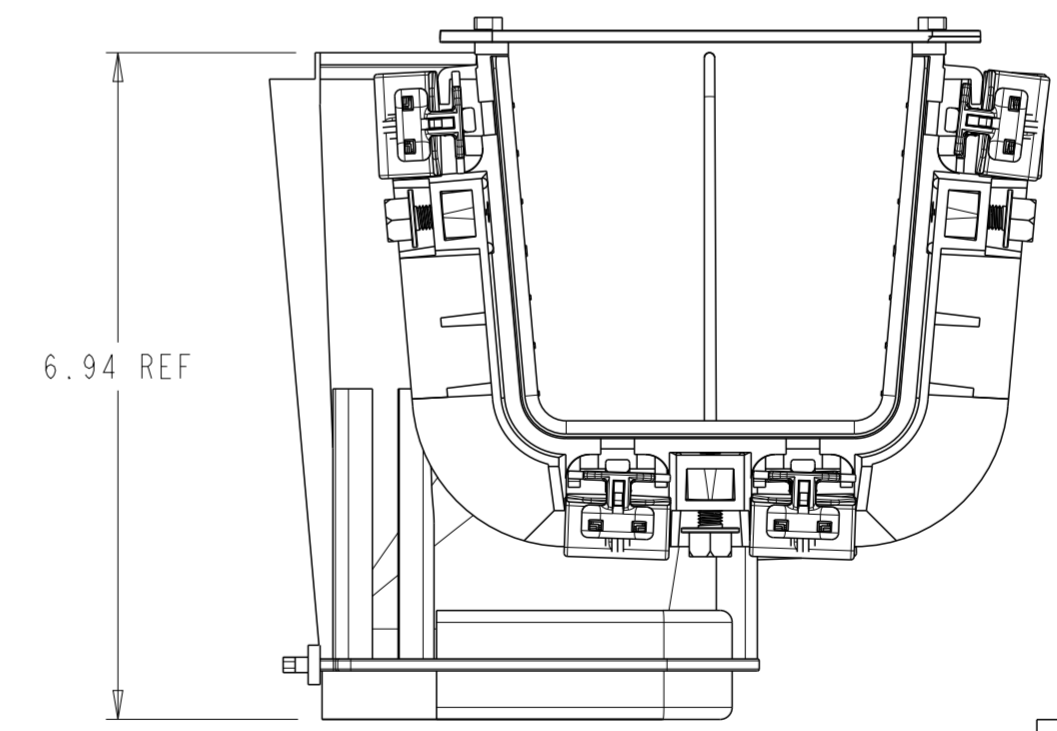
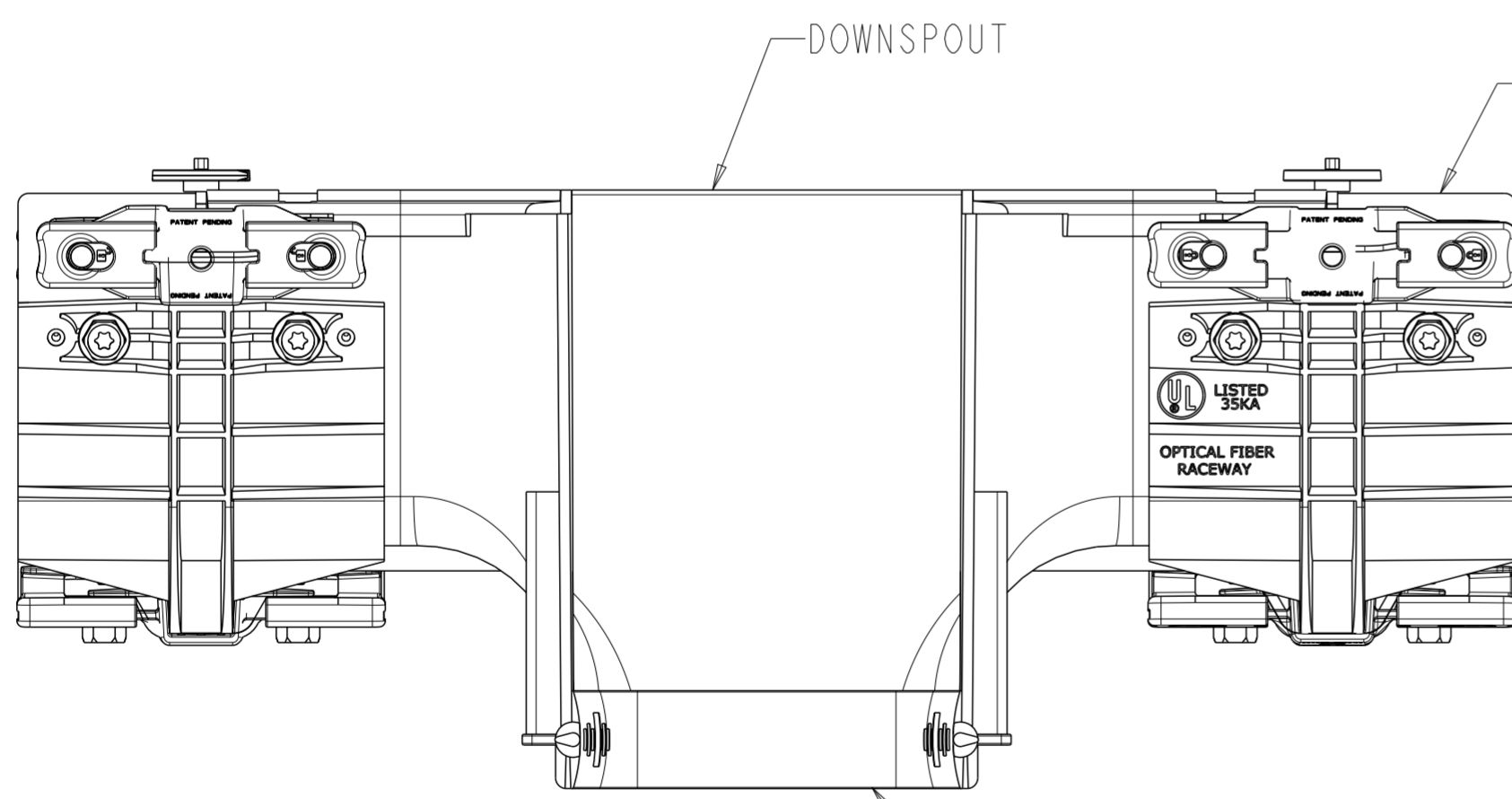
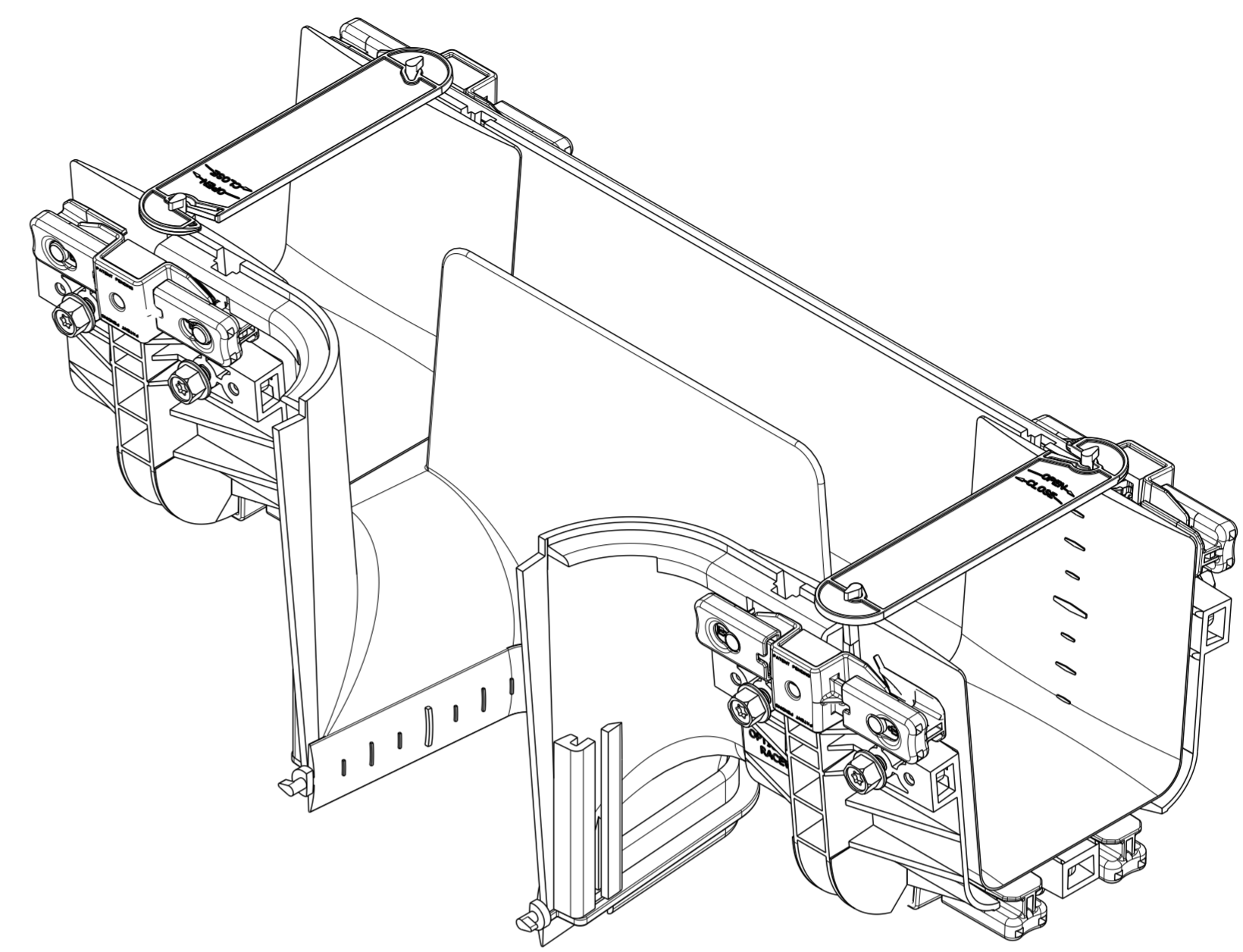
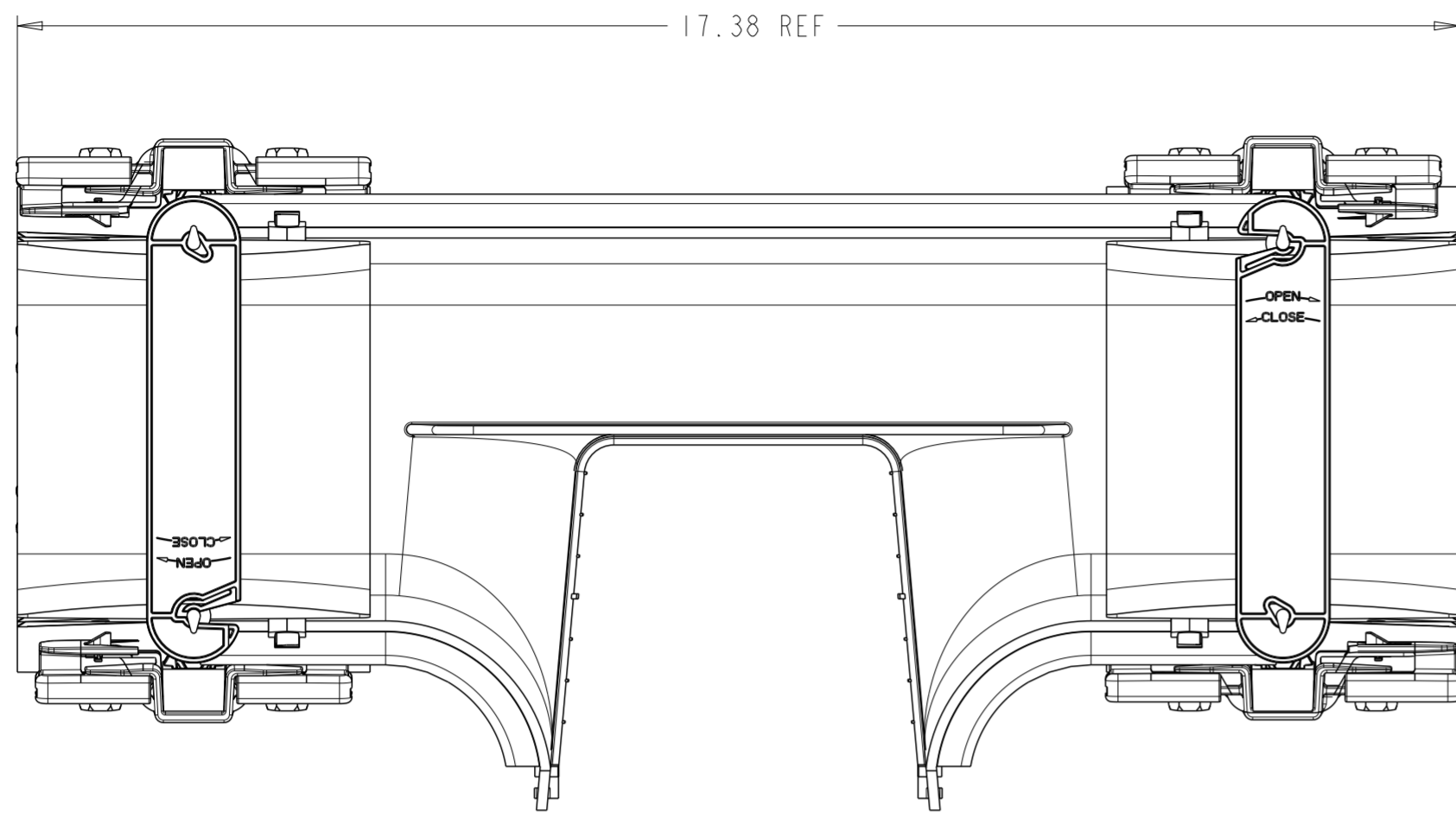
SECTION A-A

**NOTES:**

- MATERIAL IS SELF EXTINGUISHING WITH ALL UL 94 RATING OF V-0.
- DOWNSPOUT EXIT REQUIRES JUNCTION FGS-MJWR-A.
- COVERED BY U.S. PATENT NO. 320,782. ISSUE DATE : OCTOBER 15, 1991.

FGSB-MDSP-A	BLACK
FGS-MDSP-A	YELLOW
<b>CATALOG NUMBER</b>	<b>COLOR</b>

<b>COMMSCOPE, INC.</b>			
DRAFTER JAVIER GARCIA		TITLE DWSPT 4 X 4 , 4 X 4 EXIT, FGS	
ENGINEER RUBEN ARVILLA		SIZE A2	SCALE 0.500
		DOCUMENT NO. <b>4290000008 ADC</b>	
CUSTOMER DRAWING			REVISION D
			SHEET 1 OF 2



<b>COMMSCOPE, INC.</b>			
TITLE			
DWSPT 4 X 4 , 4 X 4 EXIT, FGS			
SIZE	SCALE	DOCUMENT NO.	
A2	0.500	<b>4290000008_ADC</b>	
DRAWING			SHEET
VERSION	STATUS	REVISION	2 OF 2
01	RE	D	

© 2024 CommScope, Inc. Confidential  
 NOTICE: These drawings and specifications are the proprietary property of COMMSCOPE, INC. and may be used only for the specific purpose authorized in writing by COMMSCOPE, INC.