

For Use With FOSC 400 and FOSC 450 Closures

1.0 General Product Information

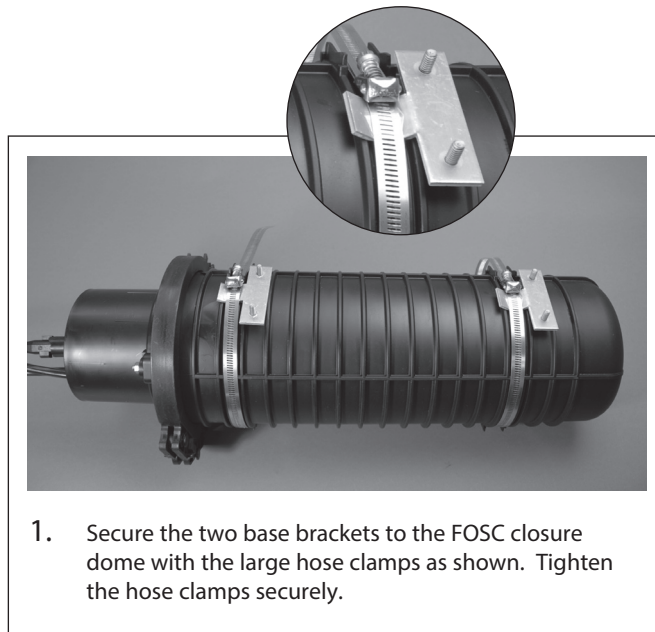
The FOSC ACC Universal ADSS Aerial Clamp provides materials required to suspend any FOSC 400 or FOSC 450 splice closure from ADSS cable.

Important: Read and follow all safety precautions and warnings documented in the FOSC 400 and FOSC 450 closure installation instructions.

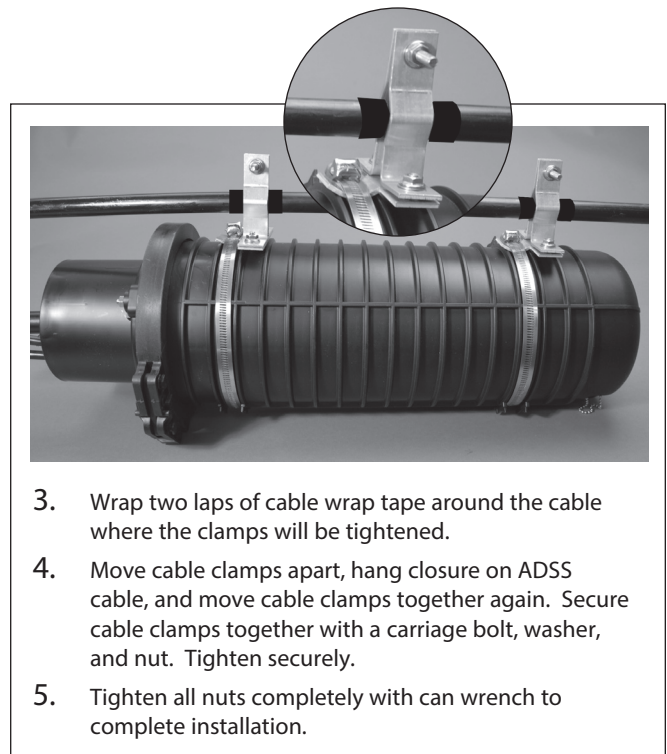
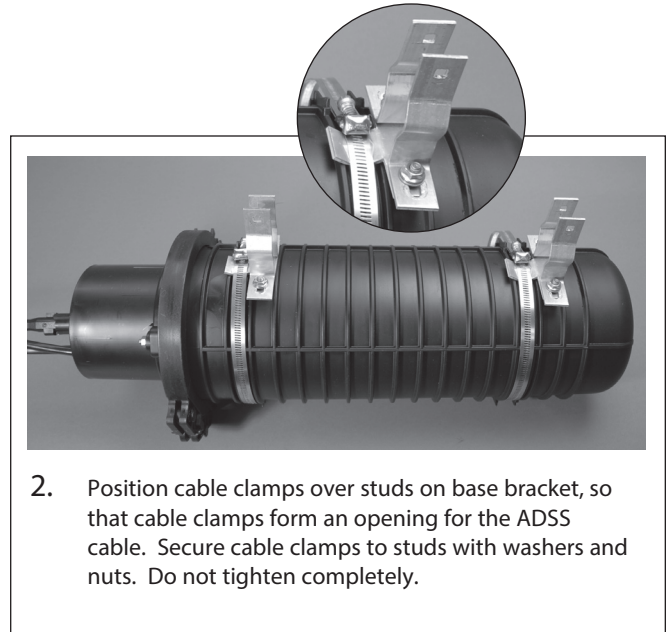
2.0 Kit Contents

- 2 large hose clamps
- 4 cable clamps
- 2 base brackets
- 2 carriage bolts
- 6 washers
- 6 nuts
- 2 strips of cable wrap

3.0 Installation Instructions



Technical Assistance Center (TAC)
 Tel.: 800.830.5056
 Email: TAC.Americas@commscope.com
 www.commscope.com



FOSC 400, FOSC 450, CommScope logo, and CommScope are trademarks.

The information given herein, including drawings, illustrations and schematics which are intended for illustration purposes only, is believed to be reliable. However, CommScope makes no warranties as to its accuracy or completeness and disclaims any liability in connection with its use.

CommScope obligations shall only be as set forth in CommScope Standard Terms and Conditions of Sale for this product and in no case will CommScope be liable for any incidental, indirect or consequential damages arising out of the sale, resale, use or misuse of the product. Users of CommScope products should make their own evaluation to determine the suitability of each such product for the specific application.