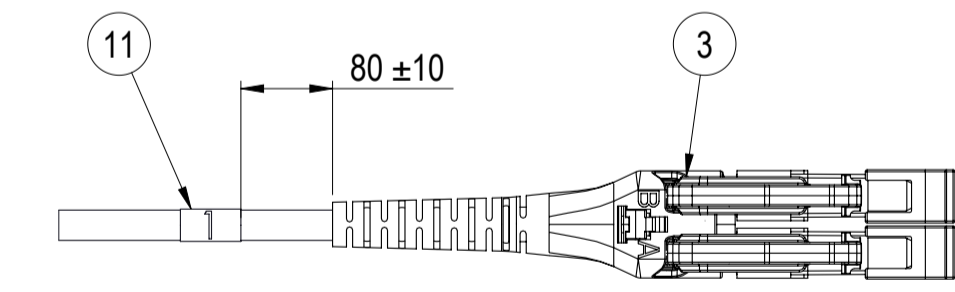
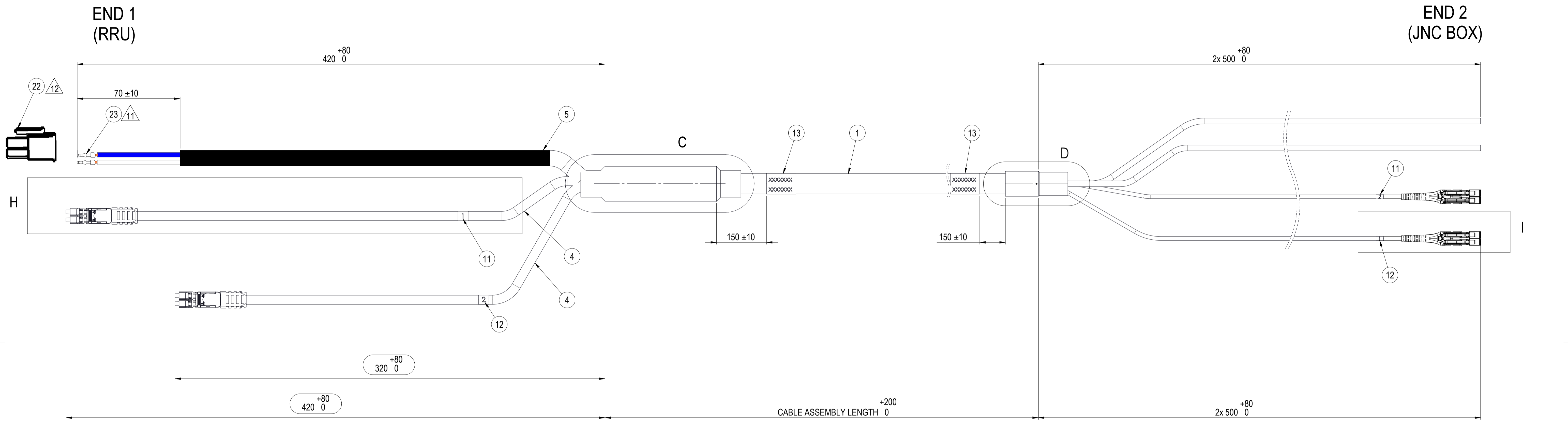


NOTES:

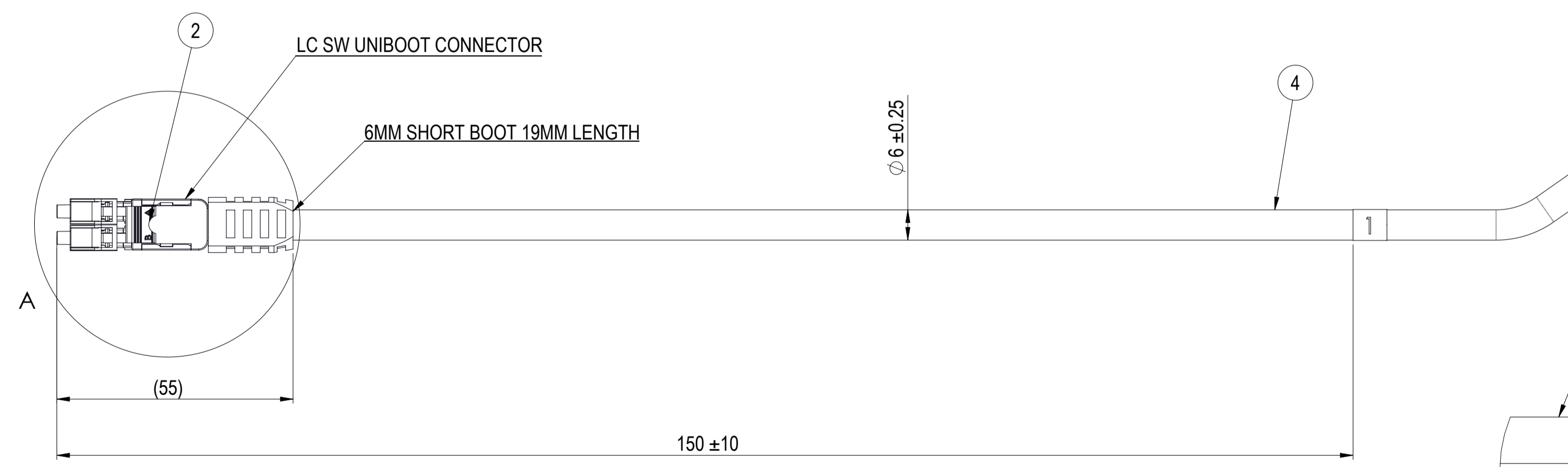
1. BREAKOUT LABELS AND IDENTIFICATION DEFINED PER TABLE 1: FIBER.
2. MANUFACTURING, PACKAGING, AND SHIPPING DEFINED PER BILL OF MATERIALS.
3. SPECIFICATIONS DEFINED PER HF-PRD-84580013 REQUIREMENT.
4. PRODUCTION TEST PLAN DEFINED PER HF-PRD-84580013 TEST REQUIREMENT.
5. CABLE ASSEMBLY PRODUCT LABEL INFORMATION DEFINED PER SPECIFICATION 10.0.
6. CRITICAL TO QUALITY (INSPECTION) REQUIREMENTS DEFINED PER SAMPLING PLAN.
7. 600μ FURCATION MUST COVER EACH FIBER INSIDE CONNECTOR ITEM No. 002
8. 600μ FURCATION MUST POTTED IN THE FERRULE ASSEMBLY.
9. 600μ FURCATION LENGTH OVER EACH FIBER IS 45mm ± 2.0mm.
10. 600μ FURCATION MUST BE INSERTED INTO THE INNER SUBUNIT OF CABLE.
11. CRIMP TERMINAL MUST BE CRIMPED PROPERLY.
12. RECEPTACLE HOUSING MUST BE PLACED IN A BAG AND TAPED TO THE POWER BRANCH ON END 1 AS AN ACCESSORY.

REVISIONS			
REV.	DESCRIPTION	DATE	APPROVED
A	REL TO PRODUCTION	19SEP24	HL1063

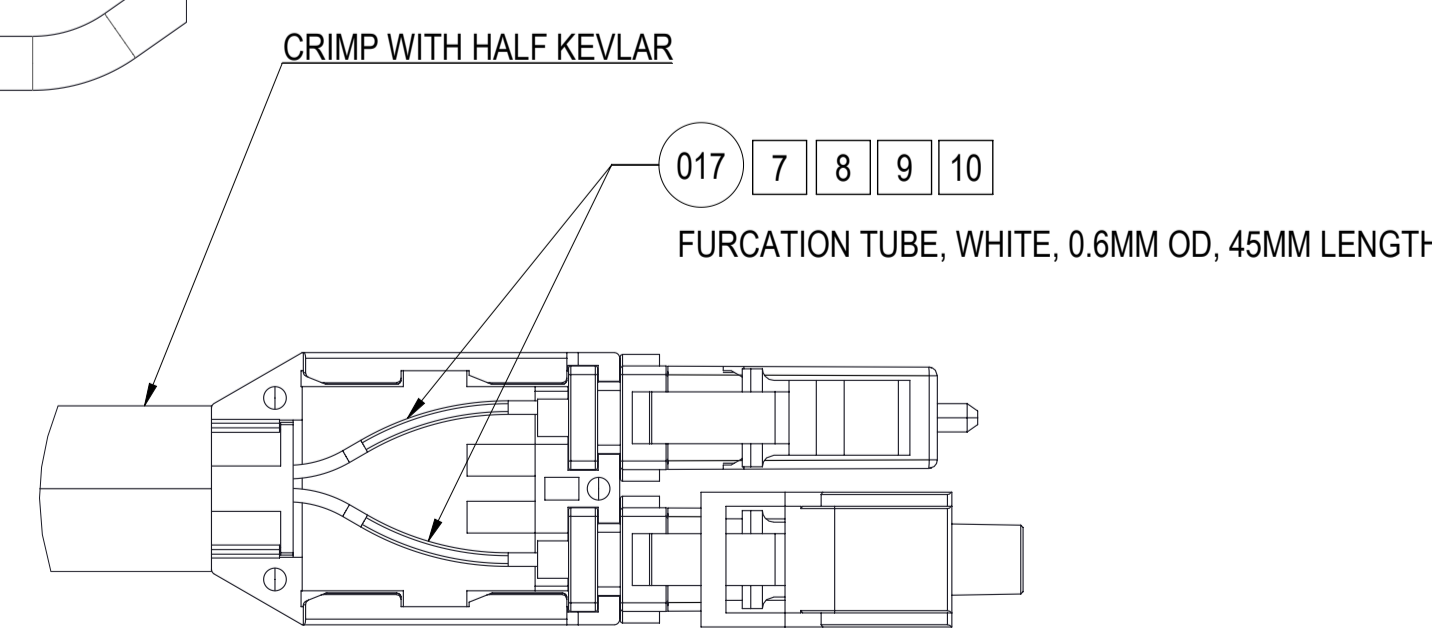
RRU 2600
TOP



DETAIL I
SCALE 4 : 3



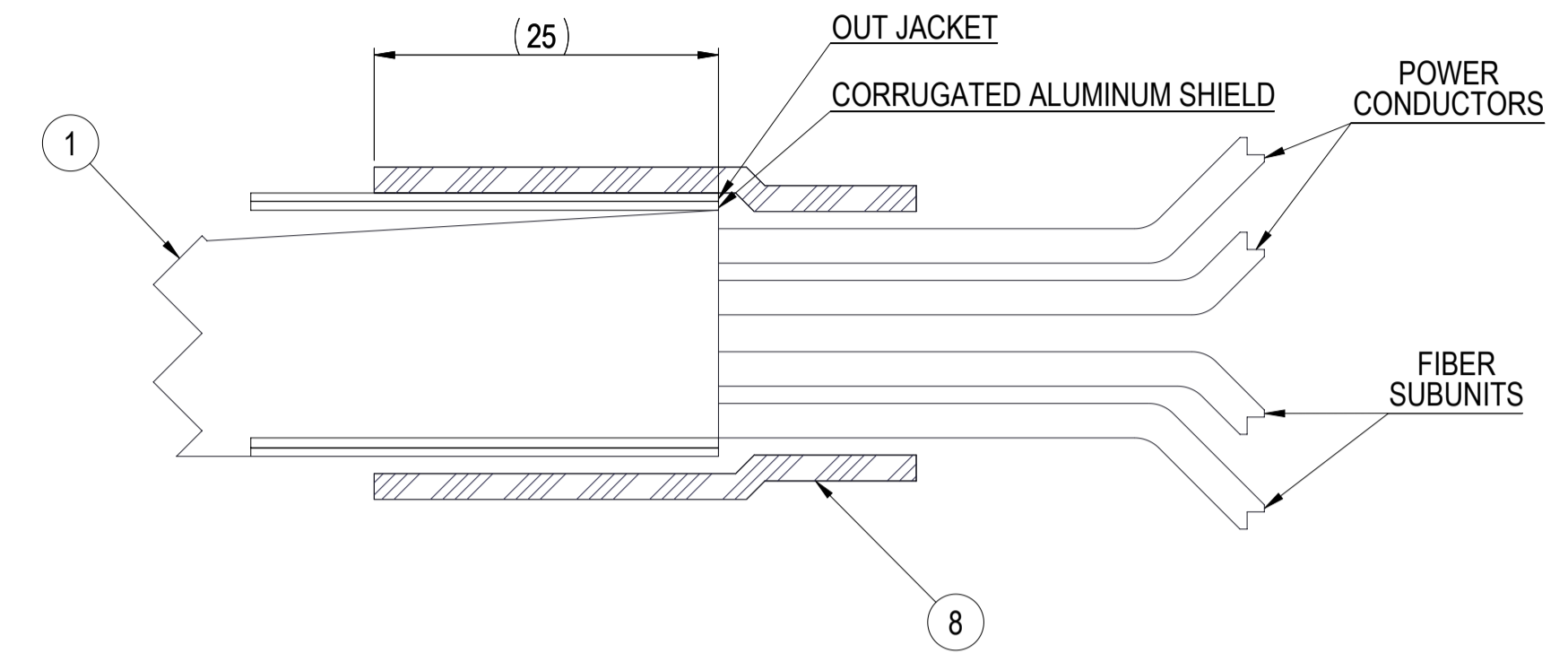
DETAIL H



DETAIL A
SCALE 3 : 1

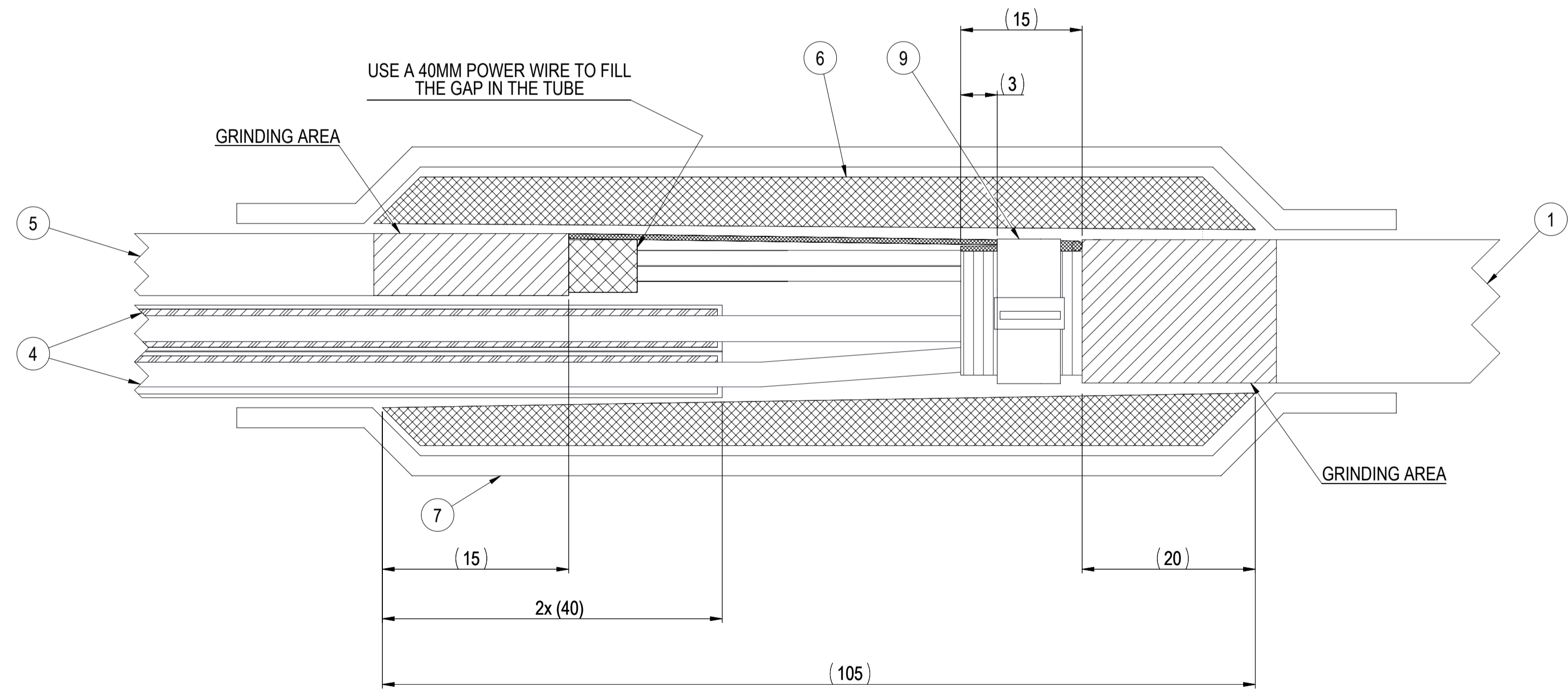
COMMSCOPE, INC. OF NORTH CAROLINA			
TOLERANCES		SAP MATERIAL MASTER	
0 PLACE	X ± 3	2 PLACE	XX ± 0.25
1 PLACE	X ± 1.0	ANGLES	± 0.5°
FINISH		MATERIAL	
UNLESS OTHERWISE SPECIFIED DIMENSIONS ARE IN MILLIMETERS (INCHES IN PARENTHESES). HATCHBOOK TECHNICAL DRAWINGS, VOLUMES 1 & 2, THIRD EDITION (2002)		NAME	DATE
		CE	HL1063 08/29/2024
		RW	HL1063 09/18/2024
		AD	CJ1043 09/19/2024
		RE	HL1063 09/19/2024
		ECN	40203482CMO
		TITLE	HFE206M-4SUTKX PRODUCT FAMILY
		SCALE	1:5
		DOCUMENT NO.	A24132568
DENSITY	g/mm ³	SIZE	Auth Group HLX
MASS	grams	VERSION	00
VOLUME	mm ³	STATUS	RE
SURFACE AREA	mm ²	REVISION	A
HEIGHT		VERSION	00
LENGTH		STATUS	RE
WIDTH		REVISION	A

TABLE 1: FIBER BREAKOUT LABELS AND IDENTIFICATION										
FIBER COLOR	END 1				END 2					
	SUBUNIT	BREAKOUT	LABEL		CONNECTOR	CONNECTOR	LABEL		BREAKOUT	SUBUNIT
	IDENTIFICATION		COLOR	TEXT	IDENTIFICATION	IDENTIFICATION	TEXT	COLOR	IDENTIFICATION	
BLUE	S1	F1	WHITE	1	A	B	1	WHITE	F2	S1
ORANGE					B	A				
BLUE	S2		WHITE	2	A	B	2	WHITE		S2
ORANGE					B	A				



DETAIL D - FIBER & POWER BREAKOUT
(TYPICAL 1 PLACE ON END 2)

TABLE 2: POWER BREAKOUT LABELS AND IDENTIFICATION								
POWER CONDUCTOR COLOR	END 1				END 2			
	POWER BREAKOUT	LABEL		PIN	PIN	LABEL		POWER BREAKOUT
	IDENTIFICATION	COLOR	TEXT	IDENTIFICATION	IDENTIFICATION	TEXT	COLOR	IDENTIFICATION
BLUE	P1	N/A	N/A	N/A	N/A	N/A	N/A	P2
WHITE		N/A	N/A	N/A	N/A	N/A	N/A	



DETAIL C - FIBER & POWER BREAKOUT
(TYPICAL 1 PLACE ON END 1)

HFE206M-4SUTKX-10M	HJ, 2x6MM2+4F, DLC-DLC, W/SLEEVE, 10M	10M	A
HFE206M-4SUTKX-20M	HJ, 2x6MM2+4F, DLC-DLC, W/SLEEVE, 20M	20M	A
HFE206M-4SUTKX-30M	HJ, 2x6MM2+4F, DLC-DLC, W/SLEEVE, 30M	30M	A
HFE206M-4SUTKX-40M	HJ, 2x6MM2+4F, DLC-DLC, W/SLEEVE, 40M	40M	A
HFE206M-4SUTKX-45M	HJ, 2x6MM2+4F, DLC-DLC, W/SLEEVE, 45M	45M	A
HFE206M-4SUTKX-50M	HJ, 2x6MM2+4F, DLC-DLC, W/SLEEVE, 50M	50M	A
CATALOG NUMBER	DESCRIPTION	CABLE ASSEMBLY LENGTH	REV

COMMSCOPE, INC. OF NORTH CAROLINA			
TITLE HFE206M-4SUTKX PRODUCT FAMILY			
SIZE A1	SCALE 1:5	DOCUMENT NO. A24132568	
DRAWING			SHEET
VERSION 00	STATUS RE	REVISION A	2 OF 2