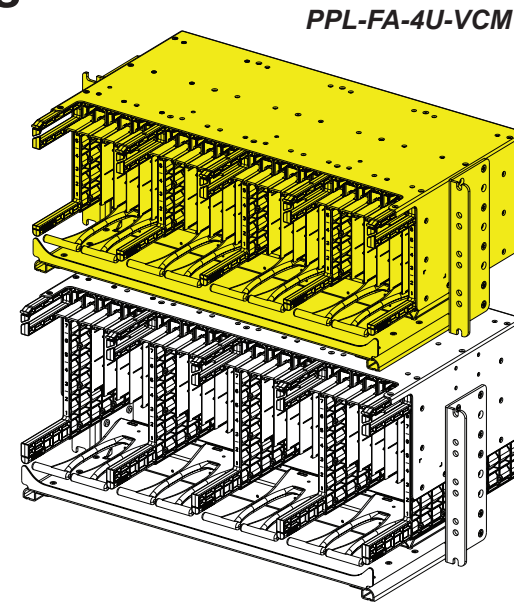


Propel Front Access Panel – Vertical Cable Management (VCM)

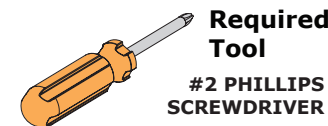
NOTE:
In most illustrations, this document shows the 4RU panel (highlighted in yellow at right).

5RU is similar in function.



PPL-FA-5U-VCM

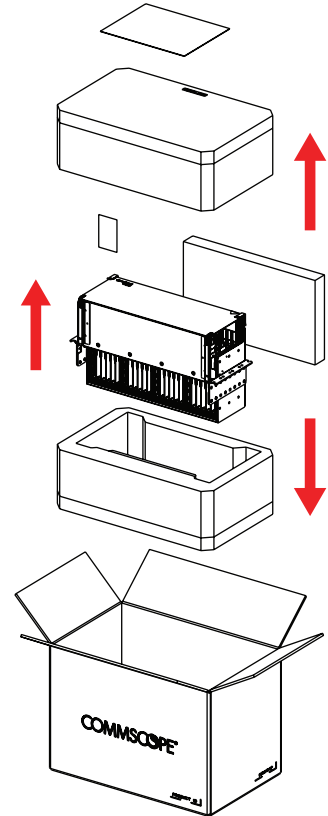
PARTS LIST	
QUANTITY	DESCRIPTION
1	PROPEL FA-VCM PANEL (4RU OR 5RU SIZE)
1	PANEL FASTENER PACK
1	THESE INSTRUCTIONS



1

Removing Panel from Box

Open the box and remove the Propel panel and other items. Separate foam from panel. Check the Parts List to ensure all items are present. Recycle packaging.

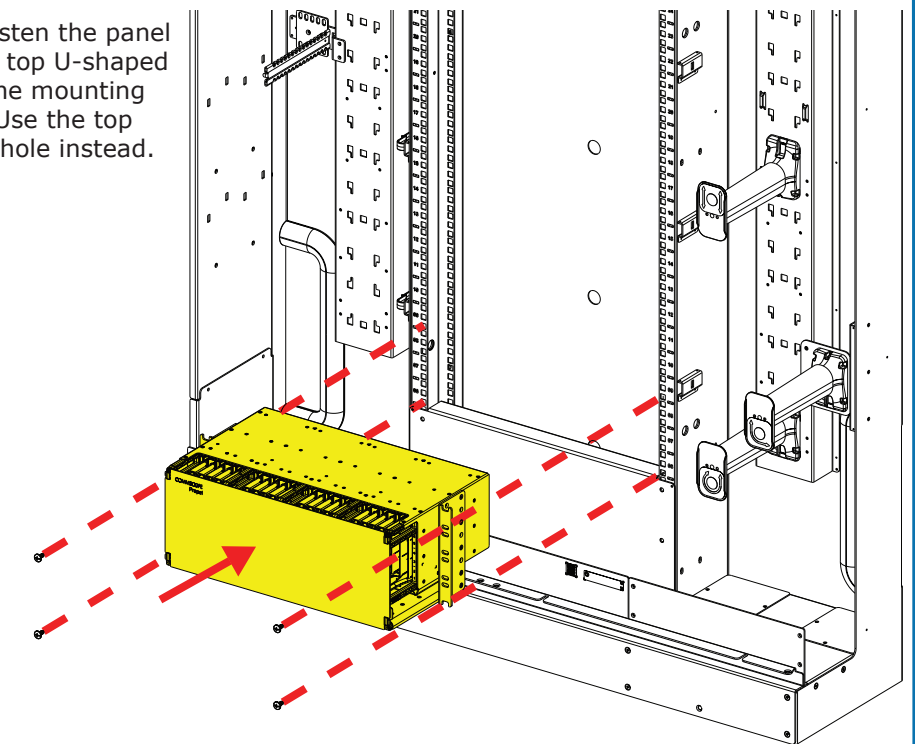


2

Mounting Panel on Frame

Mount the panel by installing the provided cage nuts in the rack. Fasten the provided mounting screws through the panel mounting bracket and into the cage nut locations.

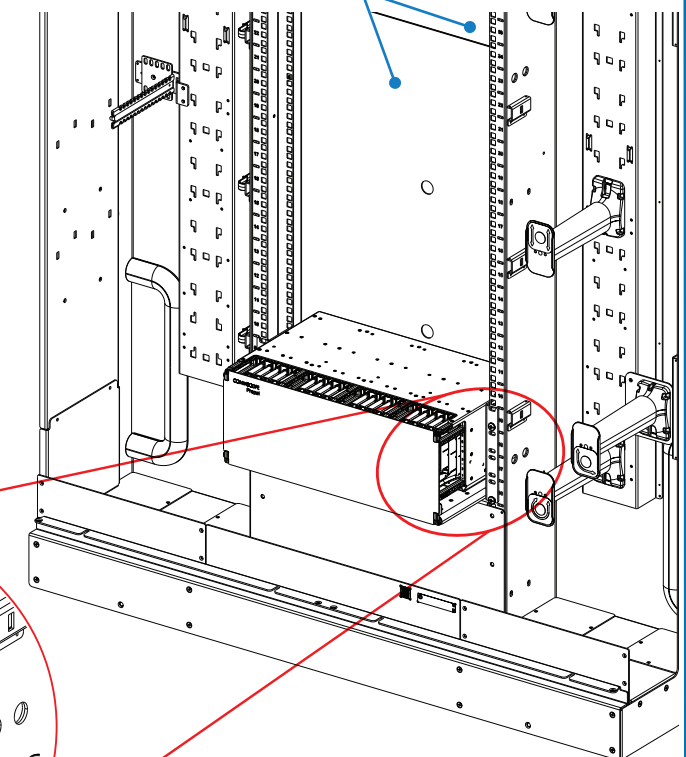
Do not fasten the panel using the top U-shaped hole on the mounting bracket. Use the top most full hole instead.



NOTE: IMPORTANT: Propel XFrame Rear Covers cannot be assembled or removed with Panels installed. Fully assemble and secure Frame before mounting Panels.

NOTE: For easier installation, if space permits, (a) install bottom screws first, and (b) set the panel on top of them while (c) installing the top two screws.

Propel XFrame Rear Covers (2)

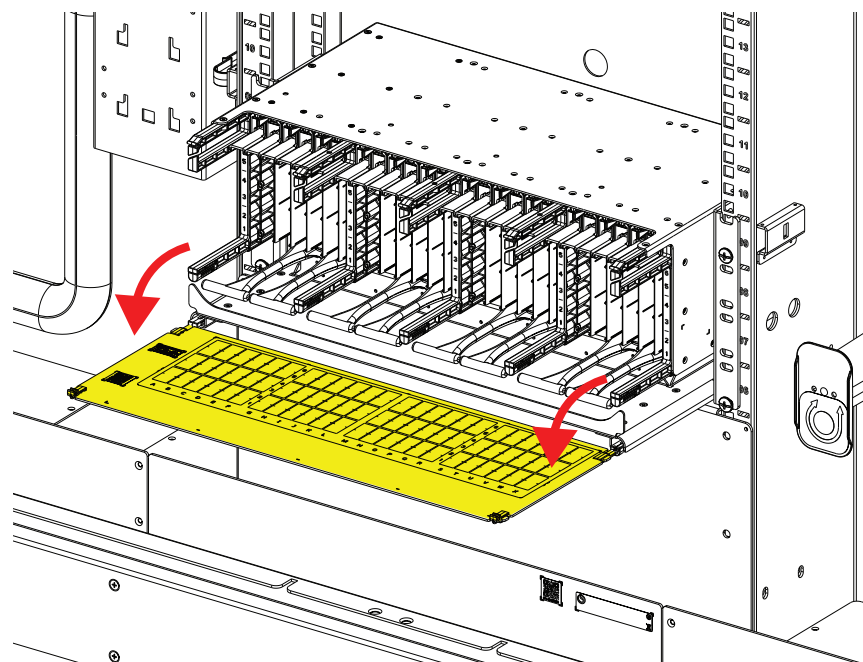


Panel shown mounted in Propel XFrame

3

Opening and Closing Panel

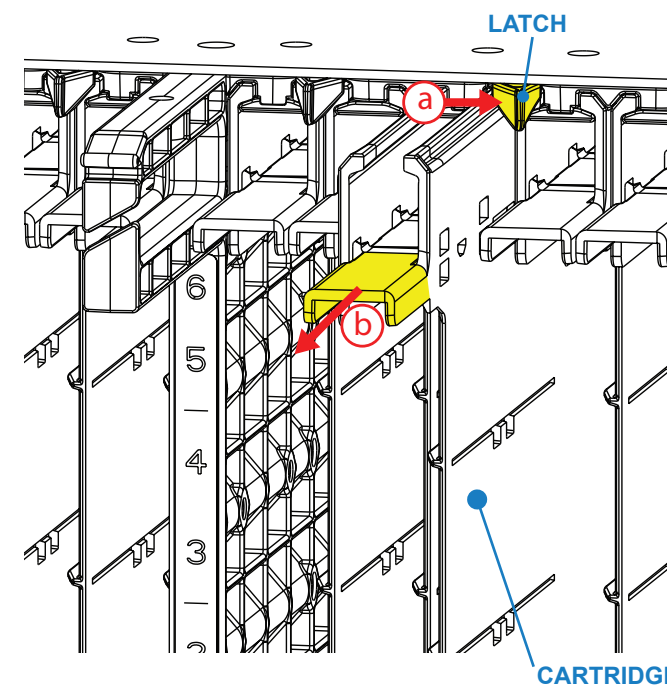
Grasp front cover at upper outside corner on each side and pull it out allowing it to swing down. To close cover, swing it up until it clicks into place.



4

Removing Cartridge from Panel

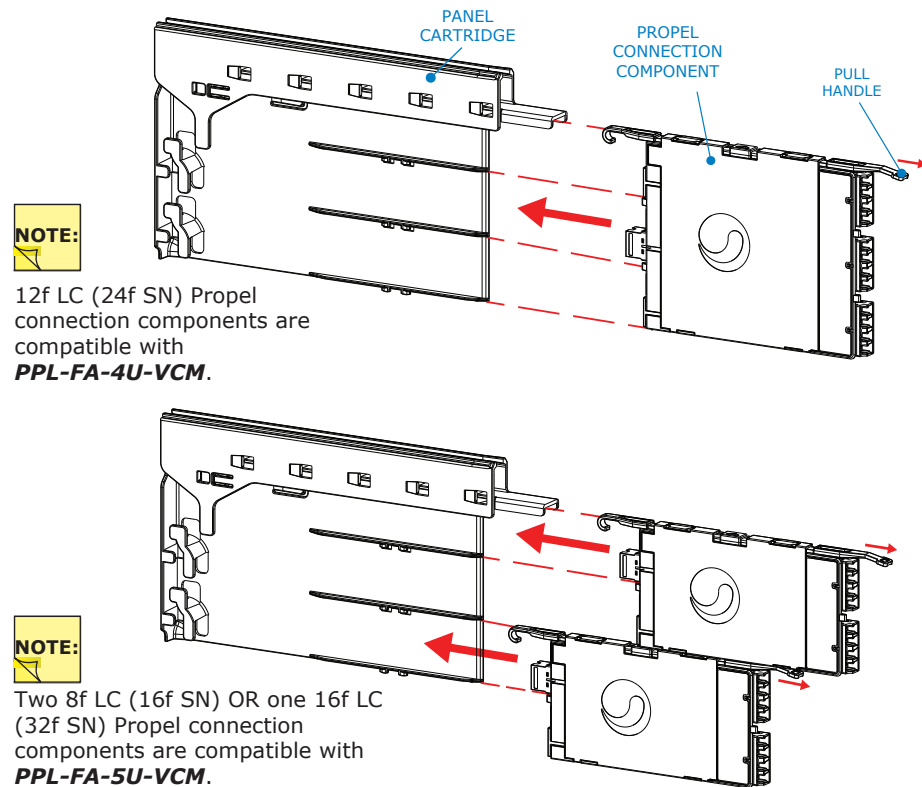
To remove a cartridge from the panel, (a) deflect the adjacent latch to the side away from the cartridge, then (b) grasp and pull the cartridge out until it is freed from its panel track.



NOTE: Each latch secures two cartridges. To remove the cartridge on the left, deflect the latch to the right. To remove the cartridge on the right, deflect the latch to the left.

5 Installing Propel Connection Components

To install a Propel connection component into a panel cartridge, align the slots on the connection component with the rail features on the cartridge and slide together until an audible “click” is heard. To remove, pull on the handle feature of the connection component.



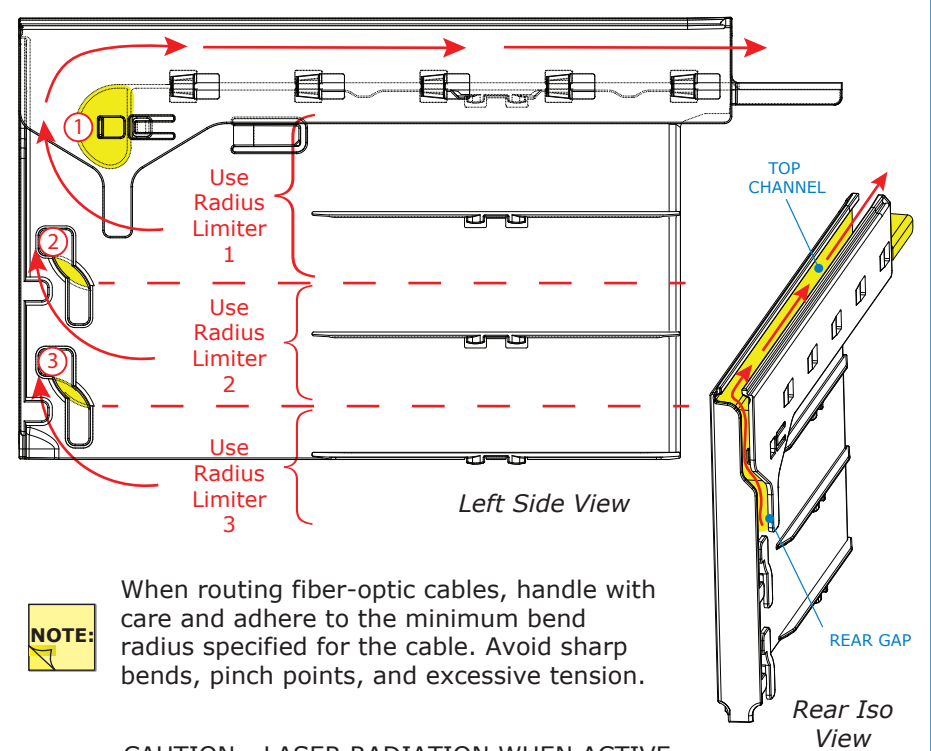
NOTE:
12f LC (24f SN) Propel connection components are compatible with **PPL-FA-4U-VCM**.

NOTE:
Two 8f LC (16f SN) OR one 16f LC (32f SN) Propel connection components are compatible with **PPL-FA-5U-VCM**.

6 Connecting and Routing Entry Cables

Entry cables can be connected before or after the Propel connection component is installed in the cartridge.

After connecting entry cable(s), route from the back of the connection component around the nearest cartridge radius limiter, through the rear gap, and out the front of the top channel.



NOTE: When routing fiber-optic cables, handle with care and adhere to the minimum bend radius specified for the cable. Avoid sharp bends, pinch points, and excessive tension.

CAUTION - LASER RADIATION WHEN ACTIVE. AVOID EYE OR SKIN EXPOSURE TO DIRECT OR SCATTERED RADIATION.

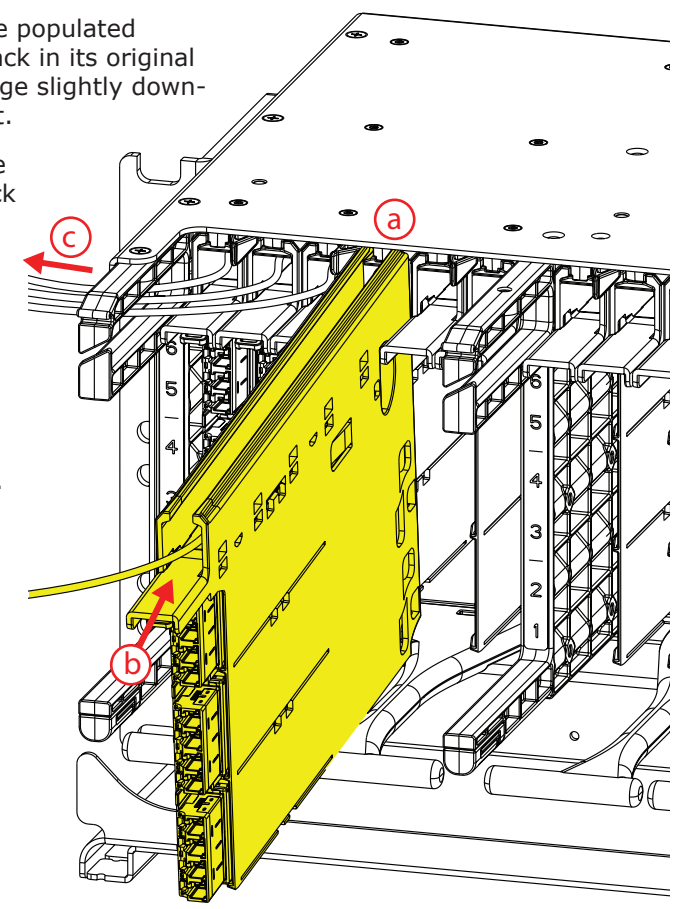
7 Installing Populated Cartridge in Panel

Align the top channel of the populated cartridge with the panel track in its original location (a). Tip the cartridge slightly downward to facilitate alignment.

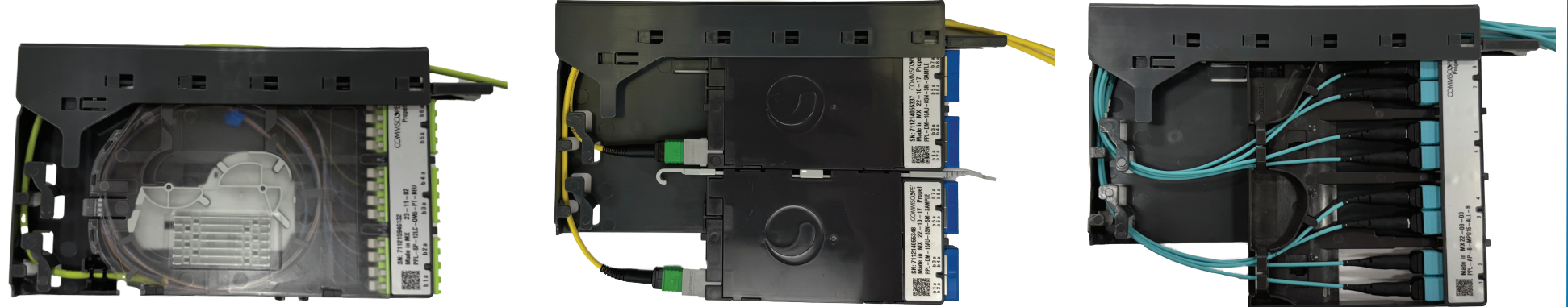
Push the cartridge from the front and slide it to the back of the panel (b). When a cartridge is fully installed, the adjacent latch will deflect back to neutral.

Route the entry cable(s) through the top cable management rings of the panel and into the Cable Entry side of the frame (c). Frame cable management instructions are included with the Propel XFrame.

NOTE: Best practice for VCM Panels is to start on the Cable Entry side and work towards the Patch Cord Management side (see Step 8).



Example Cartridge Configurations



- 12f LC SPLICE CASSETTE
- SINGLE ENTRY CABLE
- OM5 MULTIMODE FIBER
- FOR USE WITH 4RU VCM PANEL
- 2 x 16f MPO-to-SN DISTRIBUTION MODULES
- TWO ENTRY CABLES
- SINGLEMODE FIBER
- FOR USE WITH 5RU VCM PANEL
- 8-PORT MPO ADAPTER PACK
- EIGHT ENTRY CABLES
- OM4 MULTIMODE FIBER
- FOR USE WITH 5RU VCM PANEL

NOTE: Refer to online User Manual and Ordering Guide for compatible Propel connection components, cable assemblies and patch cords.

8 Connecting and Routing Patch Cords

Patch cords can be connected before or after the cartridge is installed in the panel. After connecting patch cords, route down the panel, through the cable management trough, and into the Patch Cord Management side of the frame.

Patching can begin on either side of the panel, but best practice is to start on the Cable Entry side and work towards the Patch Cord Management side.

