



IFEB30, Indoor Fiber Optic Wall mount Enclosure, Splice / Patch, SC/APC Pigtails and Adapters (24), Single Circuit (4f) trays(12) ANT, Feeder Cable Seal 4x15mm and 24x7mm drop seal, RAL 9010

- Compact, wall mountable fiber enclosures for indoor use
- Specifically designed for fast FTTH deployment and easy customer connection
- Configurable as splice only or connectorized solution
- Multiple and modular wrap around cable port sealing options to suit a wide range of cables
- Easy intergration of 900µm connectorised or 250µm splice splitters
- Single Element (SE), Single Slim Element (SLE) or Single Circuit (SC) tray options - Smouv and ANT
- Powered by NOVUX™

## Product Classification

<b>Regional Availability</b>	EMEA
<b>Portfolio</b>	CommScope®
<b>Product Type</b>	Fiber wall box
<b>Product Series</b>	IFEB-30

## General Specifications

<b>Functionality</b>	Patching   Splicing
<b>Access</b>	Front
<b>Adapter Ports, quantity</b>	24
<b>Cable Ports, quantity</b>	4
<b>Drop Port, quantity</b>	24
<b>Enclosure Color</b>	Pure White (RAL 9010)
<b>Front Cover Type</b>	Snap-on cover
<b>Interface</b>	SC/APC
<b>Pigtails Included, quantity</b>	24
<b>Splice Tray Construction</b>	SC (Single circuit)
<b>Splicing Capacity, maximum</b>	48
<b>Splicing Type</b>	ANT

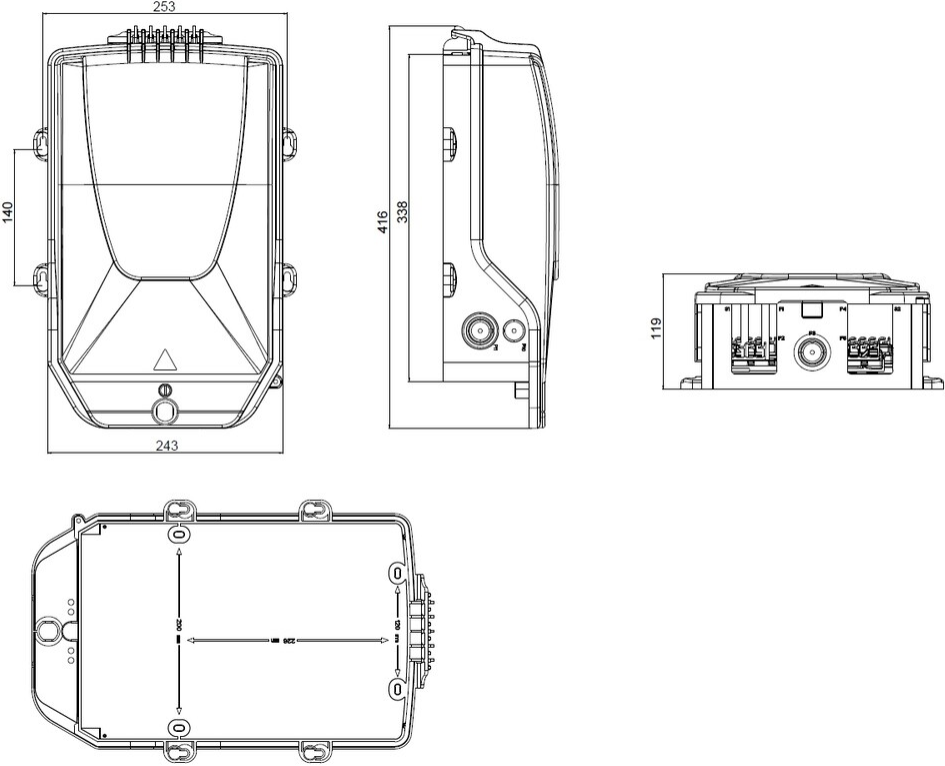
## Dimensions

<b>Height</b>	340 mm   13.386 in
---------------	--------------------

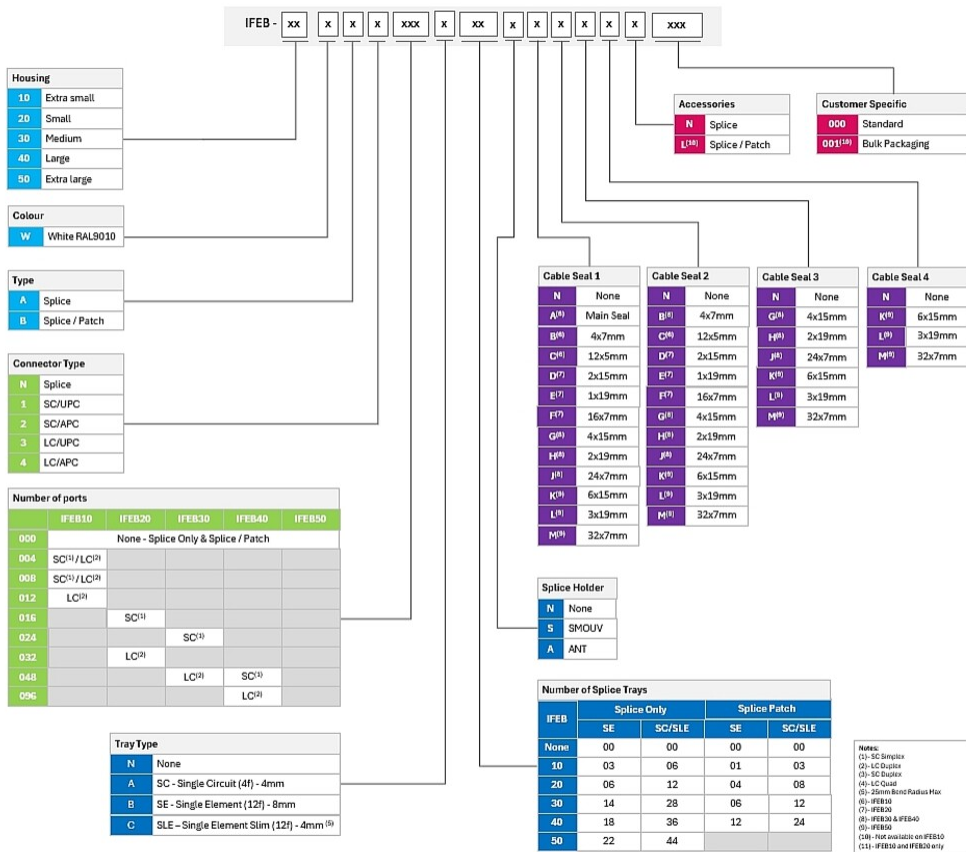
# 760259795 | IFEB-30WB2024A12AGJNNN000

<b>Height, with cover</b>	420 mm   16.535 in
<b>Width</b>	240 mm   9.449 in
<b>Depth</b>	120 mm   4.724 in

## Dimension Drawing



## Ordering Tree



## Environmental Specifications

- Installation temperature** -5 °C to +45 °C (+23 °F to +113 °F)
- Operating Temperature** -10 °C to +60 °C (+14 °F to +140 °F)
- Environmental Space** Indoor
- Flammability Rating** UL 94 V-0
- Qualification Standards** IEC 60529, IP50 | IEC 61753-1 Ed.2 2018 - Category C

## Packaging and Weights

- Included** Adapters (24) | Box (1) | Drop Seal, 24x7 (1) | Feeder Seal, 4x15 (1) | SC ANT trays (12)
- Packaging quantity** 1
- Packaging Type** Box

## Regulatory Compliance/Certifications

- Agency**
- Classification**

CHINA-ROHS	Below maximum concentration value
REACH-SVHC	Compliant as per SVHC revision on <a href="http://www.commscope.com/ProductCompliance">www.commscope.com/ProductCompliance</a>
ROHS	Compliant
UK-ROHS	Compliant

