

IFEB10, Indoor Fiber Optic Wall mount Enclosure, Splice Only, Single Element trays(3) Smouv, main cable seal and 12x5mm drop seal, RAL 9010

- Compact, wall mountable fiber enclosures for indoor use
- Specifically designed for fast FTTH deployment and easy customer connection
- Configurable as splice only or connectorized solution
- Multiple and modular wrap around cable port sealing options to suit a wide range of cables
- Easy intergration of 900µm connectorised or 250µm splice splitters
- Single Element (SE), Single Slim Element (SLE) or Single Circuit (SC) tray options - Smouv and ANT
- Powered by NOVUX™

Product Classification

Regional Availability	EMEA
Portfolio	CommScope®
Product Type	Fiber wall box
Product Series	IFEB-10

General Specifications

Functionality	Splicing
Access	Front
Adapter Ports, quantity	0
Cable Ports, quantity	1
Drop Port, quantity	12
Enclosure Color	Pure White (RAL 9010)
Front Cover Type	Snap-on cover
Interface	Splicing only
Pigtails Included, quantity	0
Splice Tray Construction	SE (Single element)
Splicing Capacity, maximum	36
Splicing Type	SMOUV

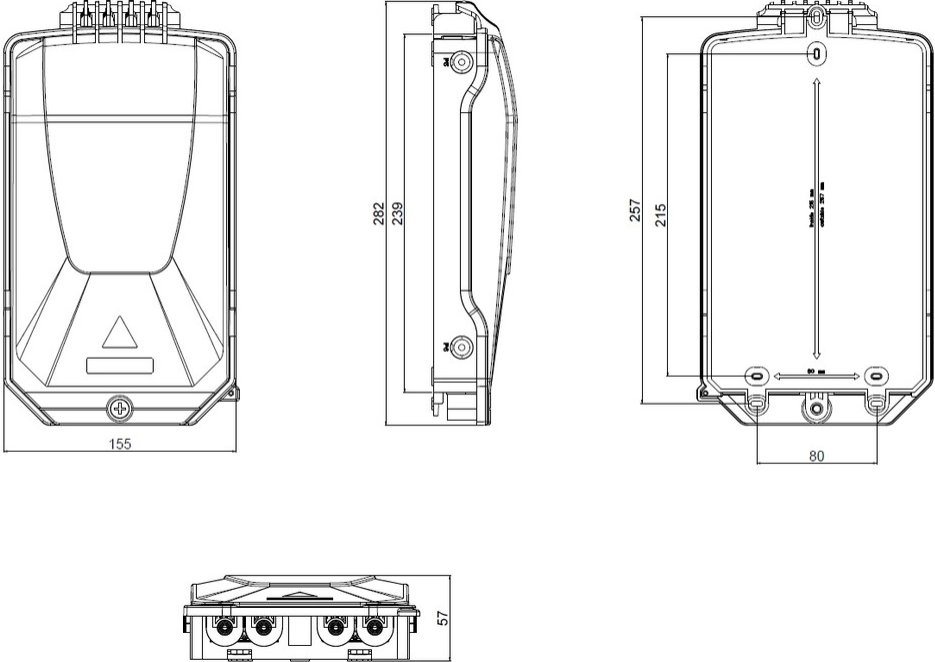
Dimensions

Height	260 mm 10.236 in
---------------	--------------------

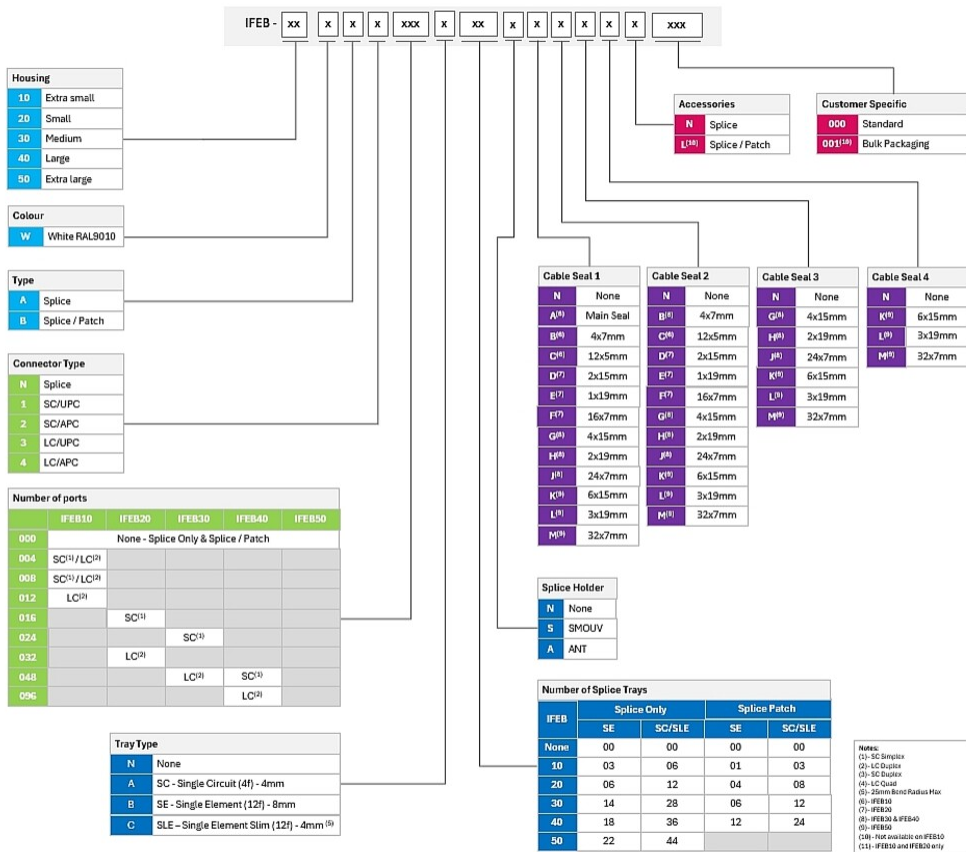
760259782 | IFEB-10WAN000B03SACNNN000

Height, with cover	285 mm 11.22 in
Width	155 mm 6.102 in
Depth	60 mm 2.362 in

Dimension Drawing



Ordering Tree



Environmental Specifications

- Installation temperature** -5 °C to +45 °C (+23 °F to +113 °F)
- Operating Temperature** -10 °C to +60 °C (+14 °F to +140 °F)
- Environmental Space** Indoor
- Flammability Rating** UL 94 V-0
- Qualification Standards** IEC 60529, IP50 | IEC 61753-1 Ed.2 2018 - Category C

Packaging and Weights

- Included** Box (1) | Drop Seal, 12x5 (1) | Main Seal (1) | SE Smouv trays (3)
- Packaging quantity** 1
- Packaging Type** Box

Regulatory Compliance/Certifications

- Agency**
- Classification**

CHINA-ROHS	Below maximum concentration value
REACH-SVHC	Compliant as per SVHC revision on www.commscope.com/ProductCompliance
ROHS	Compliant
UK-ROHS	Compliant

