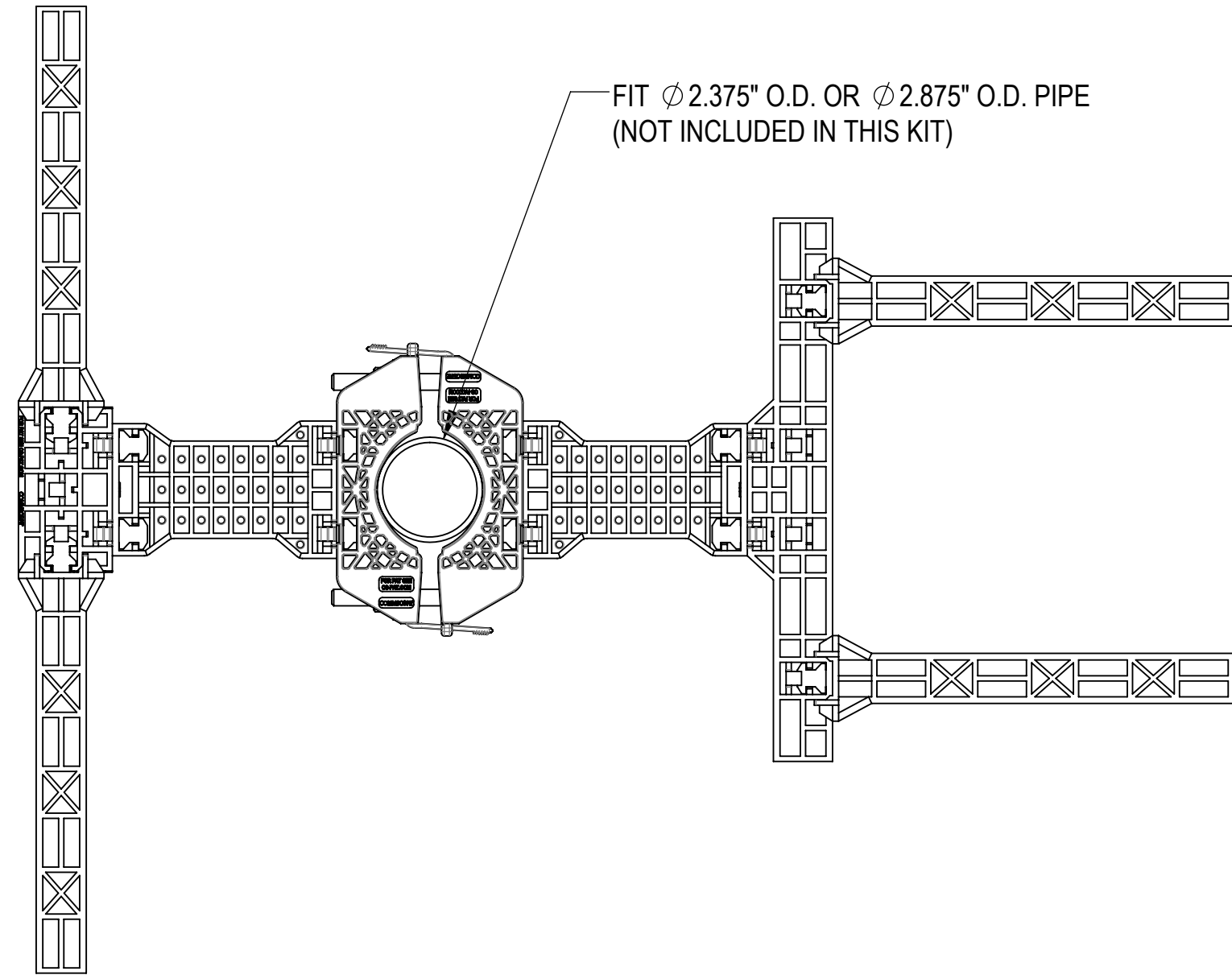
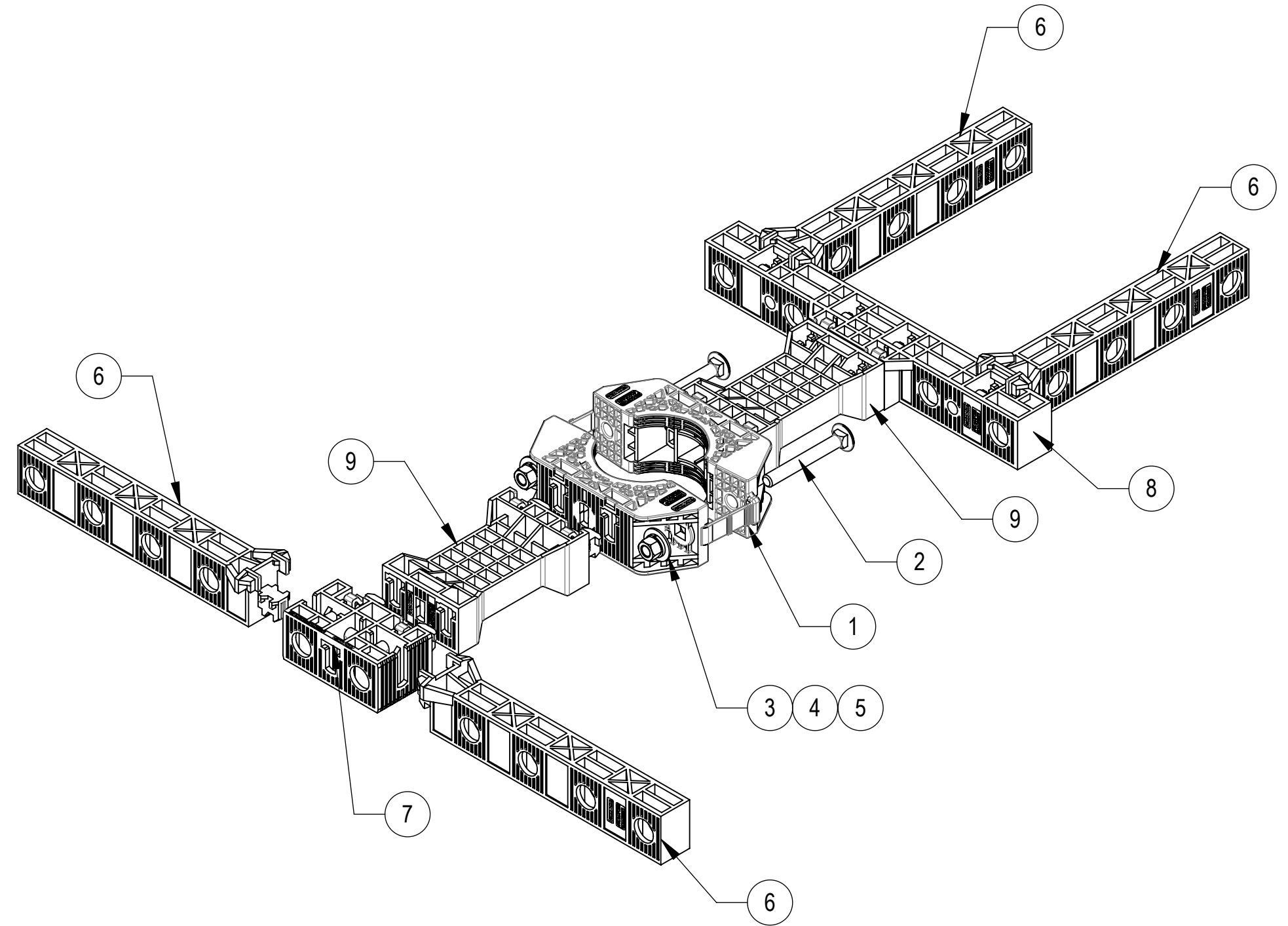


- 1.0 GENERAL NOTES
 1.1 ALL METRIC DIMENSIONS ARE IN BRACKETS [X.X]
 1.2 FEATURES CRITICAL TO QUALITY ARE INDICATED IN ROUNDED BOX (X.X)
 2.0 DESIGN NOTES
 3.0 MANUFACTURING/SPECIAL REQUIREMENTS
 3.1 TIGHTEN ALL BOLTS SECURING FLAT PLATES BY THE TURN-OF-NUT METHOD.
 4.0 TEST
 5.0 PACKAGING
 5.1 PACKAGING MUST BE AGREED TO IN WRITING BY COMMSCOPE PRIOR TO MASS-PRODUCTION APPROVAL.
 5.2 PARTS ARE TO BE PACKAGING IN A MANNER OT PREVENT DAMAGE DURING SHIPMENT & STORAGE.
 5.3 PACKAGING TO ADHERE TO ALL COMMSCOPE, LOCAL & FOREIGN (WHERE APPLICABLE) SHIPPING REQUIREMENTS.
 5.4 PACKAGING & PARTS TO BE FREE OF ALL CONTAMINANTS INCLUDING PAPER FROM BOX, DIRT, DUST, OILS, MOLD RELEASE, DETERGENT AND ALL OTHER FOREIGN MATERIALS.

REVISIONS			
REV.	DESCRIPTION	DATE	APPROVED
A	INITIAL RELEASE	JL1183 14JUN24	JX1030 40196238CMO



ASSEMBLY TOP VIEW



INSTALLATION ASSEMBLY

COMPONENT PART NUMBERS PROVIDED FOR ASSEMBLY PURPOSES;
INDIVIDUAL COMPONENTS MAY BE SHIPPED AS PARTS WITHIN AN INCLUDED KIT.

ITEM NO.	PART NUMBER	DESCRIPTION	QTY.	WEIGHT
1	PGCS-1000	CLAMP,FRONT-REAR, POLYMER 4CP	2	0.32 LBS
2	9615-15	BOLT,CARRIAGE,3/8-16,3,STL GALV	2	0.12 LBS
3	GWF-03	3/8" GALV FLAT WASHER	2	0.01 LBS
4	GWL-03	3/8" GALV LOCK WASHER	2	0.01 LBS
5	GN-03	3/8" GALV HEX NUT	2	0.02 LBS
6	PGCS-5000	PANEL, POLYMER, 8CP	4	0.47 LBS
7	PGCS-6000	ADAPTER, POLYMER, 2CP	1	0.21 LBS
8	PGCS-7000	PANEL, POLYMER, 8CP	1	0.30 LBS
9	PGCS-8000	ADAPTER, POLYMER, 4P	2	0.30 LBS

DENSITY		lbs/in ³
MASS	3.22	lbs
VOLUME	78.14	in ³
SURFACE AREA	1361.56	in ²
HEIGHT	21.9"	
LENGTH	27.5"	
WIDTH	2.1"	

COMMSCOPE, INC. OF NORTH CAROLINA

TOLERANCES		SAP MATERIAL MASTER	
1 PLACE .X[X] ± 0.2[6.3]	3 PLACE .XXX[X] ± 0.060[1.5]	PGP-CS38-R	
2 PLACE .XX[X] ± 0.12[3.0]	ANGLES ± 2°		
FINISH		MATERIAL	
UNLESS OTHERWISE SPECIFIED DIMENSIONS ARE IN INCHES INTERPRET PER ANSI Y 14.5M-1994		NAME	DATE
		CE JL1183	14JUN24
		RW JL1183	06/18/2024
		AD JX1030	06/18/2024
		RE JL1183	06/18/2024
ECN 40196238CMO		TITLE	
		PG PREMIUM,CBL-SUPPORT,38-HOLE	
SIZE	Auth Group	INSL	MODEL
C			VERSION
			STATUS
			REVISION
			VERSION
			STATUS
			REVISION
			DRAWING
			VERSION
			STATUS
			REVISION
			SHEET
			1 OF 1

SCALE 1:8 **DOCUMENT NO. PGP-CS38-R**