

MDC-0J1H



RealFlex® 3 Fiber Optic Drop Cable Assembly, Stub to SC/APC , RBR Riser, Ivory, Build America Buy America (BABA)

- *Product complies with the Build America, Buy America Act (BABAA) requirements of the Infrastructure Investment and Jobs Act of 2021 (Pub. L. 117- 58, §§ 70901-70953), or is the subject of a waiver approved by the Secretary of Commerce or designee. Compliance requirements and waiver applicability vary based on government funding program. Check the laws and regulations for your specific program.

Product Classification

Regional Availability	Latin America North America
Portfolio	CommScope®
Product Type	Fiber drop cable assembly
Product Brand	RealFlex®
Product Series	MDC
Government Requirements	Build America Buy America (BABA) compliant*
Ordering Note	For custom cable assembly lengths, please contact your local CommScope representative

General Specifications

Cable Type	Stapleable - Round
Connector A, quantity	1
Color, boot A	Green
Color, connector A	Green
Interface, Connector A	Unterminated
Interface Feature, connector A	Male
Interface, Connector B	SC/APC
Jacket Color	Ivory
Location of Manufacturing	Catawba, North Carolina
Total Fibers, quantity	1
Transmission Standards	TIA/EIA-568-B.3

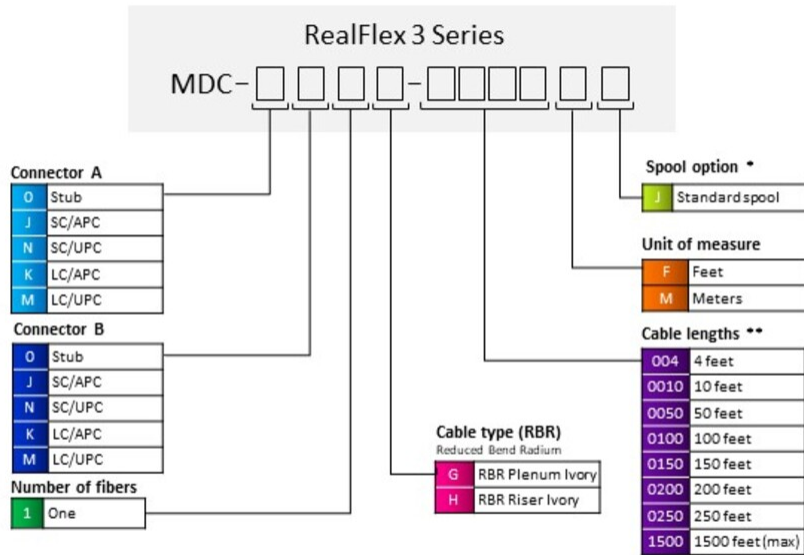
Dimensions

Cable Assembly Length Range (ft)	1 – 1500
---	----------

MDC-OJ1H

Cable Outer Diameter 2.9 mm (0.11 in)

Ordering Tree



*Drops are automatically coiled 0-350 ft. Lengths 351+ are automatically spooled. Connector A deploys first. Add option J if spool is required for lengths 350ft or less.
 **Cable length shown as an example; additional cable lengths available upon request up to 1500 ft

Mechanical Specifications

Minimum Bend Radius, loaded	50 mm 1.969 in
Minimum Bend Radius, unloaded	30 mm 1.181 in
Tensile Load, long term, maximum	30 N 6.744 lbf
Tensile Load, short term, maximum	100 N 22.481 lbf

Optical Specifications

Fiber Mode	Singlemode
Fiber Type	G.657.A2/B2
Insertion Loss, maximum, connector A	0.4 dB
Return Loss, minimum, connector A	65 dB

Environmental Specifications

MDC-0J1H

Installation temperature	-20 °C to +60 °C (-4 °F to +140 °F)
Operating Temperature	-40 °C to +70 °C (-40 °F to +158 °F)
Storage Temperature	-40 °C to +75 °C (-40 °F to +167 °F)
Environmental Space	Riser
Jacket UV Resistance	UV stabilized
Qualification Standards	Telcordia GR-449-CORE

Packaging and Weights

Packaging quantity	1
---------------------------	---