

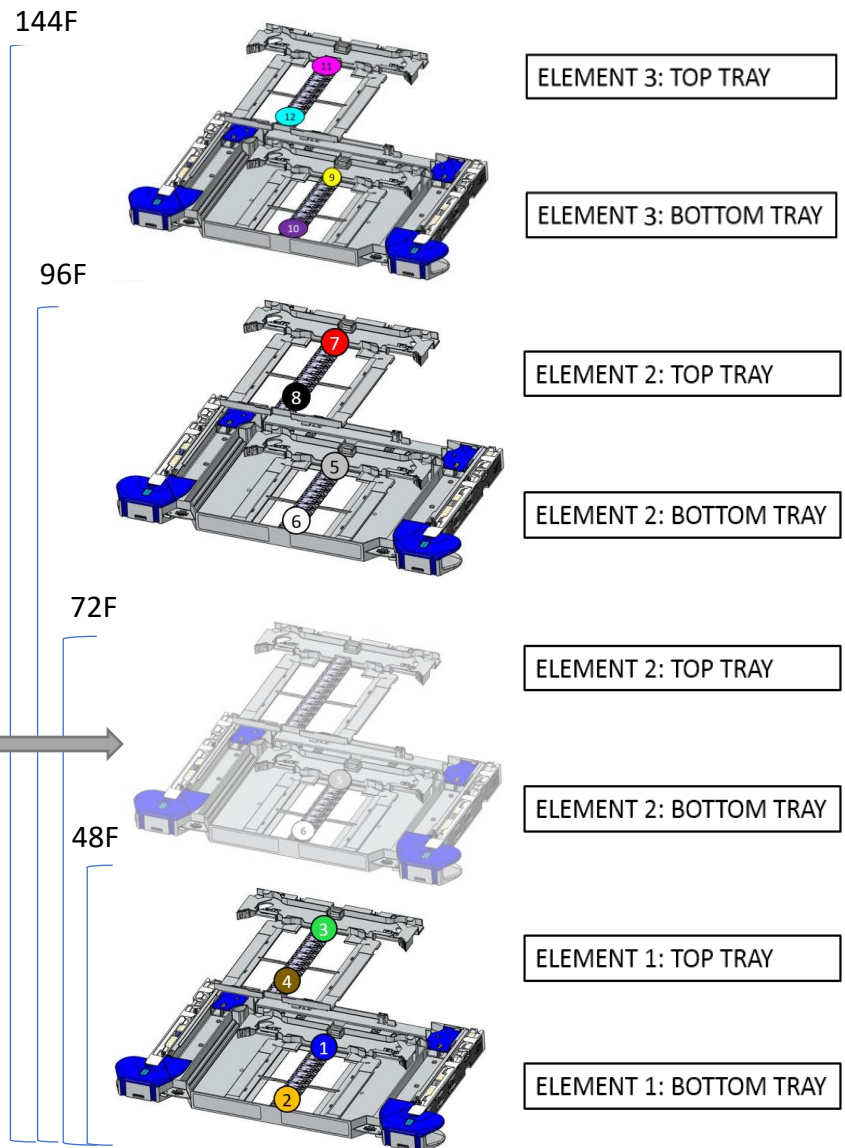
## FACT-LC- standard color coding EIA/TIA Loose tube numbering

### Loose tube numbering

Loose tube number	corresponding color
1	Blue
2	orange
3	green
4	brown
5	grey
6	white
7	red
8	black
9	yellow
10	purple
11	pink
12	turquoise

Only use in the 72F case  
 (2E with 3 trays)

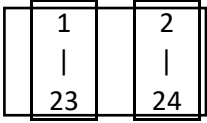
### Loose tubes and corresponding trays



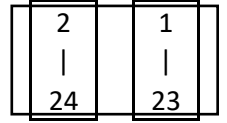
LC consists of 48 connections per element. Two tubes enter each tray. The top 24 connections are connectorized from one tube and the bottom 24 from the other. The picture on the right shows an exploded view of the assembly and where which tube should go.

The picture below describes the position of the tubes and tube holders depending if it is right-hand patch or left-hand patch.

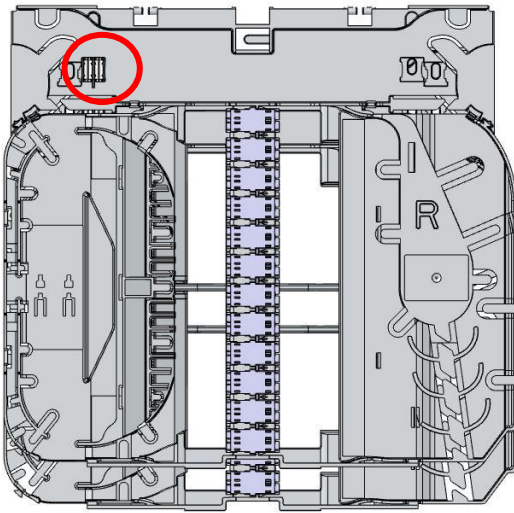
**Tube  
position in  
holder**



**Tube  
position in  
holder**



**RHP TRAYS**



**LHP TRAYS**

