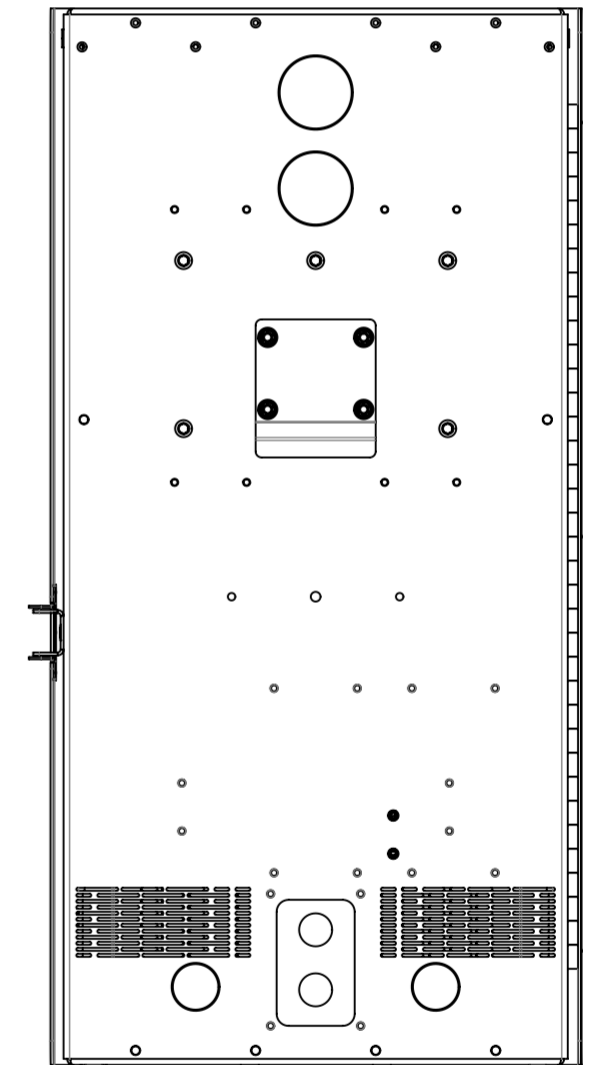
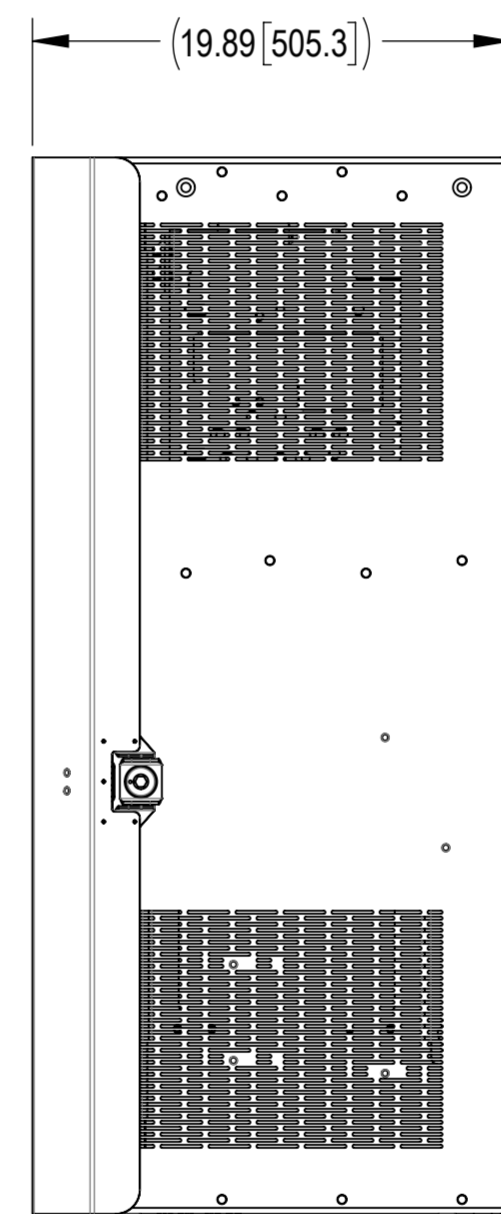
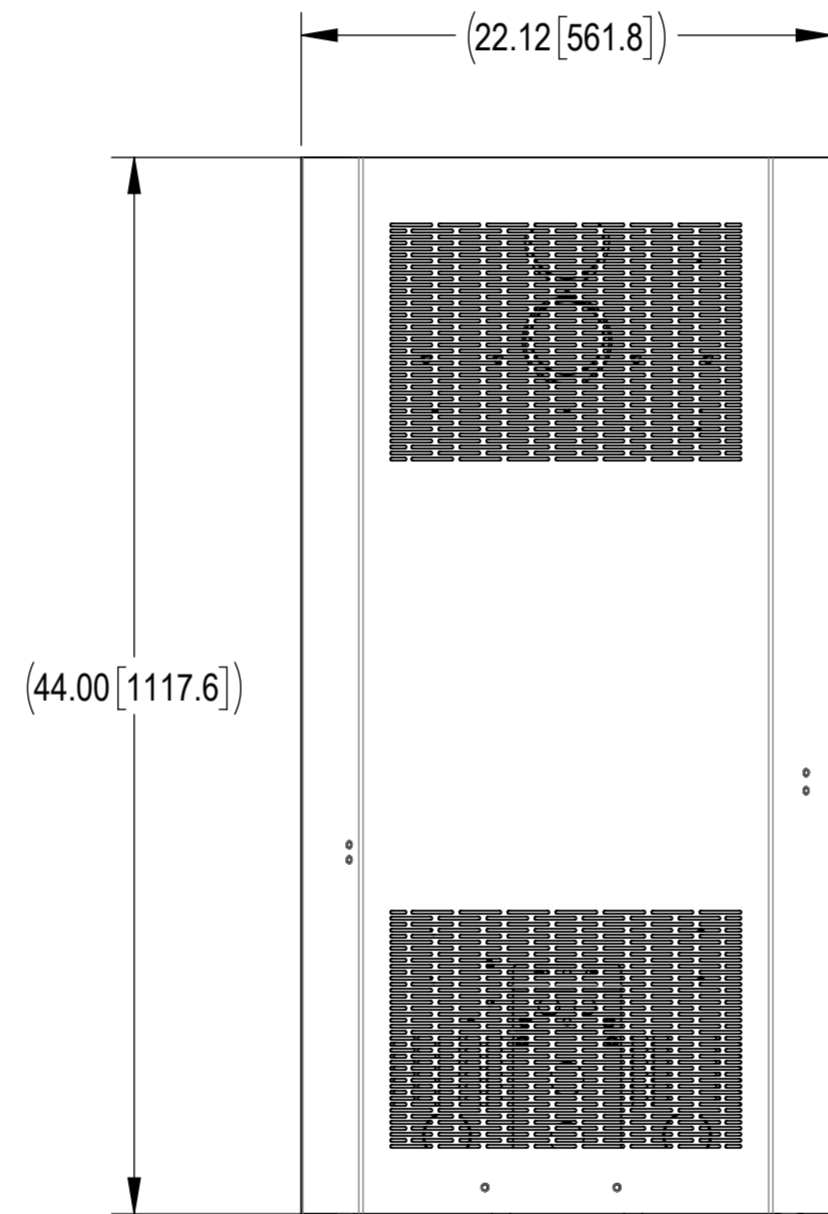
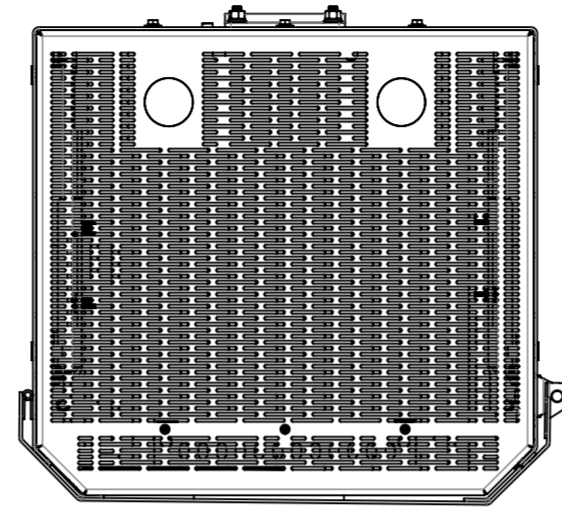
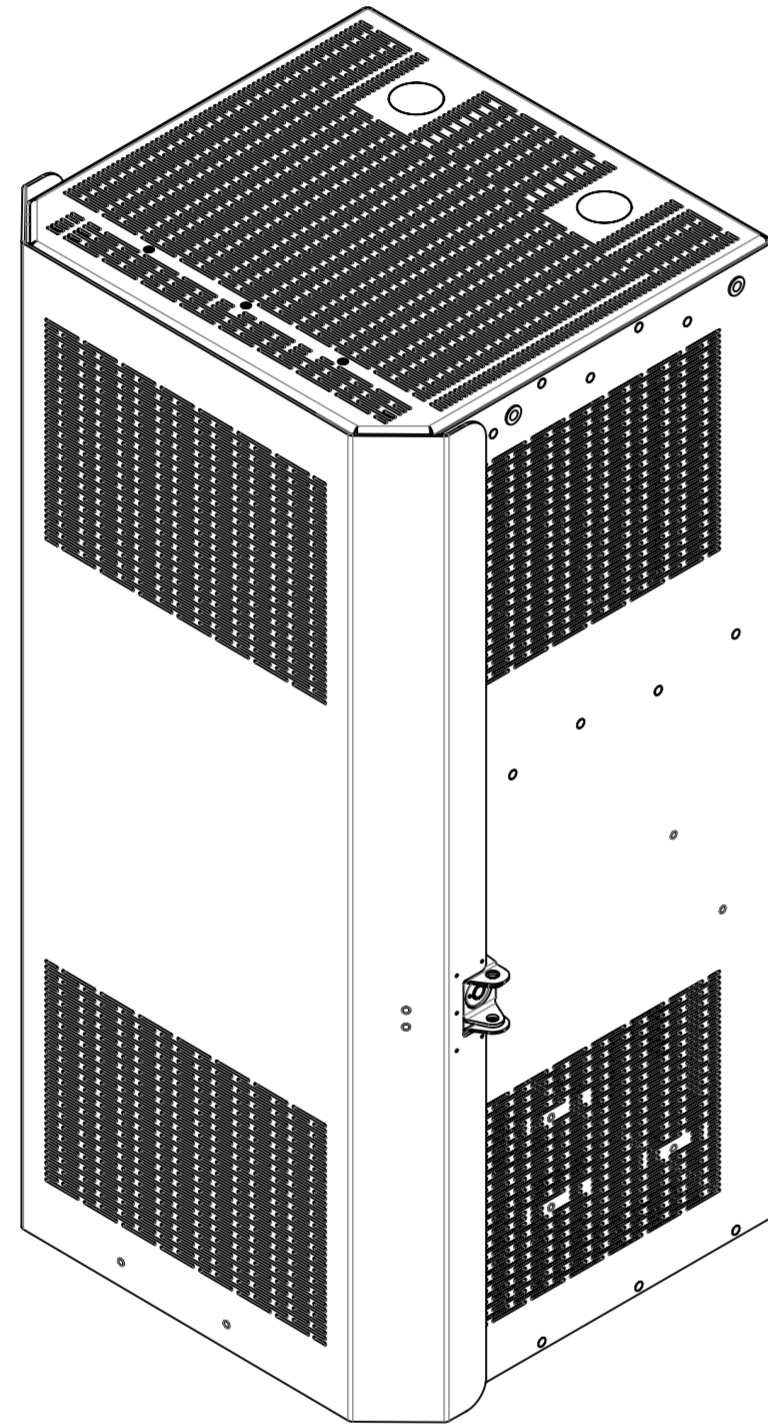


## SSC-760237600E2X-INSTALL INSTALLATION INSTRUCTION

### MICRO RADIO ENCLOSURE - ERICSSON VERSION



REVISIONS			
REV.	DESCRIPTION	DATE	APPROVED
A	INITIAL RELEASE	NSUN 26SEP24	LX1002 40205065CMO

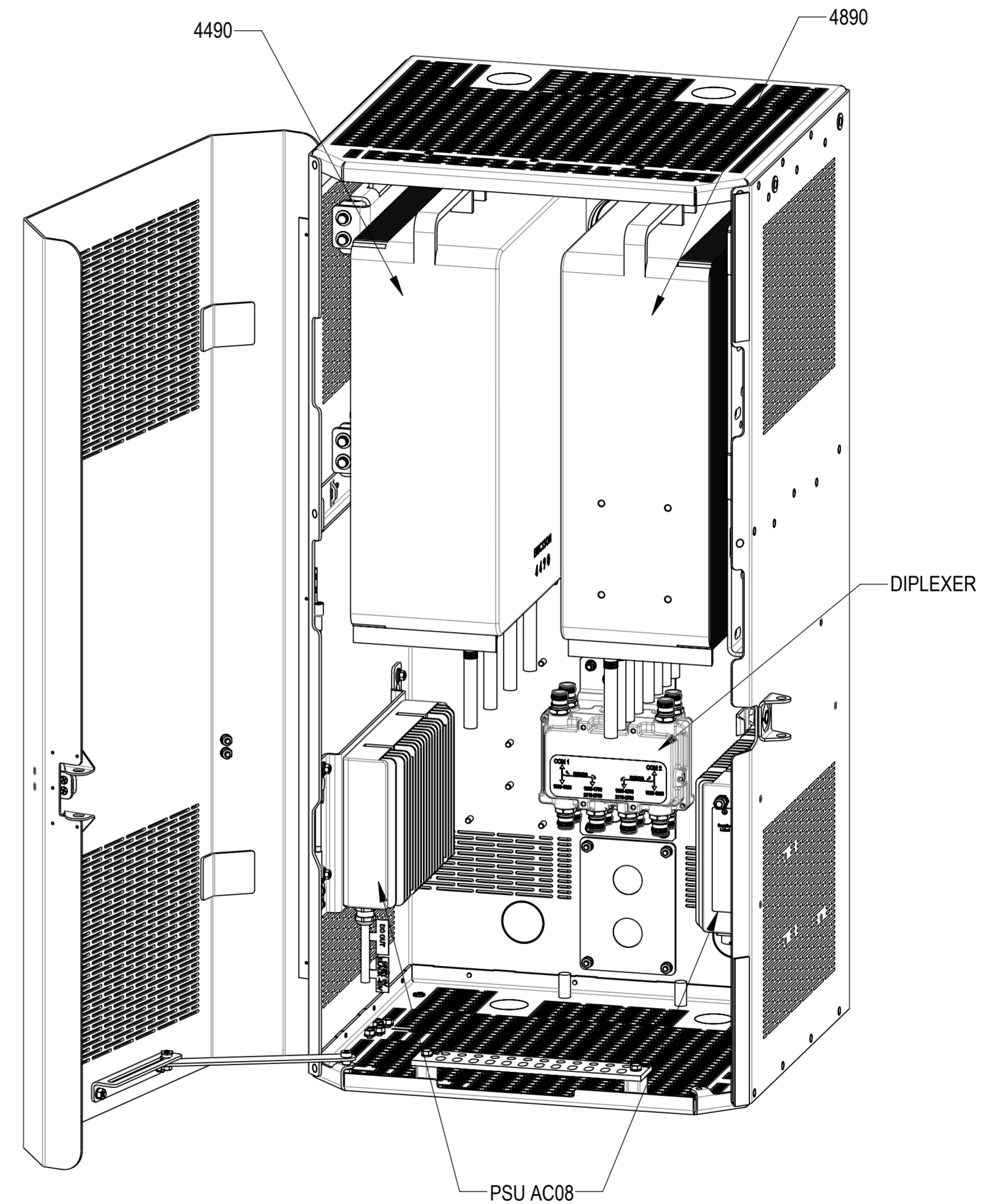
This table show the evolution and history of document from initial to current version.

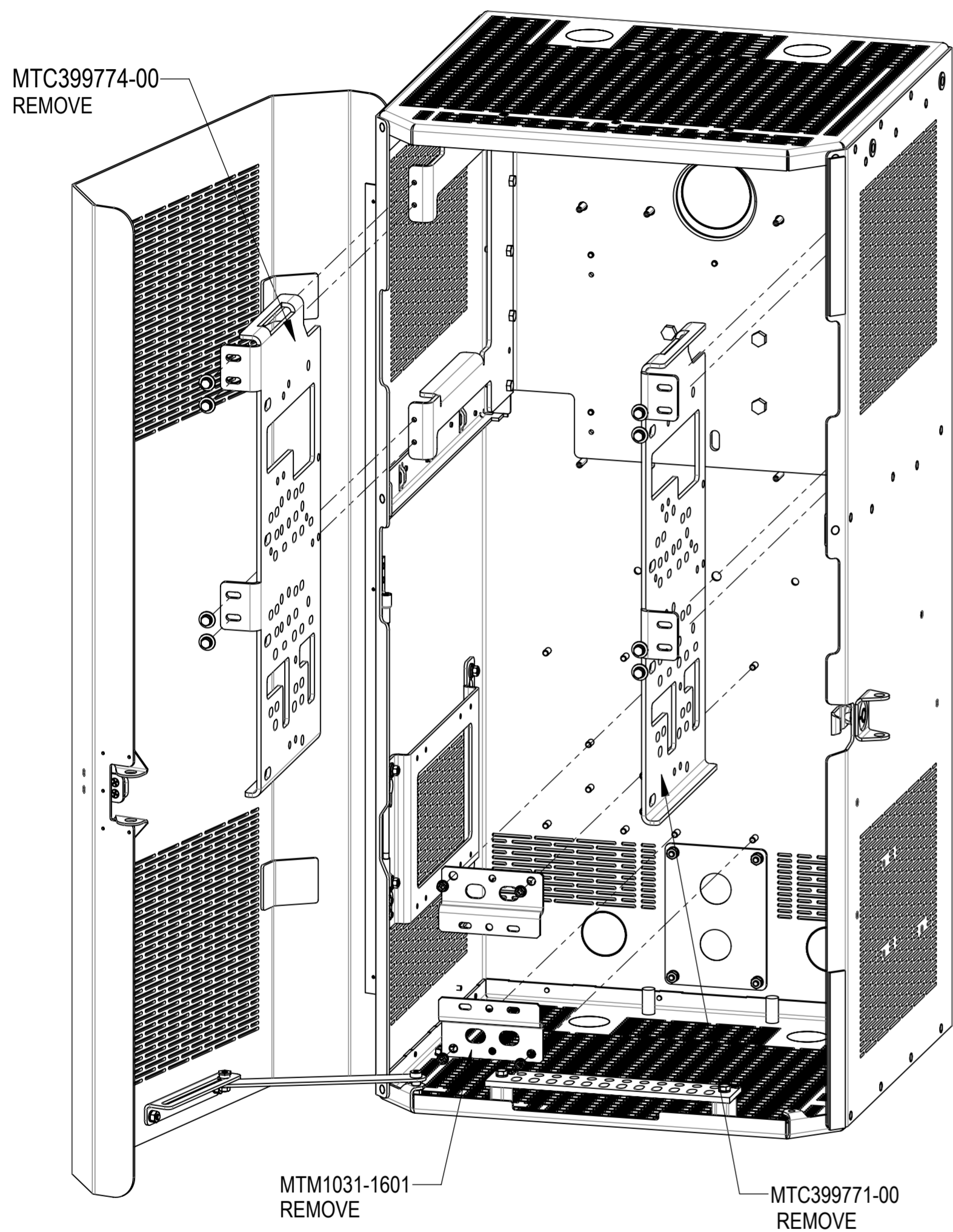
Further information regarding CommScope's commitment can be found at [www.commscope.com/About-Us/Corporate-Responsibility-and-Sustainability](http://www.commscope.com/About-Us/Corporate-Responsibility-and-Sustainability).  
Visit our website or contact your local CommScope representative for more information.  
This product is covered by one or more U.S. patents or their foreign equivalents. For patents, see [www.commscope.com/ProductPatent/ProductPatent.aspx](http://www.commscope.com/ProductPatent/ProductPatent.aspx)

# Installation Instructions

- 1.0 GENERAL NOTES
  - 1.1 ALL DIMENSIONS ARE IN MM, IMPERIAL DIMENSIONS ARE IN INCHES AND SHOWN IN BRACKETS [X.X]
- 2.0 DESIGN NOTES
- 3.0 MANUFACTURING/SPECIAL REQUIREMENTS
  - 3.1 TIGHTEN HARDWARES, TORQUE VALUE ARE SHOWN BELOW AS REFERENCE,
    - M4: TORQUE 19.50 IN-LB OR 2.2 N-M
    - M5: TORQUE 23.0 IN-LB OR 2.6 N-M
    - M6: TORQUE 40.0 IN-LB OR 4.5 N-M (W/ CLIP NUT)
    - M6: TORQUE 46.0 IN-LB OR 5.2 N-M (W/ THREADED CAST AL)
    - M6: TORQUE 75.0 IN-LB OR 8.5 N-M (W/ STEEL NUT)
    - M8: TORQUE 6.6 FT-LB OR 9.0 N-M (W/ THREADED CAST AL)
    - 1/4-20: TORQUE 4.8 FT-LB OR 6.6 N-M
    - 3/8-16: TORQUE 19.6 FT-LB OR 26.6 N-M
  - 3.2 CONFIGURATIONS AND QUANTITY OF EQUIPMENTS IN INSTALLATION ARE LISTED ON TABLE.
  - 3.3 EQUIPMENT INSTALLATION INSTRUCTION ON PAGE 2.

CONFIGURATION	3.2 APPROVED ERICSSON RADIO CONFIGURATIONS			
	4490	4890	AC08	DIPLEXER
1	1	1	2	1

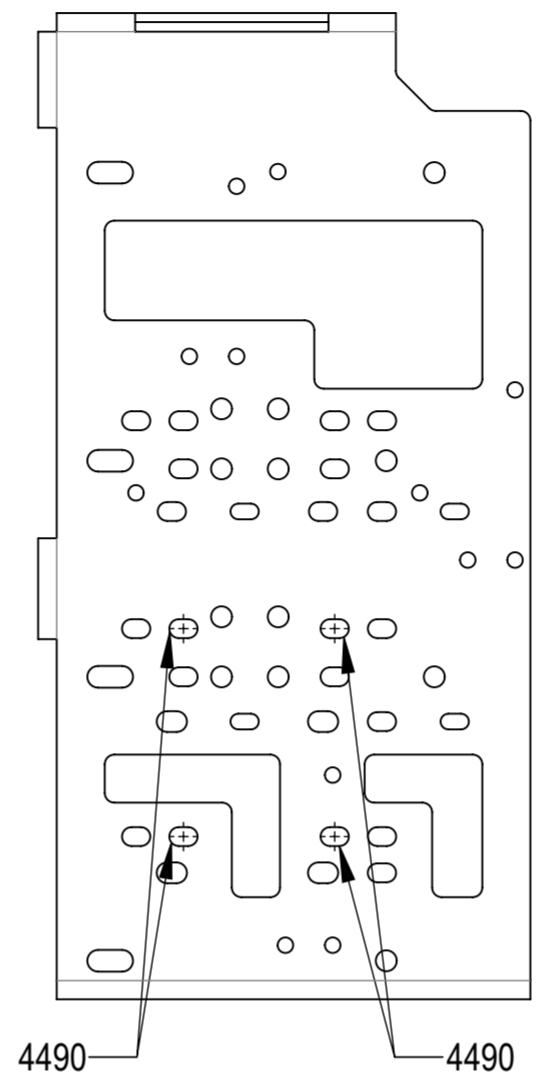




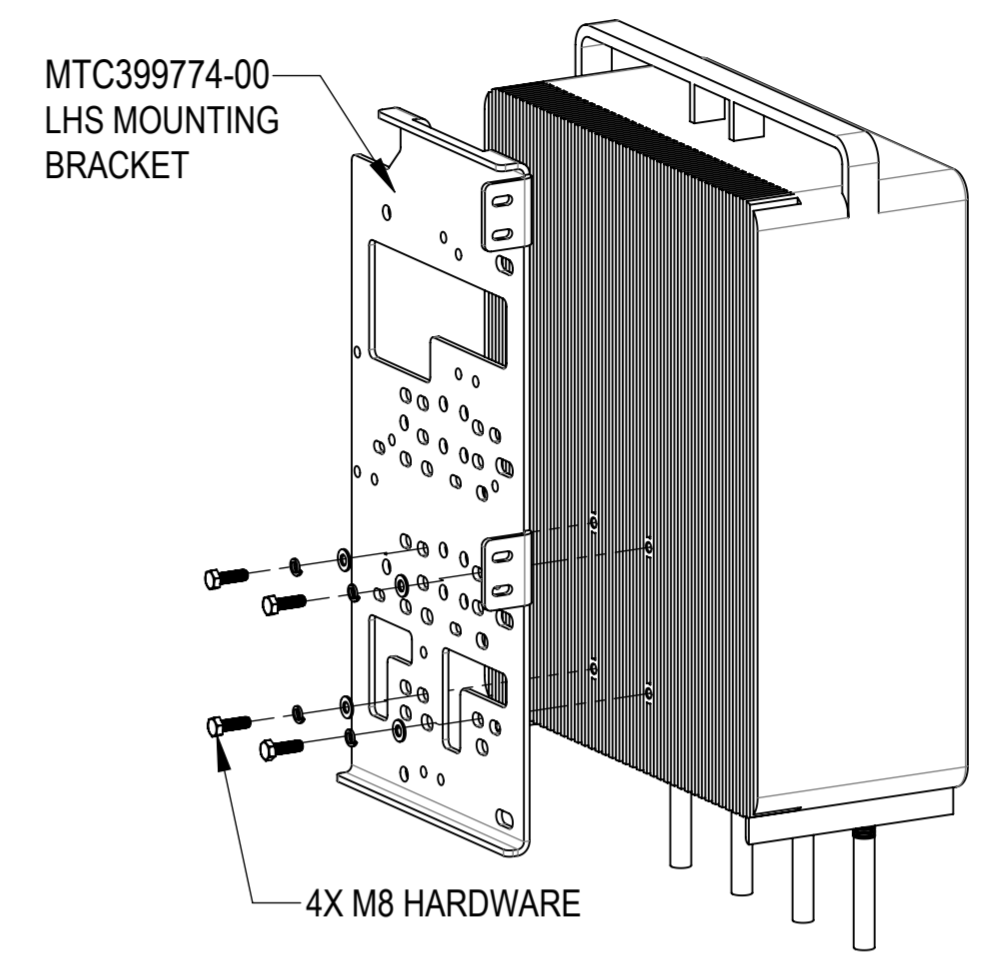
**STEP 1**

TEMPORARILY UNINSTALL RADIO BRACKETS MTC399774-00, MTC399771-00 & MTM1031-1601 FROM THE ENCLOSURE AS SHOWN, INSTALL THESE WITH RADIO TO THE ENCLOSURE

**RADIO INSTALLATION**  
RHS MOUNTING BRACKET MTC399774-00

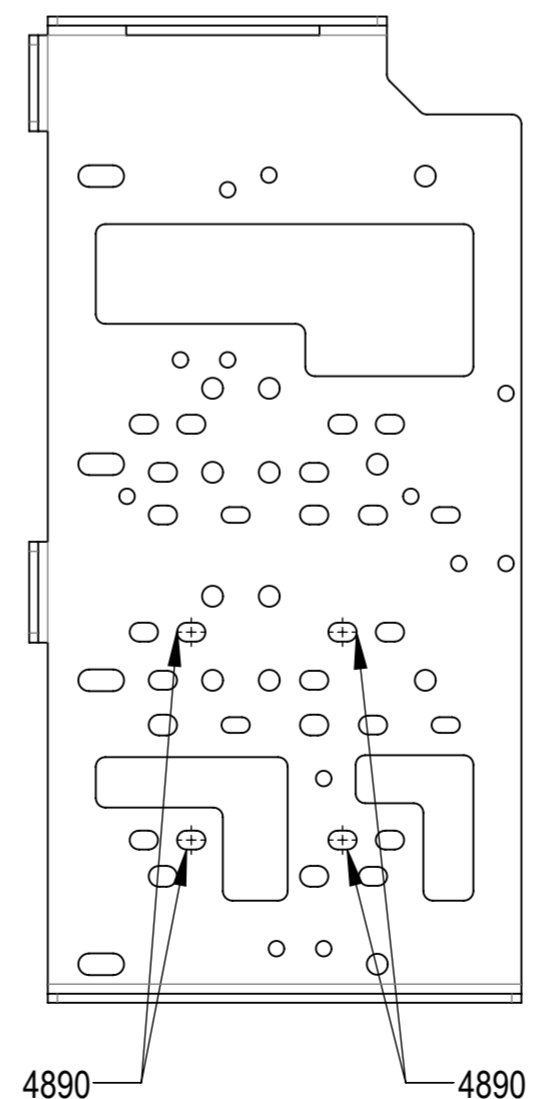


**4490 INSTALLATION**

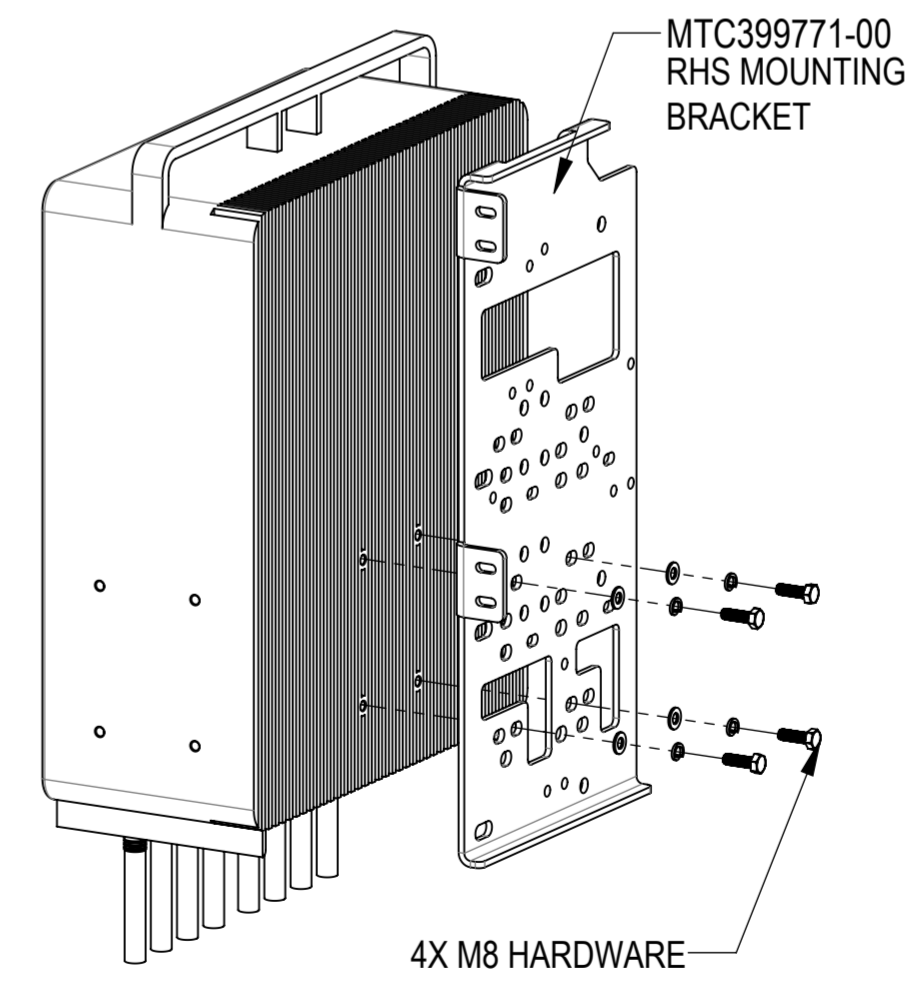


INSTALL 4490 TO THE LHS MOUNTING BRACKET USING 4 SETS OF M8 SCREW, LOCK WASHER AND FLAT WASHER

**RADIO INSTALLATION**  
RHS MOUNTING BRACKET MTC399771-00

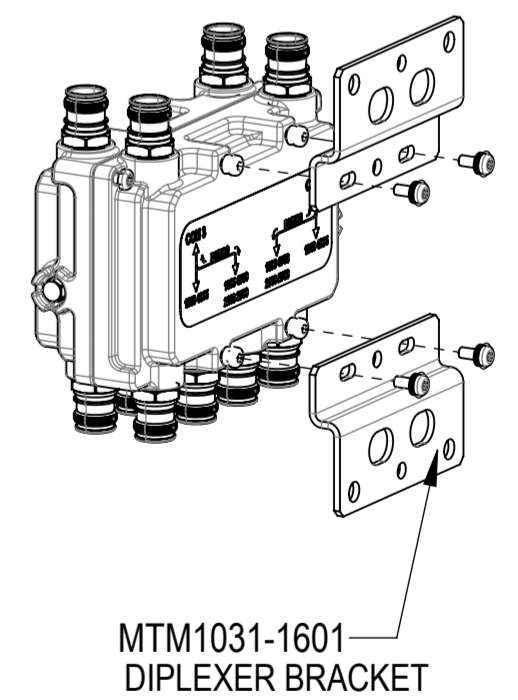


**4890 INSTALLATION**

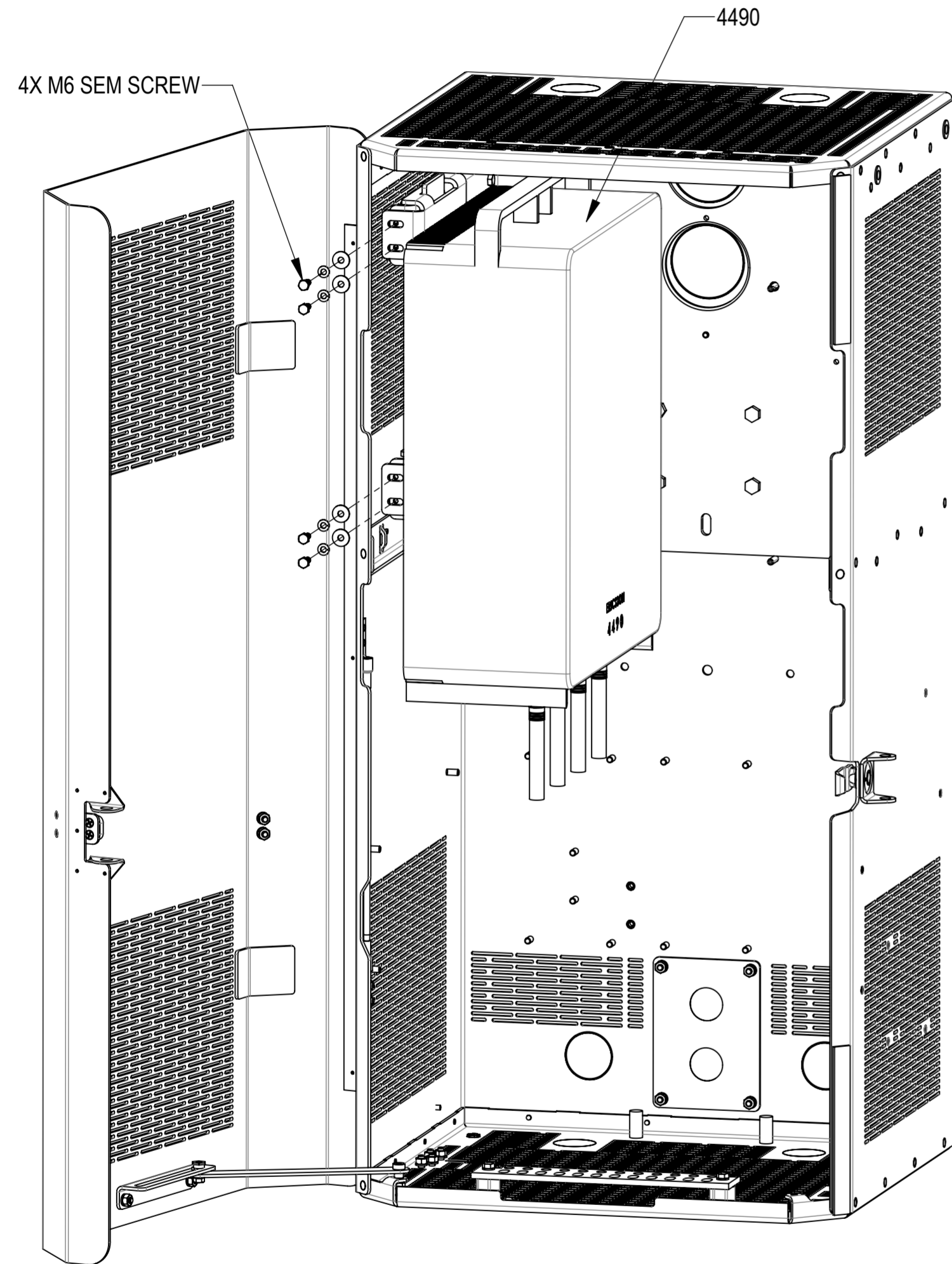


INSTALL 4890 TO THE RHS MOUNTING BRACKET USING 4 SETS OF M8 SCREW, LOCK WASHER AND FLAT WASHER

**DIPLEXER INSTALLATION**

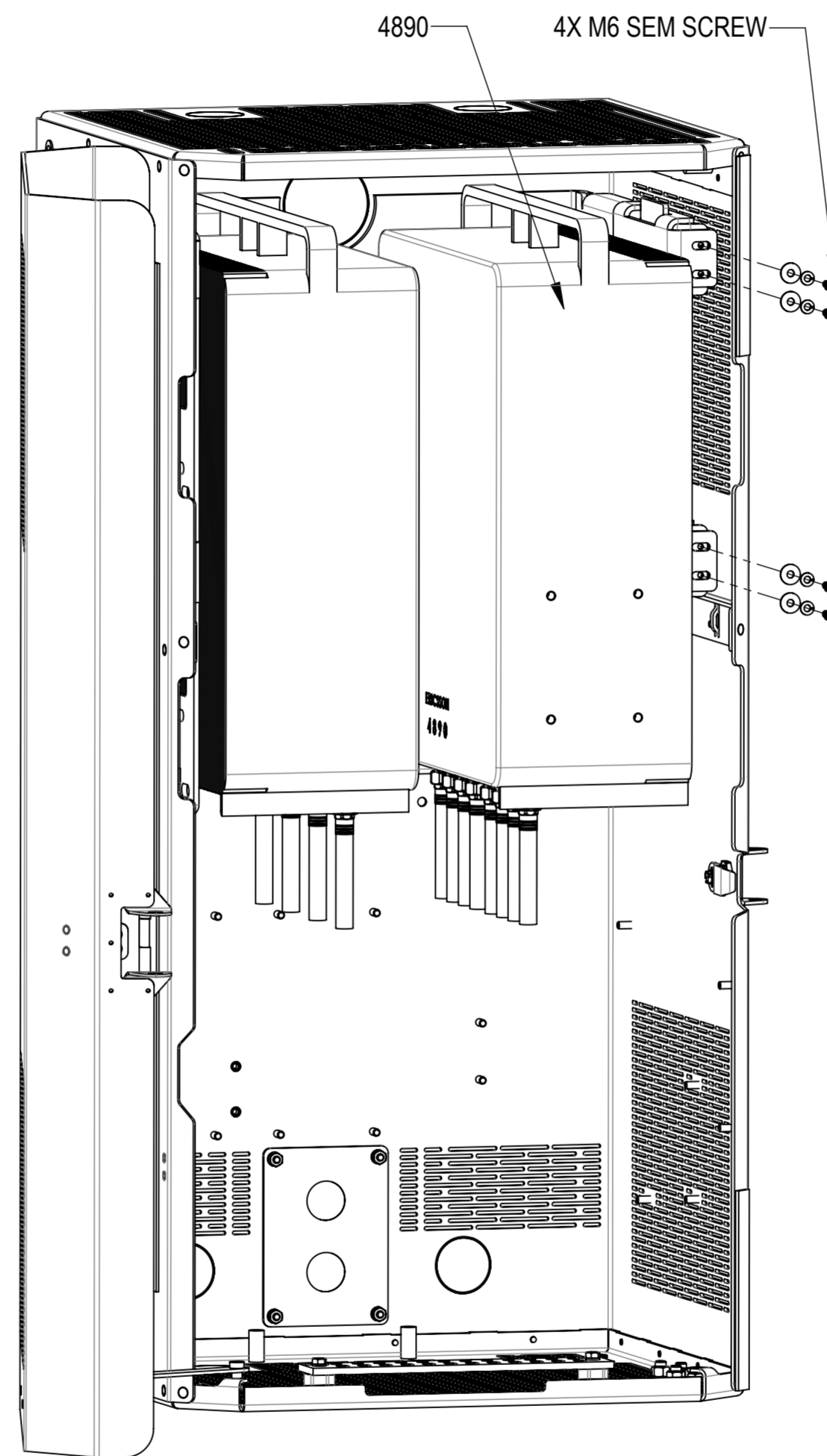


INSTALL THE DIPLEXER TO THE BRACKETS USING M5 CAPTIVE HARDWARE PROVIDED WITH THE DIPLEXER.



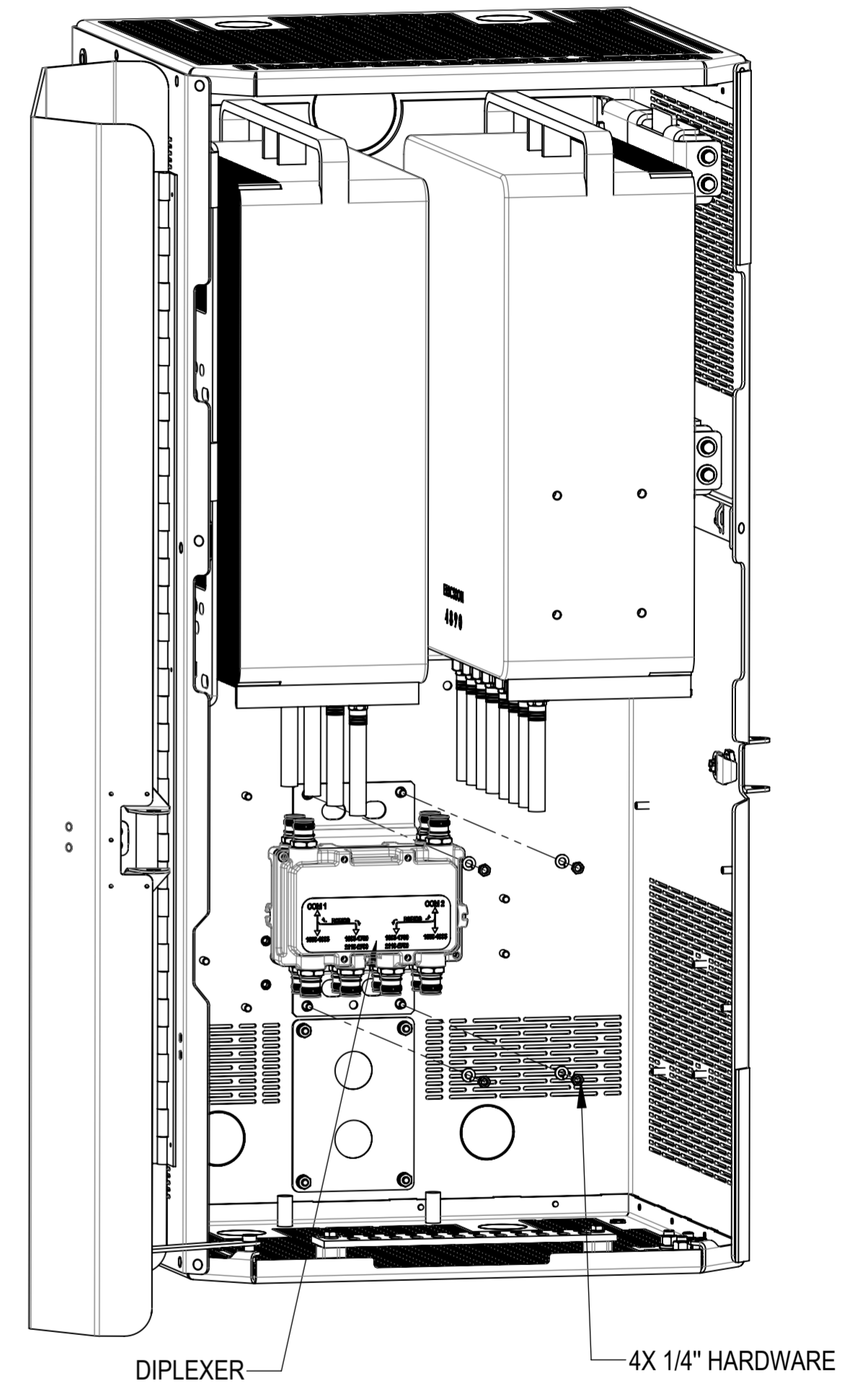
STEP 3  
4490

HANG THE 4490 WITH BRACKET IN THE ENCLOSURE AS SHOWN AND SECURE USING 4 SETS OF M6 SEM SCREWS



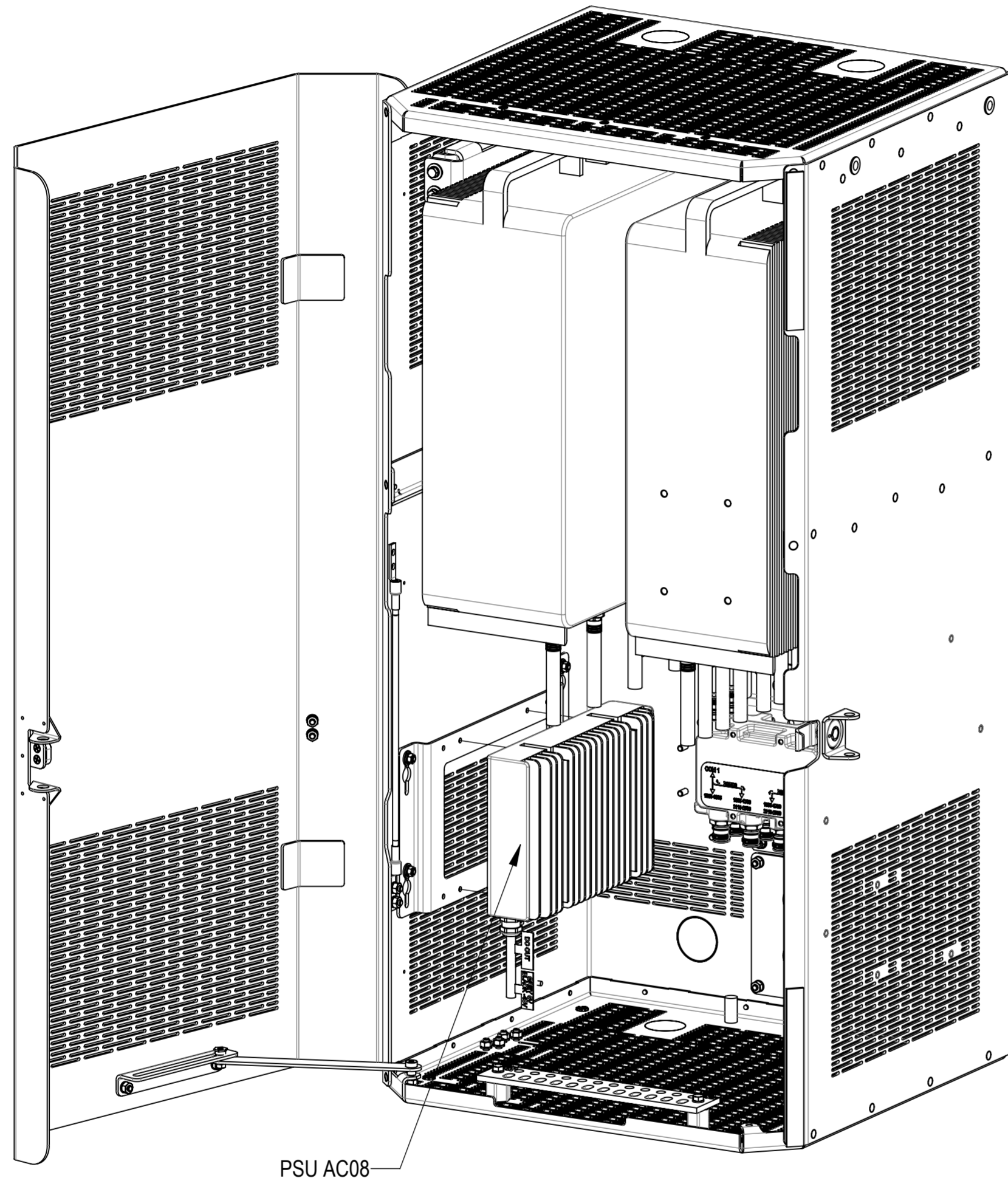
STEP 4  
4890

HANG THE 4890 WITH BRACKET IN THE ENCLOSURE AS SHOWN AND SECURE USING 4 SETS OF M6 SEM SCREWS



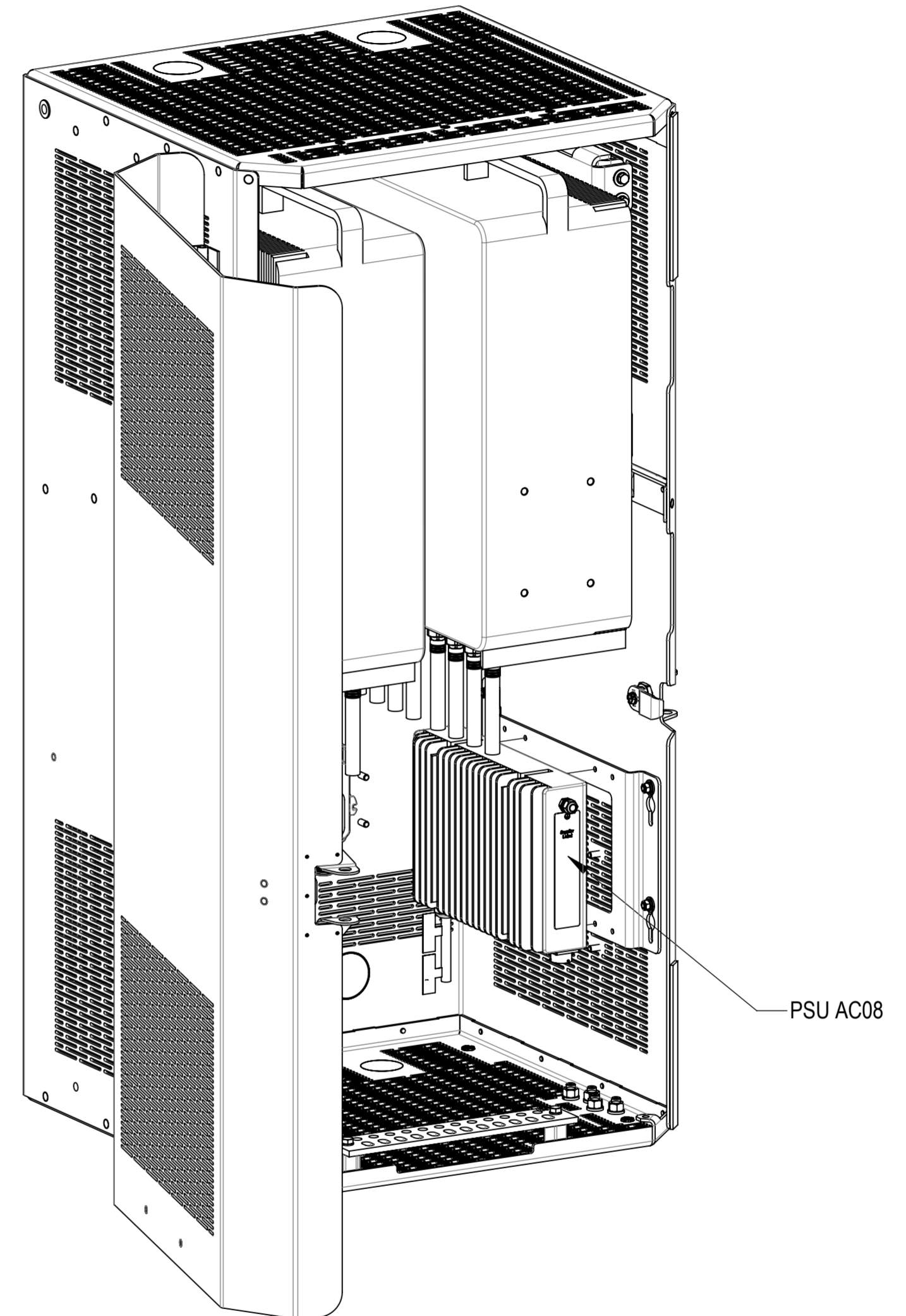
STEP 5  
DIPLEXER

INSTALL DIPLEXER WITH BRACKET TO THE ENCLOSURE USING 4 SETS OF 1/4" NUT AND LOCK WASHER



STEP 6  
PSU AC08 LHS

INSTALL PSU AC08 TO THE ENCLOSURE USING M4 CAPTIVE HARDWARE PROVIDED WITH THE PSU.



STEP 7  
PSU AC08 RHS

INSTALL PSU AC08 TO THE ENCLOSURE USING M4 CAPTIVE HARDWARE PROVIDED WITH THE PSU.