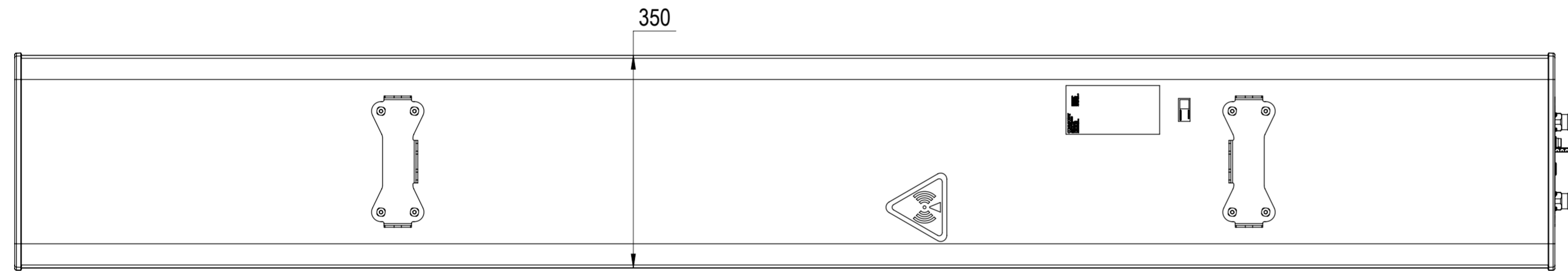
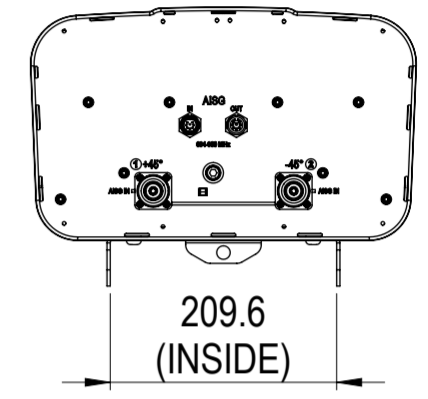
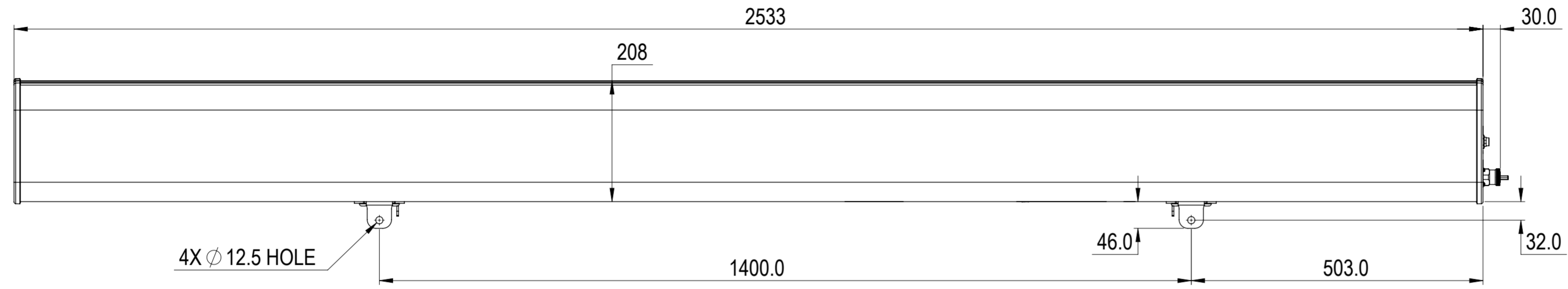


REVISION
B



RPX310B-T2