

4

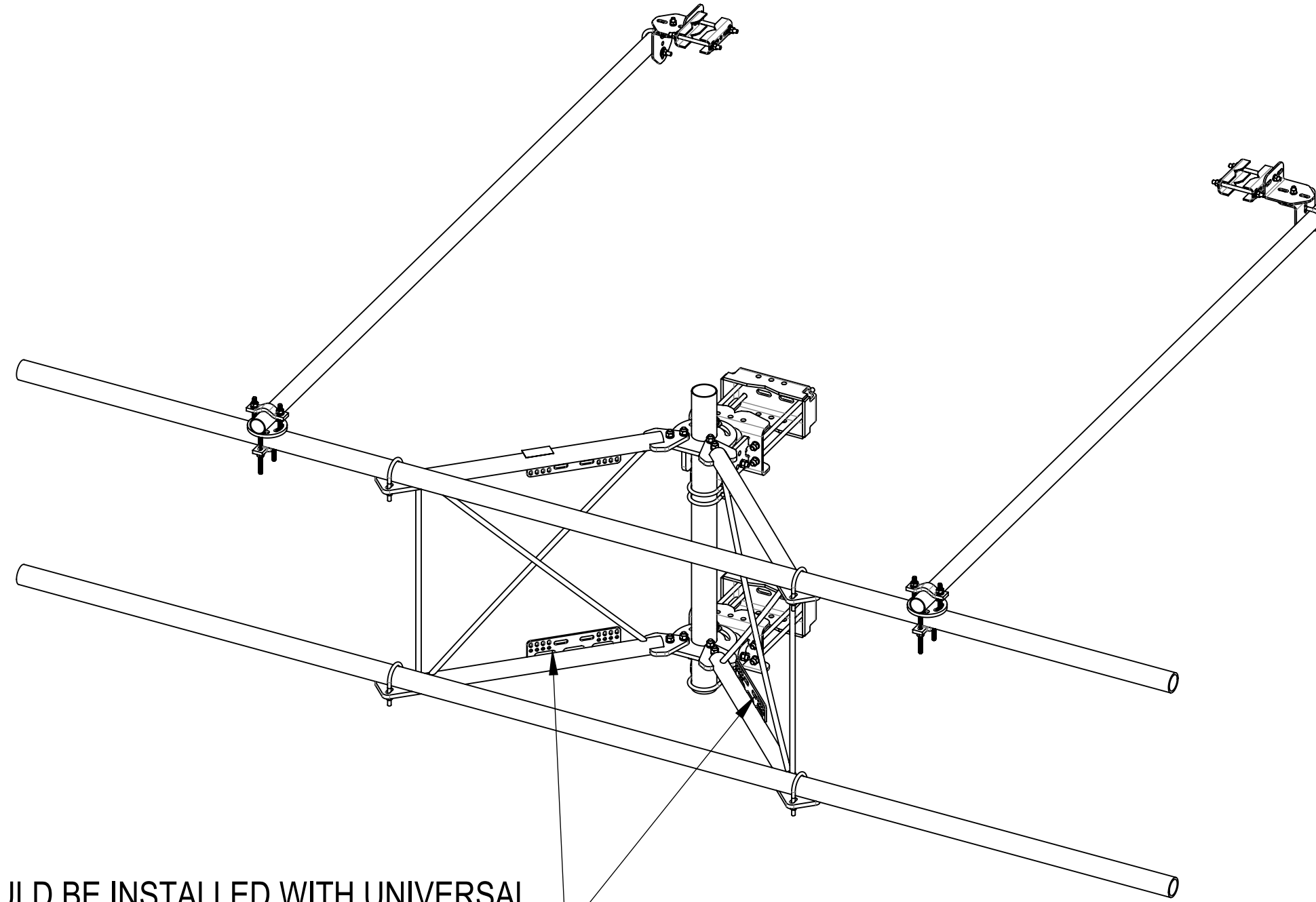
3

2

1

- 1.0 GENERAL NOTES
 - 1.1 ALL METRIC DIMENSIONS ARE IN BRACKETS [X.XX]
 - 1.2 FOR PATENT INFO: <https://www.cs-pat.com>
- 2.0 DESIGN NOTES
 - 2.1 ANY HAZARDS OR OBSTRUCTIONS TO THE CLIMBING FACILITY AND SAFETY CLIMB MUST BE IDENTIFIED PRIOR TO INSTALLING THE APPURTENANCE. ADDITIONAL PRODUCTS MAY BE REQUIRED TO MAINTAIN THE INTEGRITY OF THE SAFETY CLIMB. DURING INSTALLATION, TEMPORARY AND/OR PERMANENT PRECAUTIONARY MEASURES SHOULD BE TAKEN TO PRESERVE THE CLIMBING FACILITY AND/OR SAFETY CLIMB.
 - 2.2 UP TO 5.0° TAPER AVAILABLE ON MODELS THAT SUPPORT ADJUSTMENT.
- 3.0 MANUFACTURING/SPECIAL REQUIREMENTS
 - 3.1 TIGHTEN ALL BOLTS SECURING FLAT PLATES BY THE TURN-OF-NUT METHOD. TIGHTEN ALL U-BOLTS USING TURN-OF-NUT METHOD WITH ATTENTION TO LEAVE EQUAL DISTANCE AND EQUAL FORCE ON EACH LEG OF THE U-BOLT.
- 4.0 TEST
- 5.0 PACKAGING
 - 5.1 PACKAGING SHALL MEET COMMSCOPE REQUIREMENTS PER DOCUMENT IS-PL-3005.
 - 5.2 PRINTED DOCUMENT TO BE PLACED INSIDE POLYBAG AND THEN IN SHIPPING CONTAINER.
 - 5.3 EXTRA HARDWARE MAY BE SUPPLIED, BAGGED AND SHIPPED.

REVISIONS			
REV.	DESCRIPTION	DATE	APPROVED
A	INITIAL RELEASE	JL1183 05FEB24	CB1094 40188553CMO
B	SADDLE MOUNT CHANGED TO G23	YMENG 13JUN24	BA1025 40197994CMO
C	SFG2292-00(ITEM 2) WAS SFG2278; MT-651-120 (ITEM 24) WAS MT546120120; GUB-4240(ITEM 13) WAS GUB-4352; GUB-4352(ITEM 14) QTY 4 WAS 6; ADDED SHEET 5 V-ARM VIEW	JL1183 25NOV24	YZ1080 40209215CMO



SHOULD BE INSTALLED WITH UNIVERSAL INTERFACE PLATES FACING OUTWARDS

COMMSCOPE, INC. OF NORTH CAROLINA

TOLERANCES		SAP MATERIAL MASTER	
0 PLACE .X[X] ± 0.25[6.3]	2 PLACE .XX[X] ± 0.06[1.5]	SFG22HDX-15-B	
1 PLACE .X[X] ± 0.12[3.0]	ANGLES ± 2°		
FINISH		MATERIAL	
UNLESS OTHERWISE SPECIFIED DIMENSIONS ARE IN INCHES INTERPRET PER ANSI Y 14.5M-1994	NAME	DATE	TITLE
	CE JL1183	05FEB24	PIM-GUARD-SF, 15'FACE, NO-AP
	RW JL1183	11/28/2024	
	AD YZ1080	12/02/2024	SCALE
	RE YMENG	12/24/2024	DOCUMENT NO.
ECN 40209215CMO		1:18	SFG22HDX-15-B
SIZE	Auth Group	INSL	MODEL
C			VERSION
			STATUS
			REVISION
			VERSION
			STATUS
			REVISION
			DRAWING
			VERSION
			STATUS
			REVISION
			SHEET
			1 OF 7

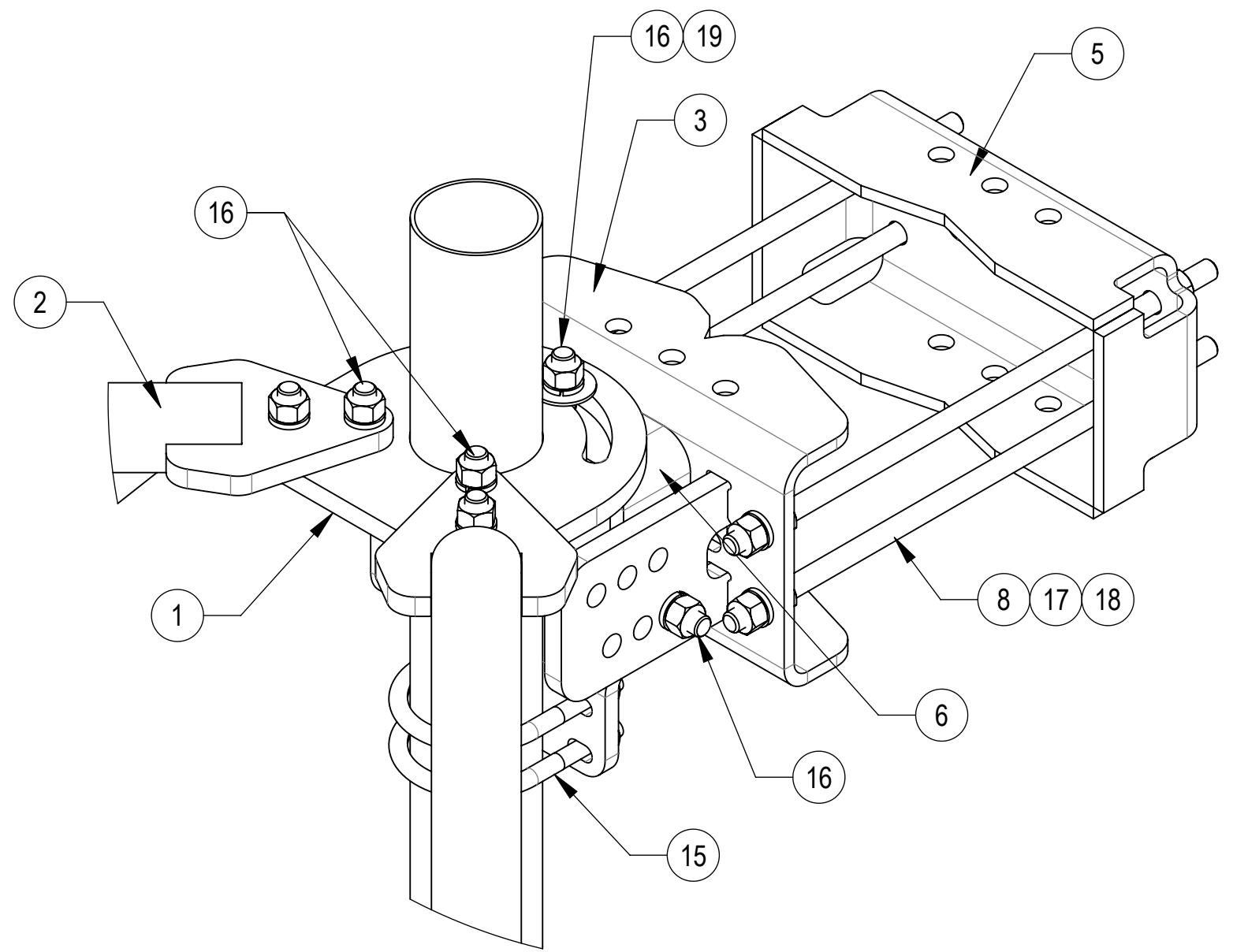
DENSITY		lbs/in³
MASS	580.72	lbs
VOLUME	2051.26	in³
SURFACE AREA	17931.05	in²
HEIGHT	47.88"	
LENGTH	180"	
WIDTH	120"	

4

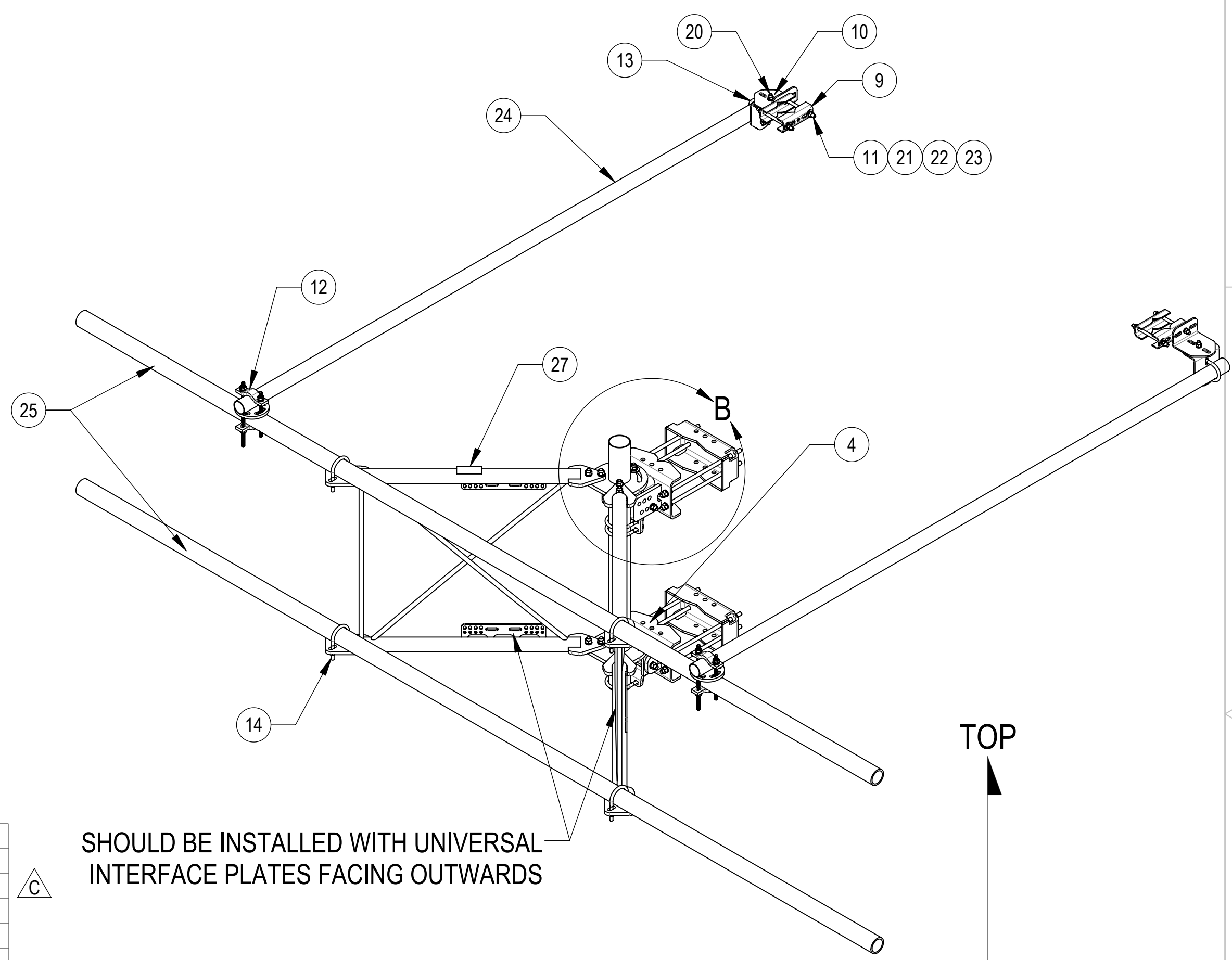
3

2

1



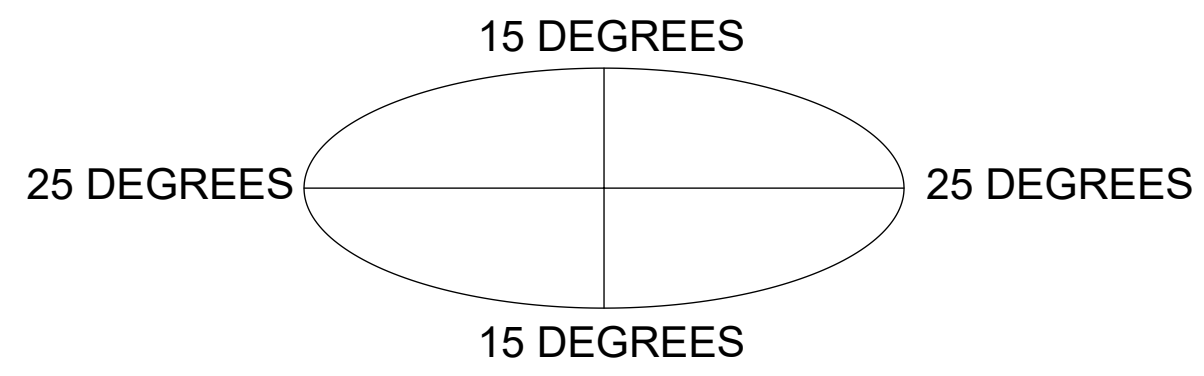
DETAIL B
SCALE 1 : 4



SHOULD BE INSTALLED WITH UNIVERSAL
INTERFACE PLATES FACING OUTWARDS

ALLOWABLE TIEBACK ANGLE

± 15 DEGREES VERTICAL
± 25 DEGREES HORIZONTAL



COMPONENT PART NUMBERS PROVIDED FOR ASSEMBLY PURPOSES;
INDIVIDUAL COMPONENTS MAY BE SHIPPED AS PARTS WITHIN AN INCLUDED KIT.

ITEM	PART NO.	DESCRIPTION	QTY.	WEIGHT	NOTE NO.
1	SFG2270	BACK VERTICAL ARM MOUNT	1	36.96 LBS	
2	SFG2292-00	WELDMENT, V-ARM, SECTOR FRAME 22	2	49.69 LBS	
3	SFG2380	WELDMENT, HD, TOP TAPER BRACKET	1	22.78 LBS	
4	SFG2381	WELDMENT, HD, LOWER TOWER LEG BRACKET	1	17.42 LBS	
5	SFG2289	G2 RRU BACK CLAMP, HD	2	18.65 LBS	
6	SFG2386	WELDMENT, SFG2 AZIMUTH BRACKET	1	10.07 LBS	
7	SFG2397-00	WELDMENT, G23 AZIMUTH BRACKET	1	7.94 LBS	
8	MT-382-18	5/8" X 18" THREADED ROD	8	1.43 LBS	
9	SAB01	FORMED CLAMP	4	1.35 LBS	
10	XAU01	ANGLE, CROSSOVER, 1.9-3.5" X 1.9-3.5" OD	4	2.98 LBS	
11	MT-379-8	1/2" X 8" GALV THREADED ROD	4	0.45 LBS	
12	XP-R	CROSSOVER PLATE, ROUND, UP TO 3.5" OD	2	6.20 LBS	
13	GUB-4240	1/2" X 2-1/2" X 4" GALV U-BOLT	2	0.56 LBS	
14	GUB-4352	1/2" X 3" X 5-1/4" GALV U-BOLT	4	0.71 LBS	
15	GUB-4355	1/2" X 3-5/8" X 5" GALV U-BOLT	3	0.71 LBS	
16	GB-05225	5/8" X 2-1/4" GALV BOLT KIT	14	0.28 LBS	
17	GN-05	5/8" GALV HEX NUT	24	0.08 LBS	
18	GWL-05	5/8" GALV LOCK WASHER	16	0.03 LBS	
19	GWF-05	5/8" GALV FLAT WASHER, 1.7OD	2	0.06 LBS	
20	GB-04145	1/2" X 1-1/2" GALV BOLT KIT	2	0.13 LBS	
21	GN-04	1/2" GALV HEX NUT	10	0.04 LBS	
22	GWL-04	1/2" GALV LOCK WASHER	10	0.01 LBS	
23	GWF-04	1/2" GALV FLAT WASHER	8	0.04 LBS	
24	MT-651-120	PIPE, 2.375"OD X 120"	2	29.07 LBS	
25	MT546180276	PIPE, 2.875"OD X 180"	2	115.33 LBS	
26	GUB-53560	5/8" X 3-5/8" X 6" GALV U-BOLT	4	1.30 LBS	FOR RING MOUNT ONLY
27	SFG2255	LABEL, SFG22HDX	1	0.04 LBS	

COMMSCOPE, INC. OF NORTH CAROLINA				
TITLE PIM-GUARD-SF,15'FACE,NO-AP				
SIZE C	SCALE 1:16	DOCUMENT NO. SFG22HDX-15-B		
DRAWING		REVISION		SHEET
VERSION 02	STATUS RE	REVISION C	2 OF 7	

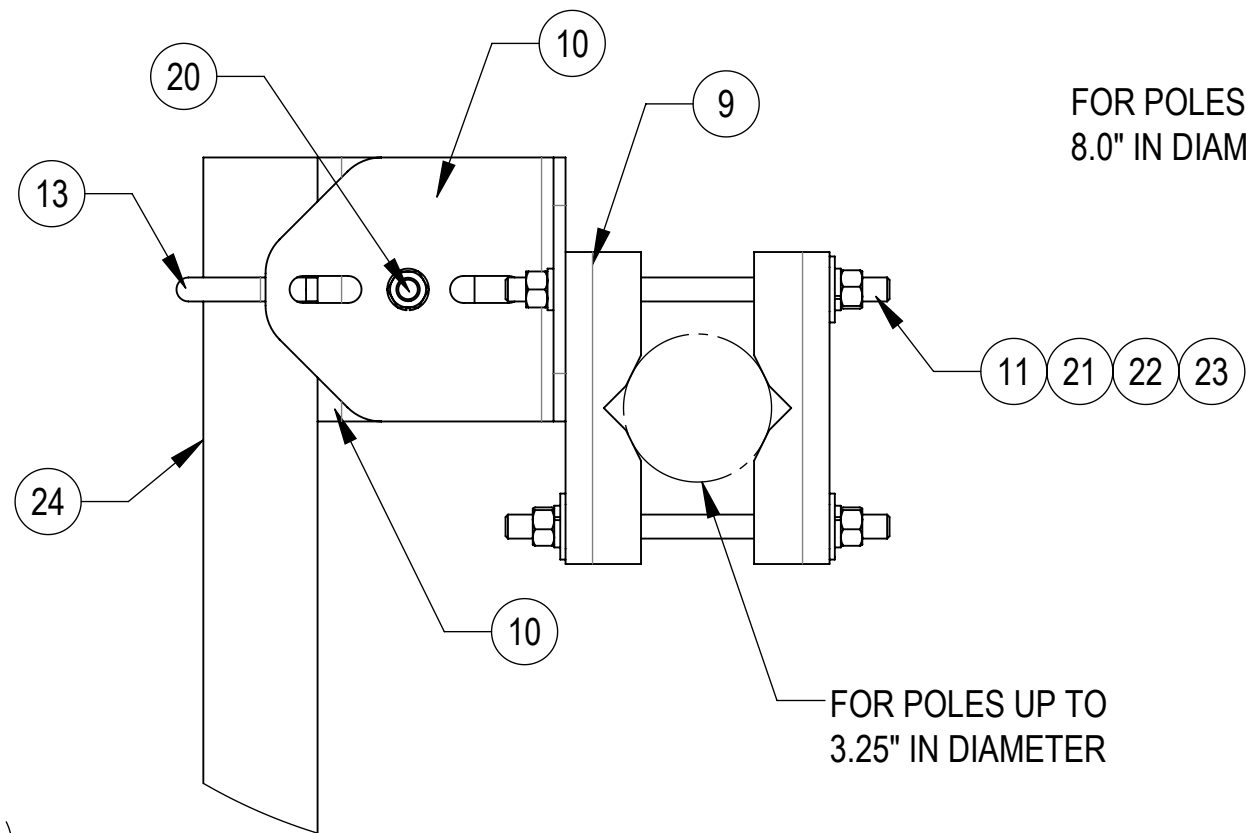
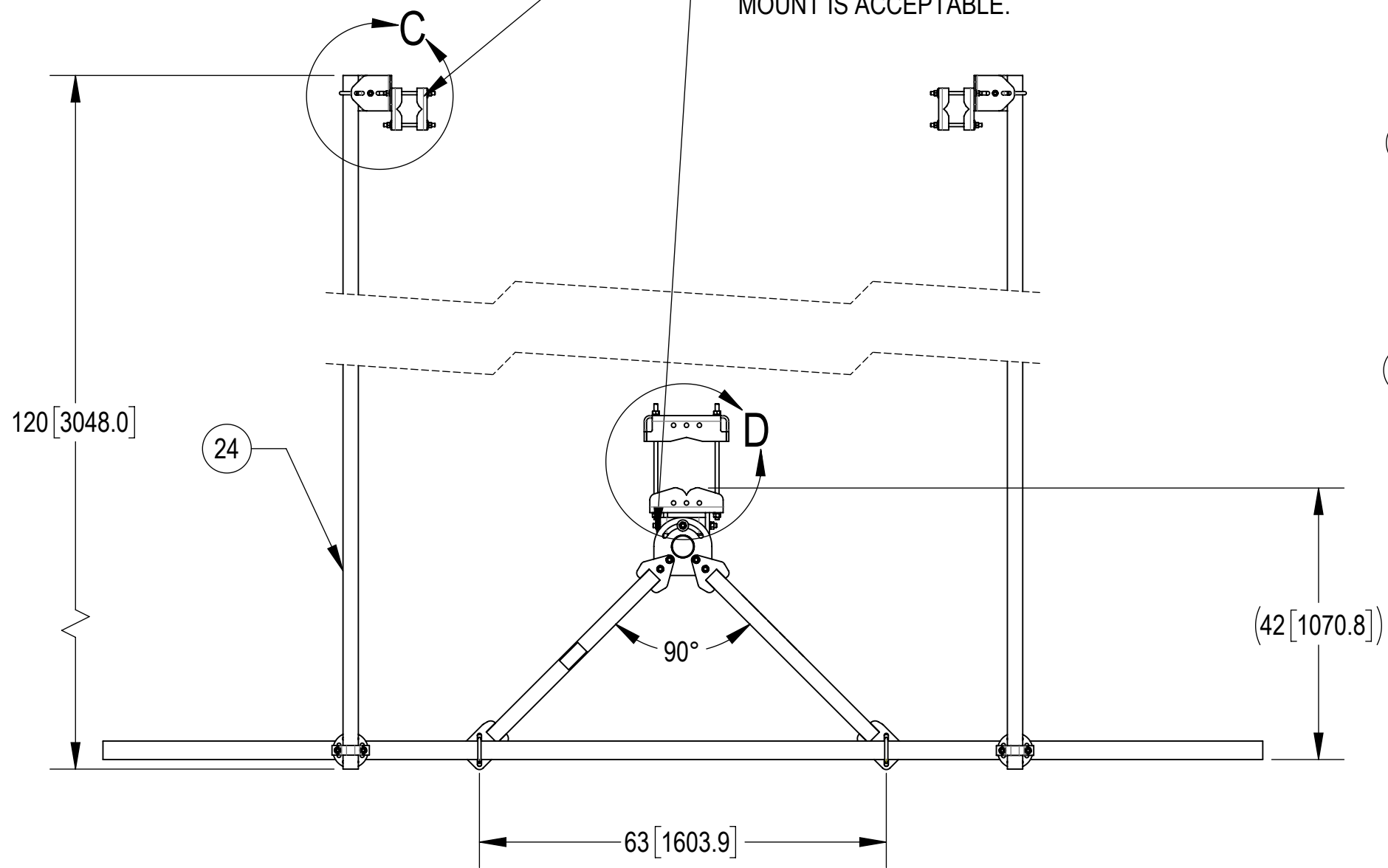
4

3

2

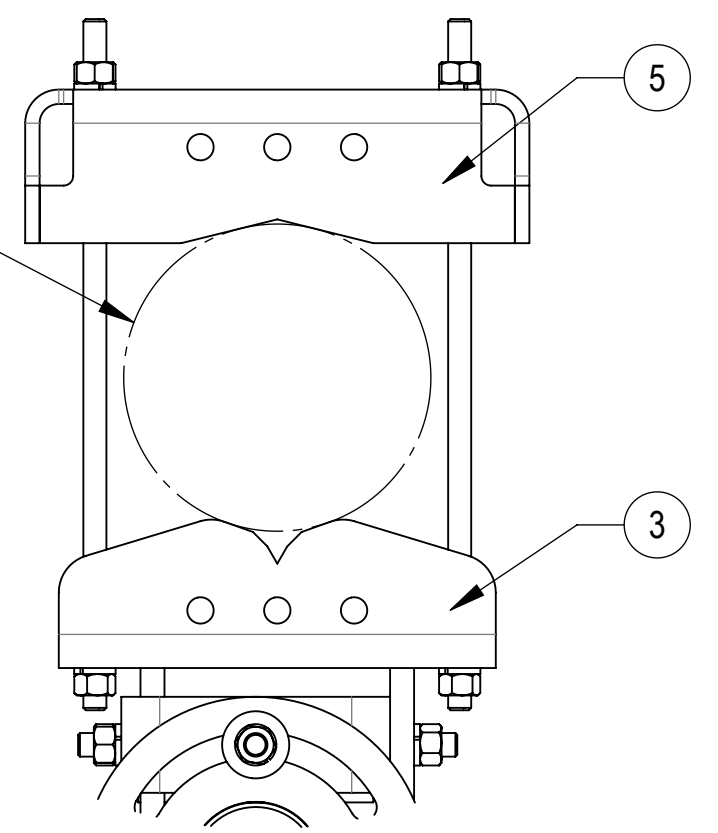
1

TIEBACK MUST BE CONNECTED TO A RIGID MEMBER THAT PROVIDES ADEQUATE SUPPORT WITHIN THE LIMITS NOTED IN THE TIEBACK ANGLE RANGE DETAIL. UNLESS APPROVED BY ENGINEER OF RECORD. SPINE STEM OF NEIGHBORING MOUNT IS ACCEPTABLE.



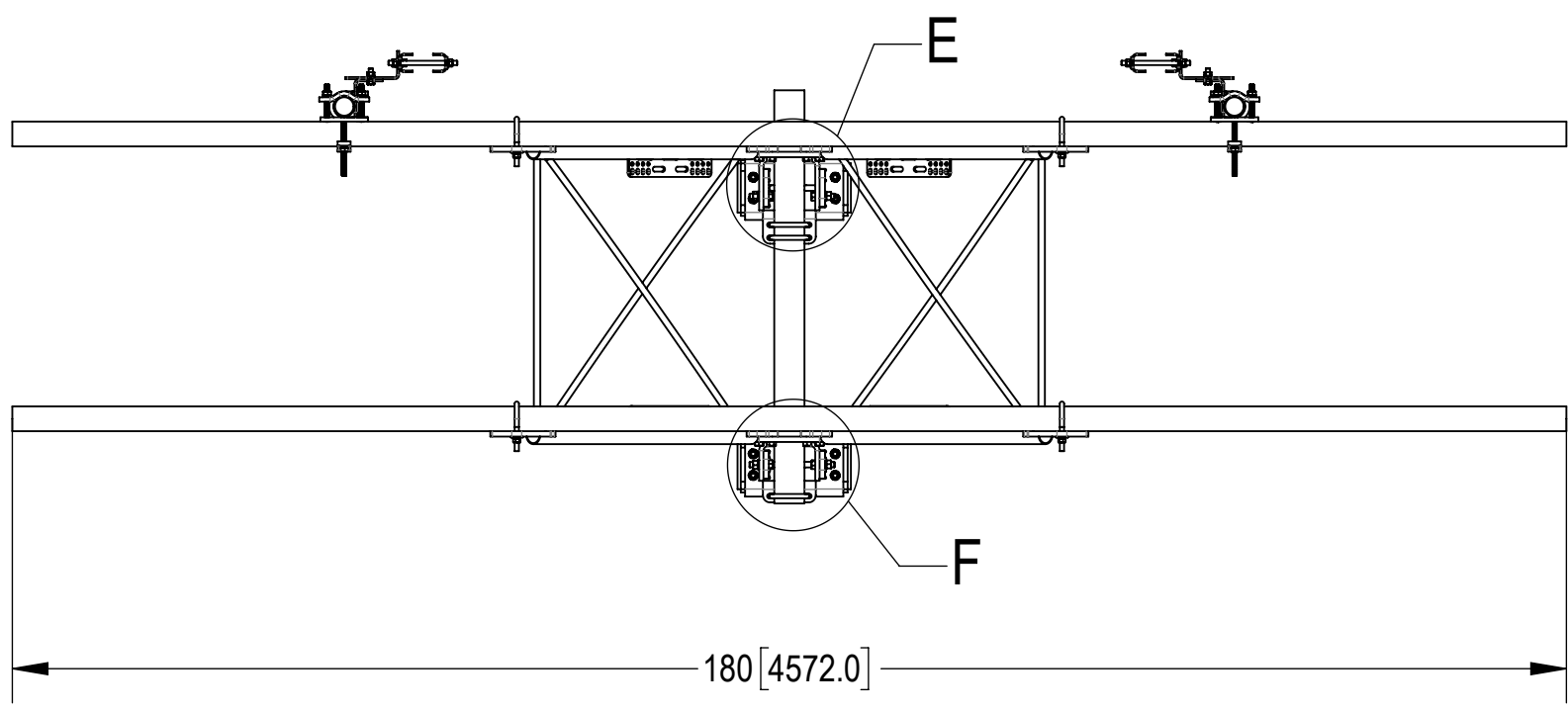
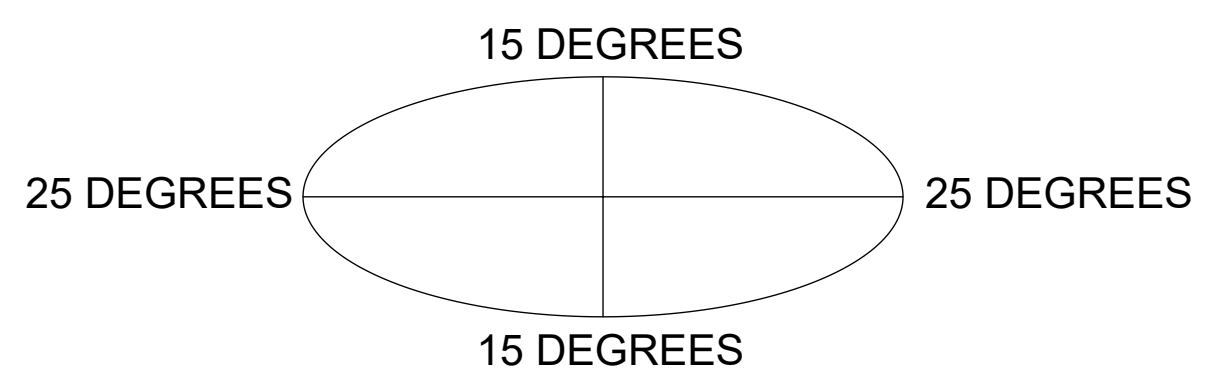
DETAIL C
SCALE 1 : 4

FOR POLES UP TO 8.0\"/>

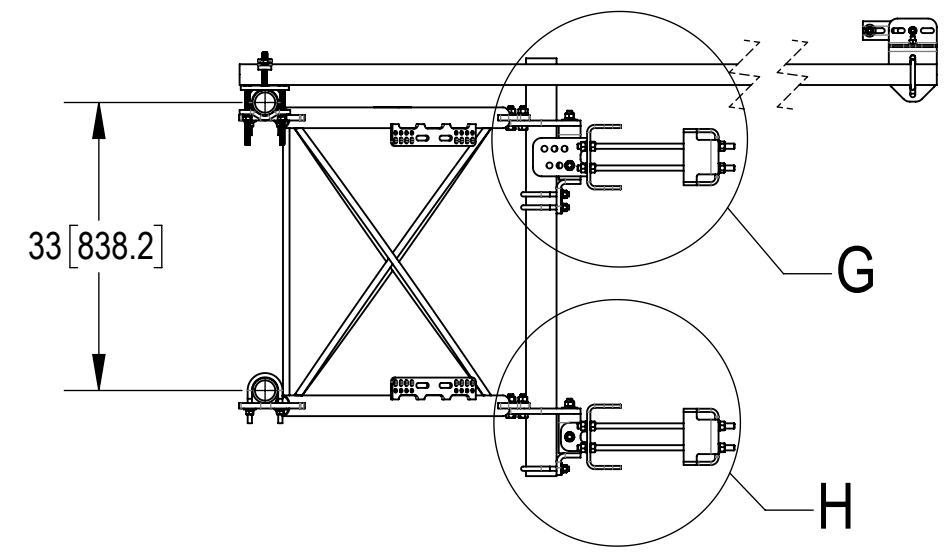


DETAIL D
SCALE 1 : 5

ALLOWABLE TIEBACK ANGLE
±15 DEGREES VERTICAL
±25 DEGREES HORIZONTAL



TOP
↑
↓
BOTTOM



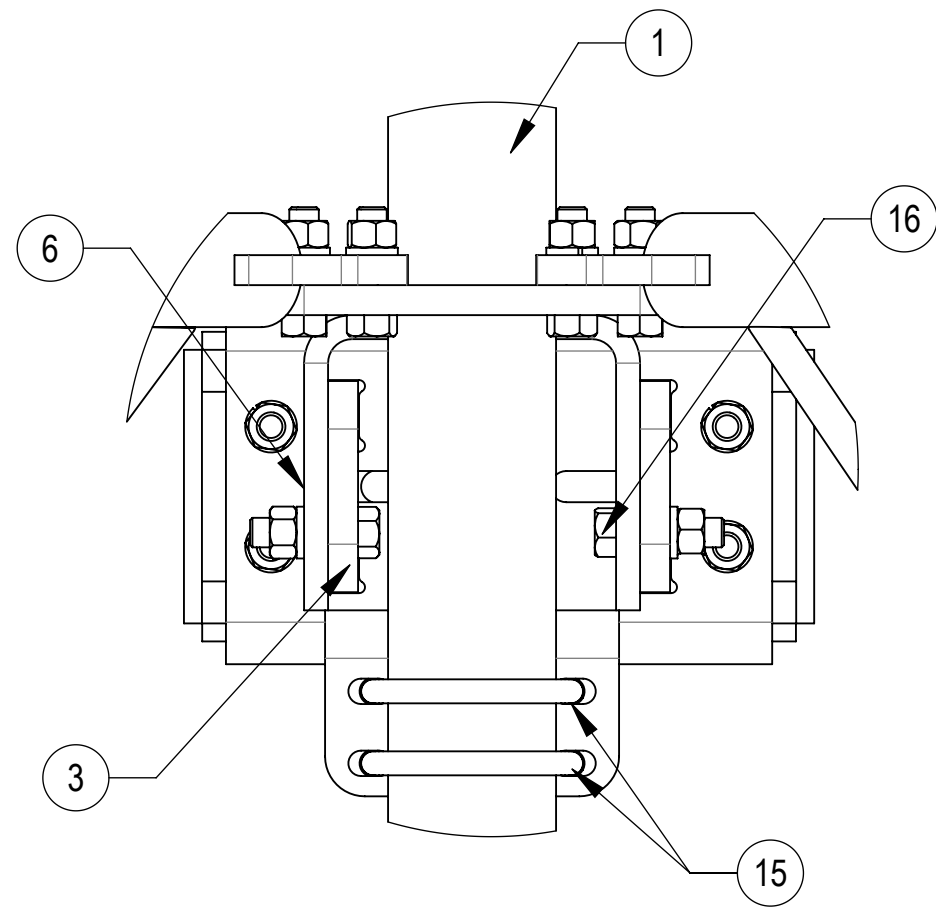
COMMSCOPE, INC. OF NORTH CAROLINA				
TITLE PIM-GUARD-SF,15'FACE,NO-AP				
SIZE C	SCALE 1:22	DOCUMENT NO. SFG22HDX-15-B		
		DRAWING		SHEET
		VERSION	STATUS	REVISION
		02	RE	C
				3 OF 7

4

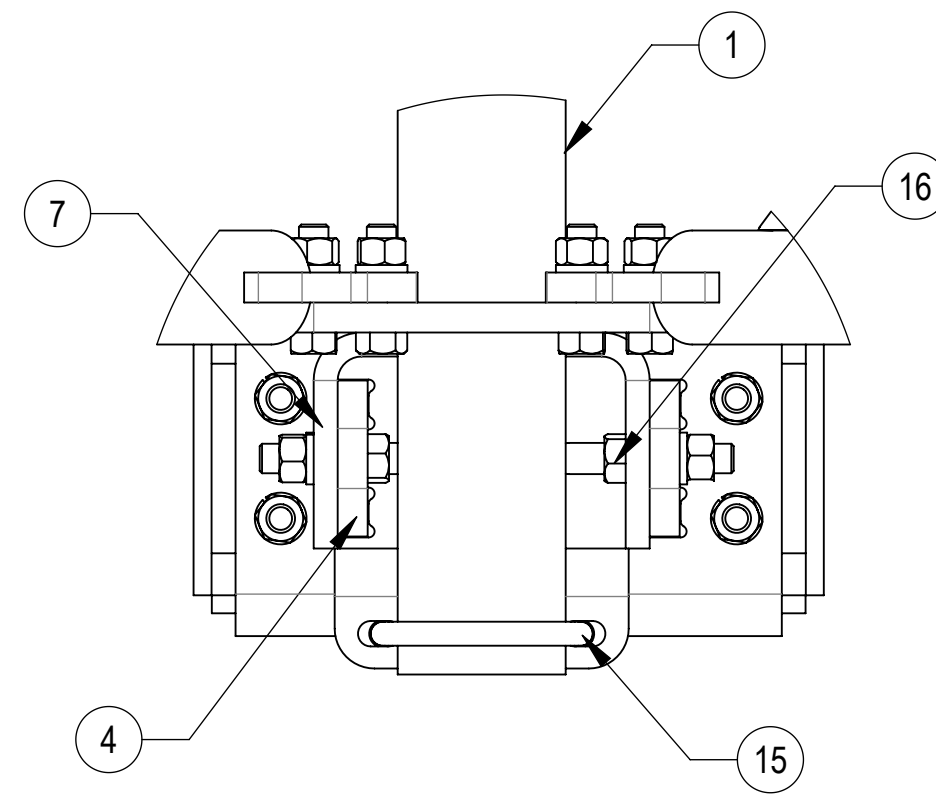
3

2

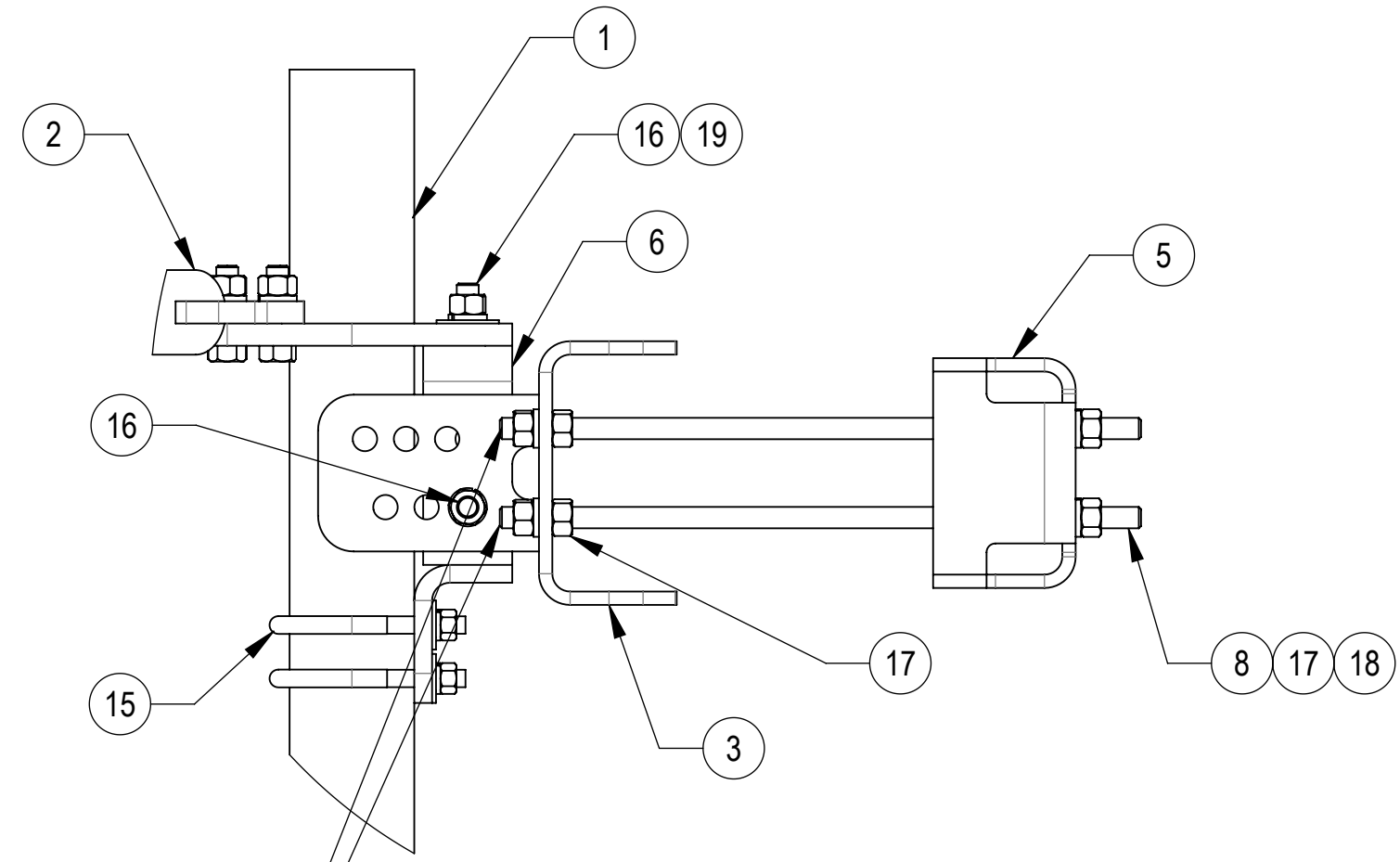
1



DETAIL E
SCALE 1 : 4

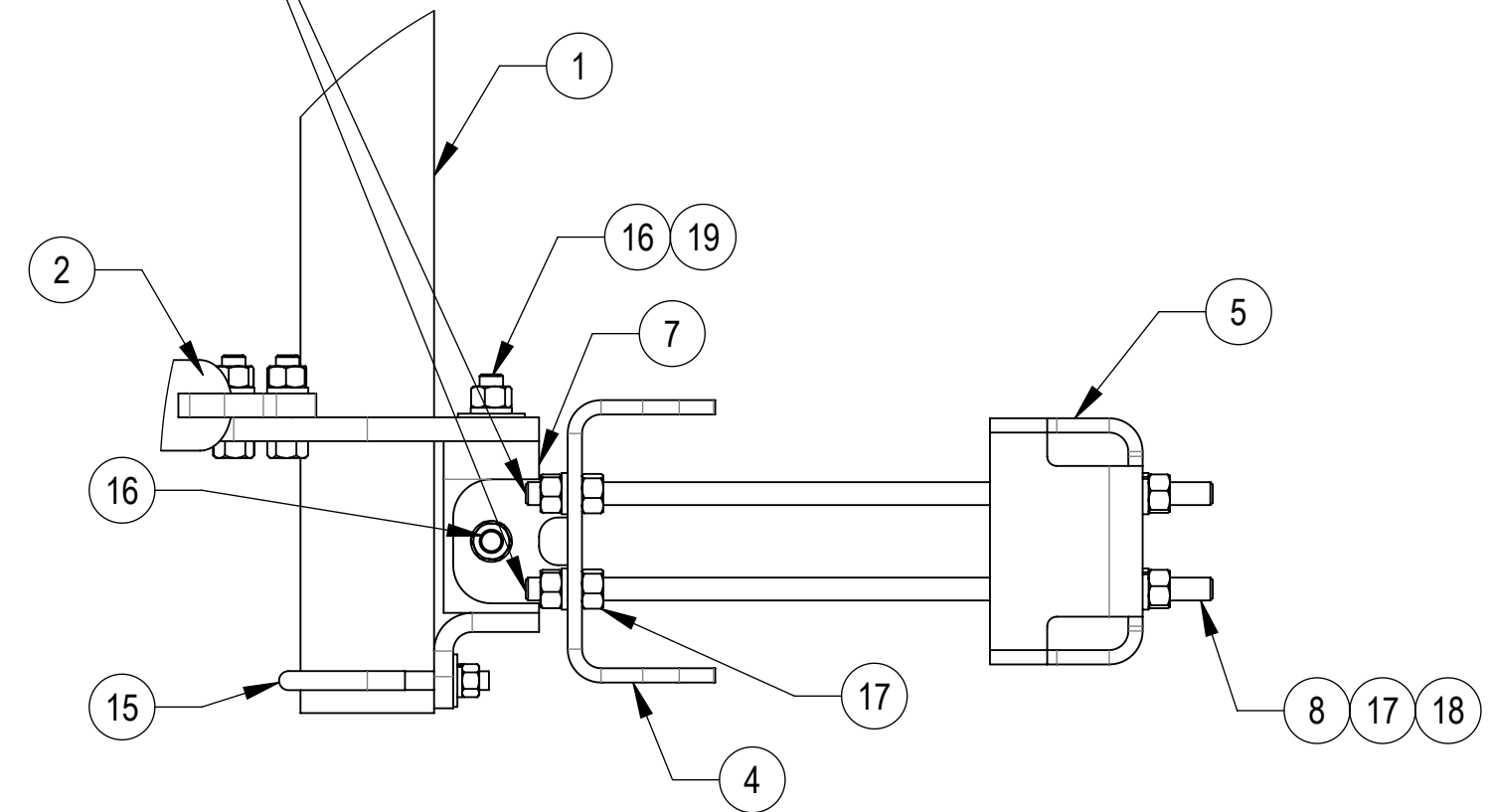


DETAIL F
SCALE 1 : 4



DETAIL G
SCALE 1 : 5

THE THREADED ROD CAN ONLY EXPOSE 4 TO 7 THREADS ON ONE SIDE OF THE BRACKET, WHICH IS TO PREVENT INTERFERENCE WITH THE SIDE BOLTS



DETAIL H
SCALE 1 : 5

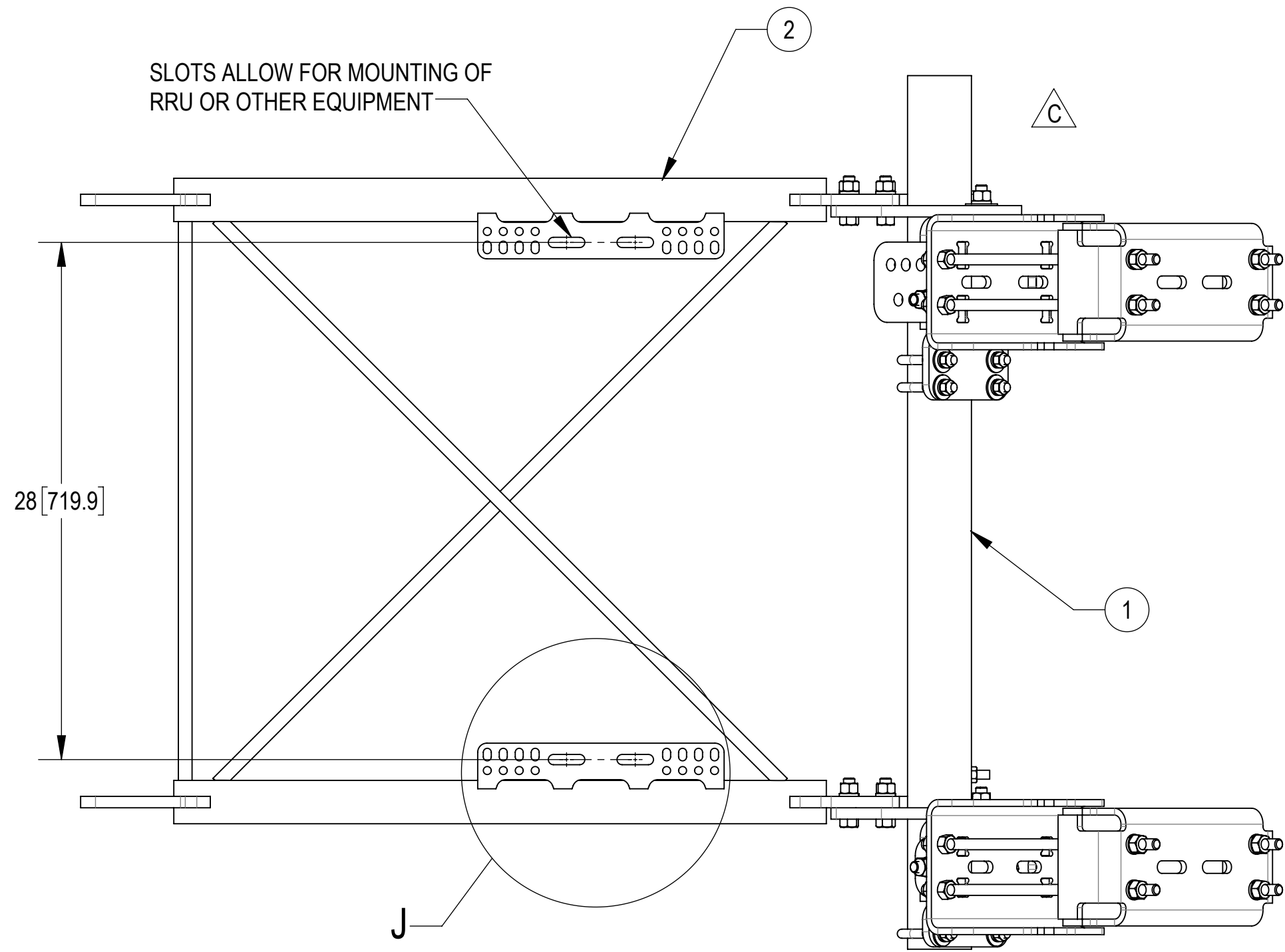
COMMSCOPE, INC. OF NORTH CAROLINA				
TITLE PIM-GUARD-SF,15'FACE,NO-AP				
SIZE C	SCALE 1:18	DOCUMENT NO. SFG22HDX-15-B		
		DRAWING		SHEET
		VERSION	STATUS	REVISION
		02	RE	C
				4 OF 7

4

3

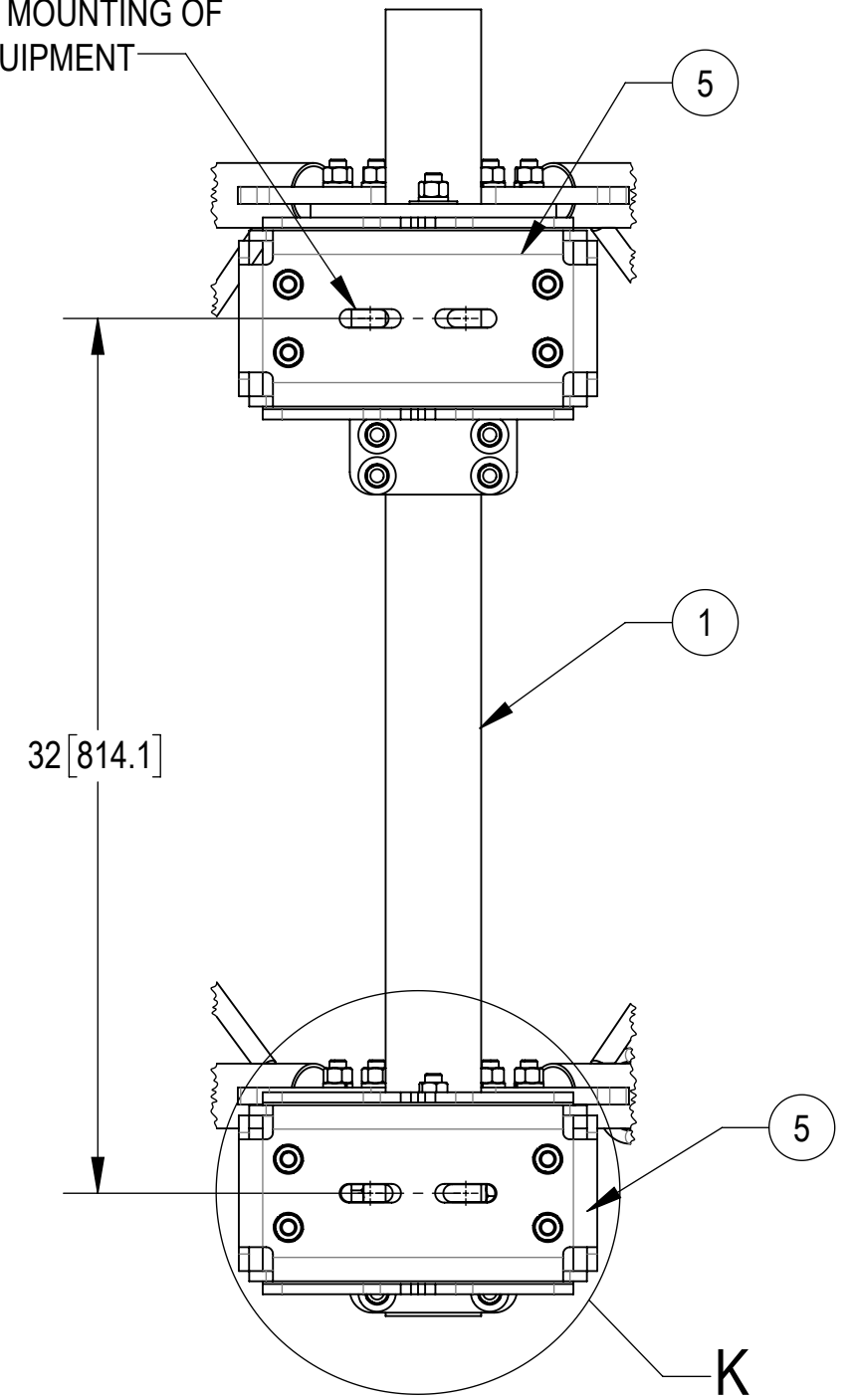
2

1

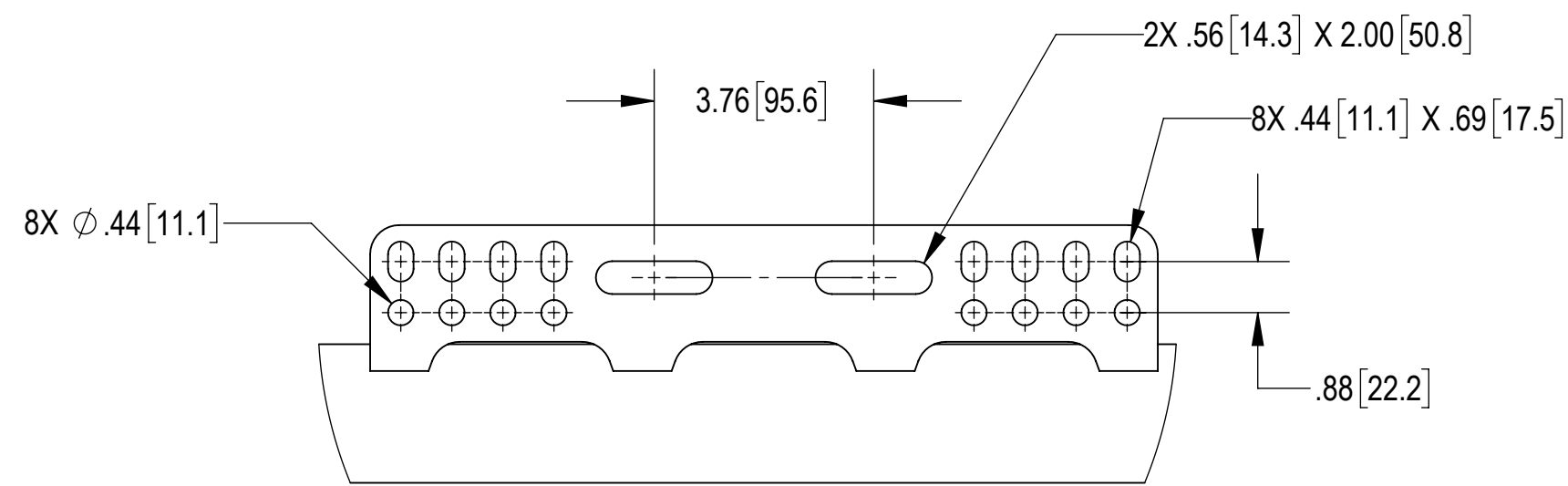


SIDE VIEW

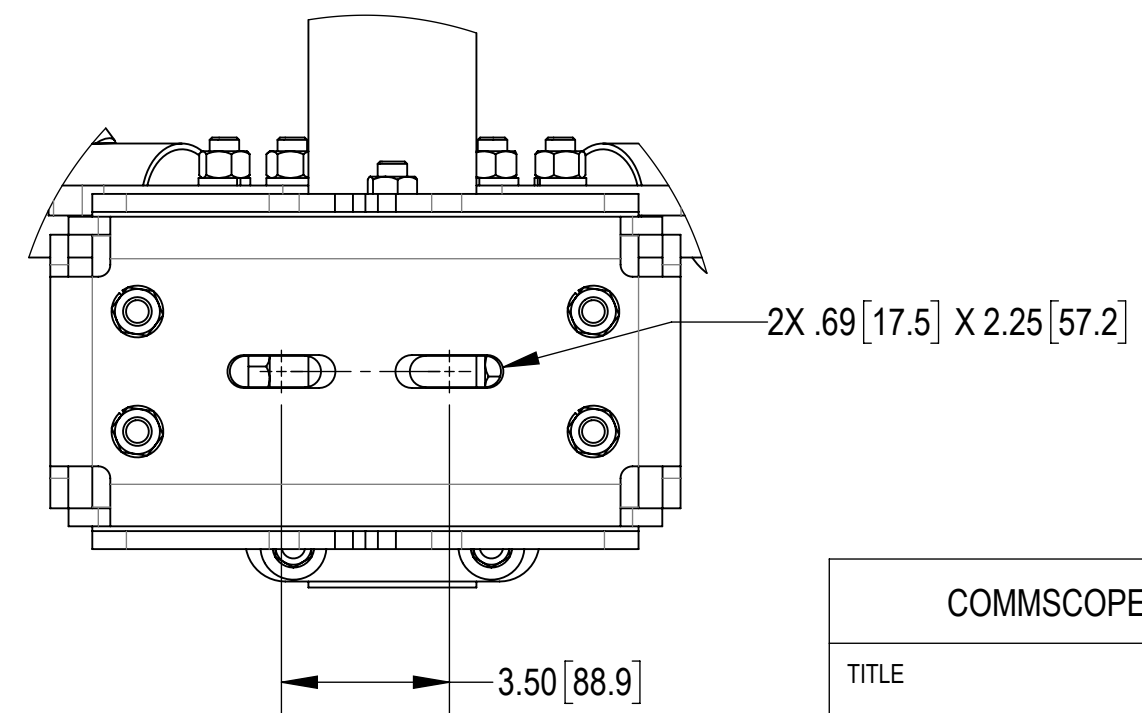
SLOTS ALLOW FOR MOUNTING OF RRU OR OTHER EQUIPMENT



BACK CROP VIEW



DETAIL J
SCALE 1 : 3



DETAIL K
SCALE 1 : 4

COMMSCOPE, INC. OF NORTH CAROLINA				
TITLE PIM-GUARD-SF,15'FACE,NO-AP				
SIZE C	SCALE 1:18	DOCUMENT NO. SFG22HDX-15-B		
		DRAWING		SHEET
		VERSION	STATUS	REVISION
		02	RE	C
				SHEET 5 OF 7

4

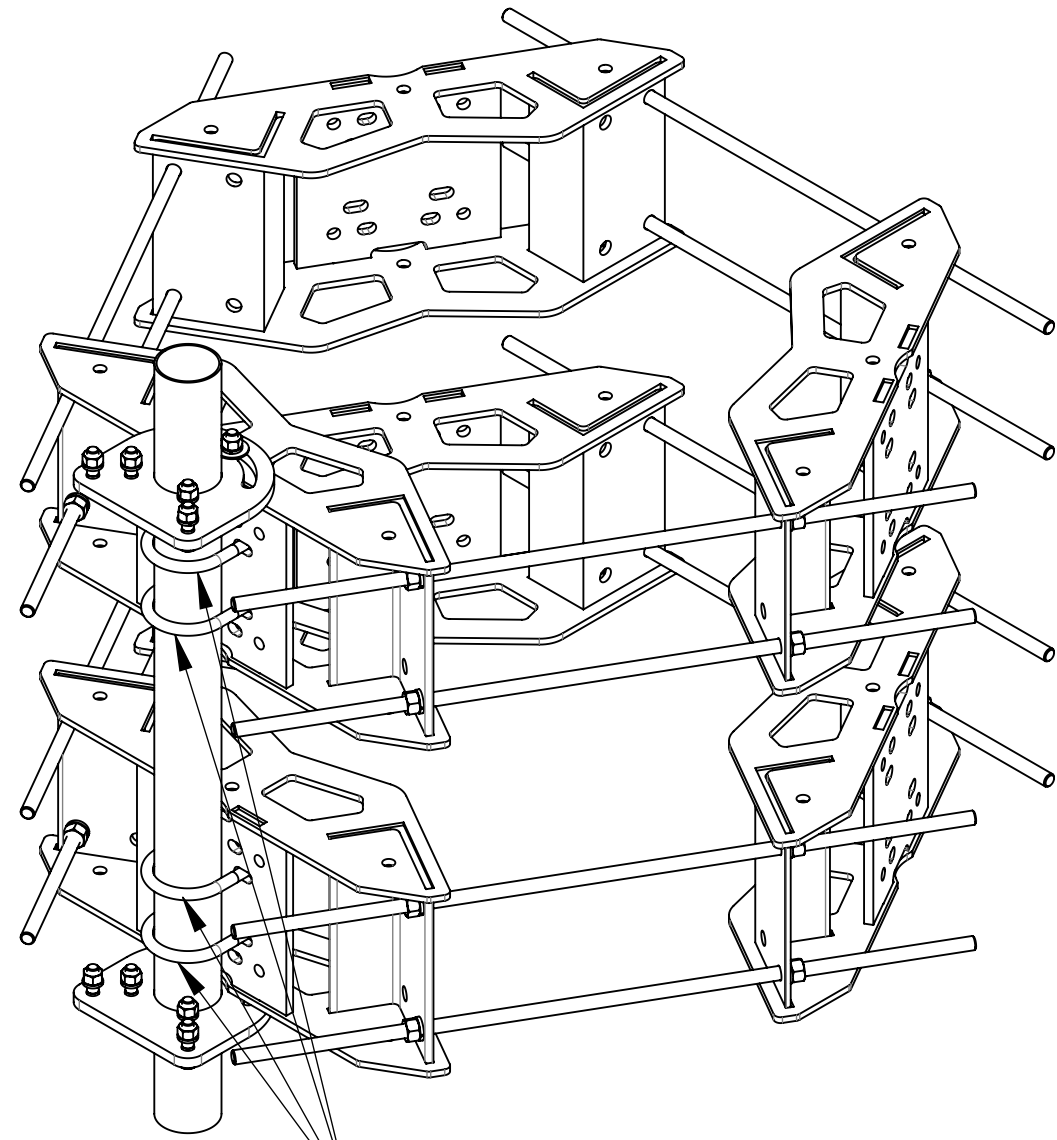
3

2

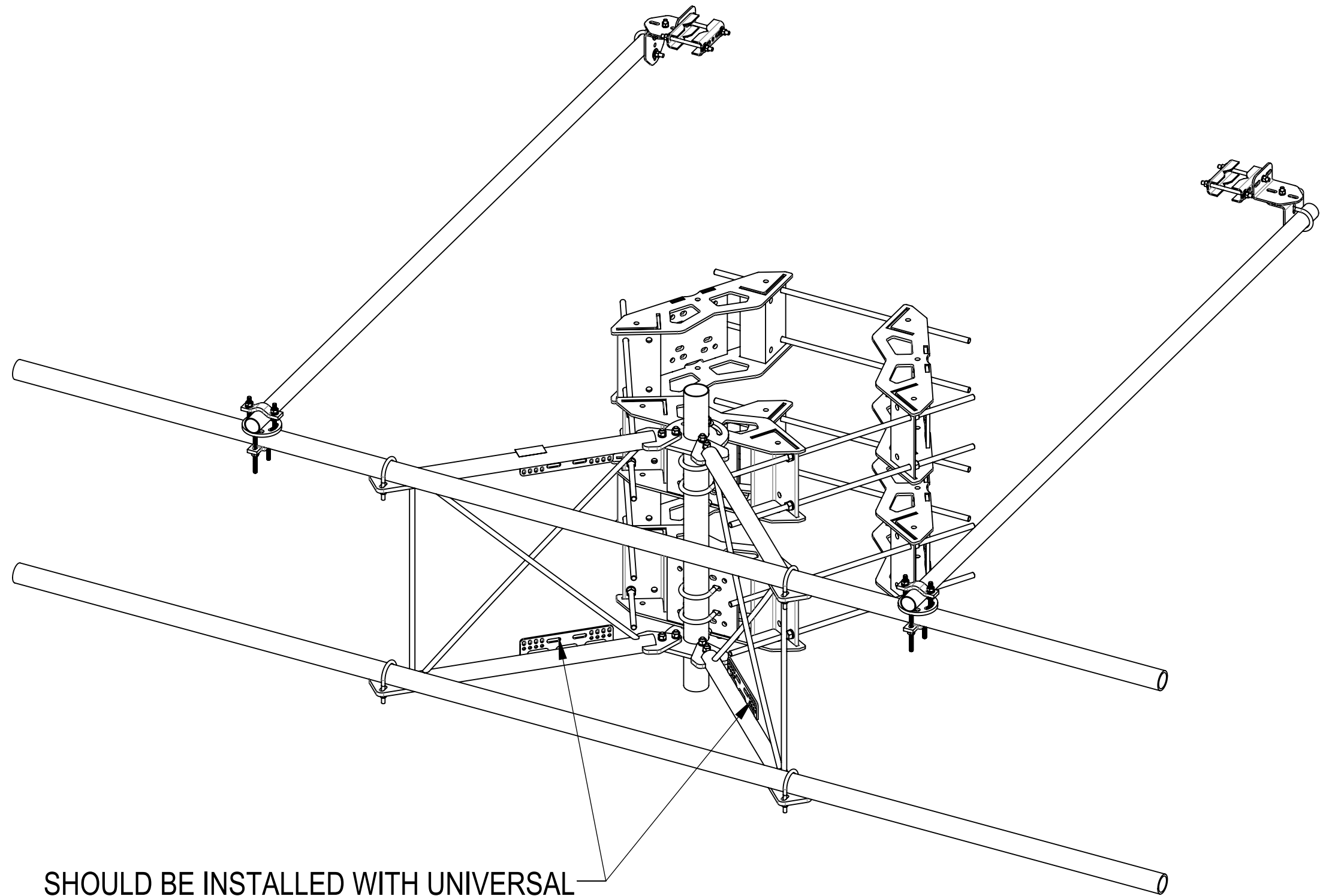
1

OPTIONAL ACCESSORIES:

RING MOUNT KIT FOR MONOPOLE INSTALLATION (SOLD SEPERATELY)



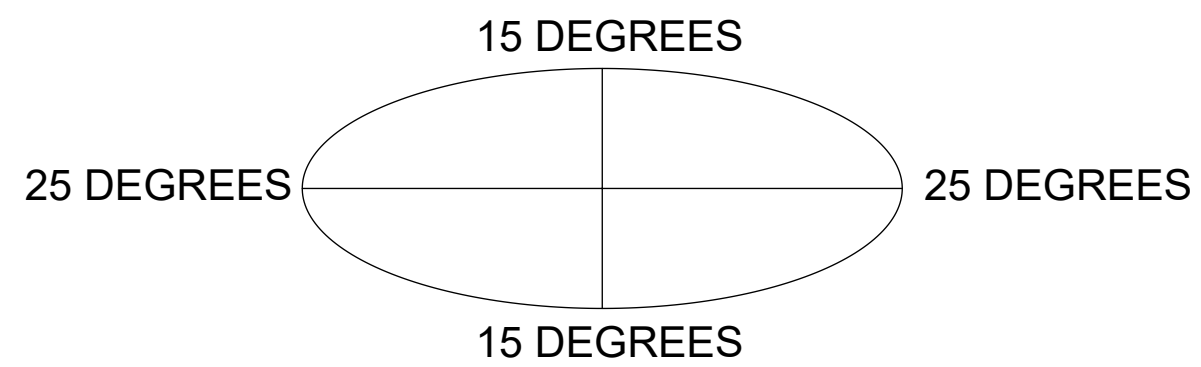
26 GUB-53560 (USE ON MONOPOLE VERSION ONLY)



SHOULD BE INSTALLED WITH UNIVERSAL INTERFACE PLATES FACING OUTWARDS

ALLOWABLE TIEBACK ANGLE

±15 DEGREES VERTICAL
±25 DEGREES HORIZONTAL



COMMSCOPE, INC. OF NORTH CAROLINA				
TITLE PIM-GUARD-SF,15'FACE,NO-AP				
SIZE C	SCALE 1:14	DOCUMENT NO. SFG22HDX-15-B		
		DRAWING		SHEET
		VERSION	STATUS	REVISION
		02	RE	C
				6 OF 7

4

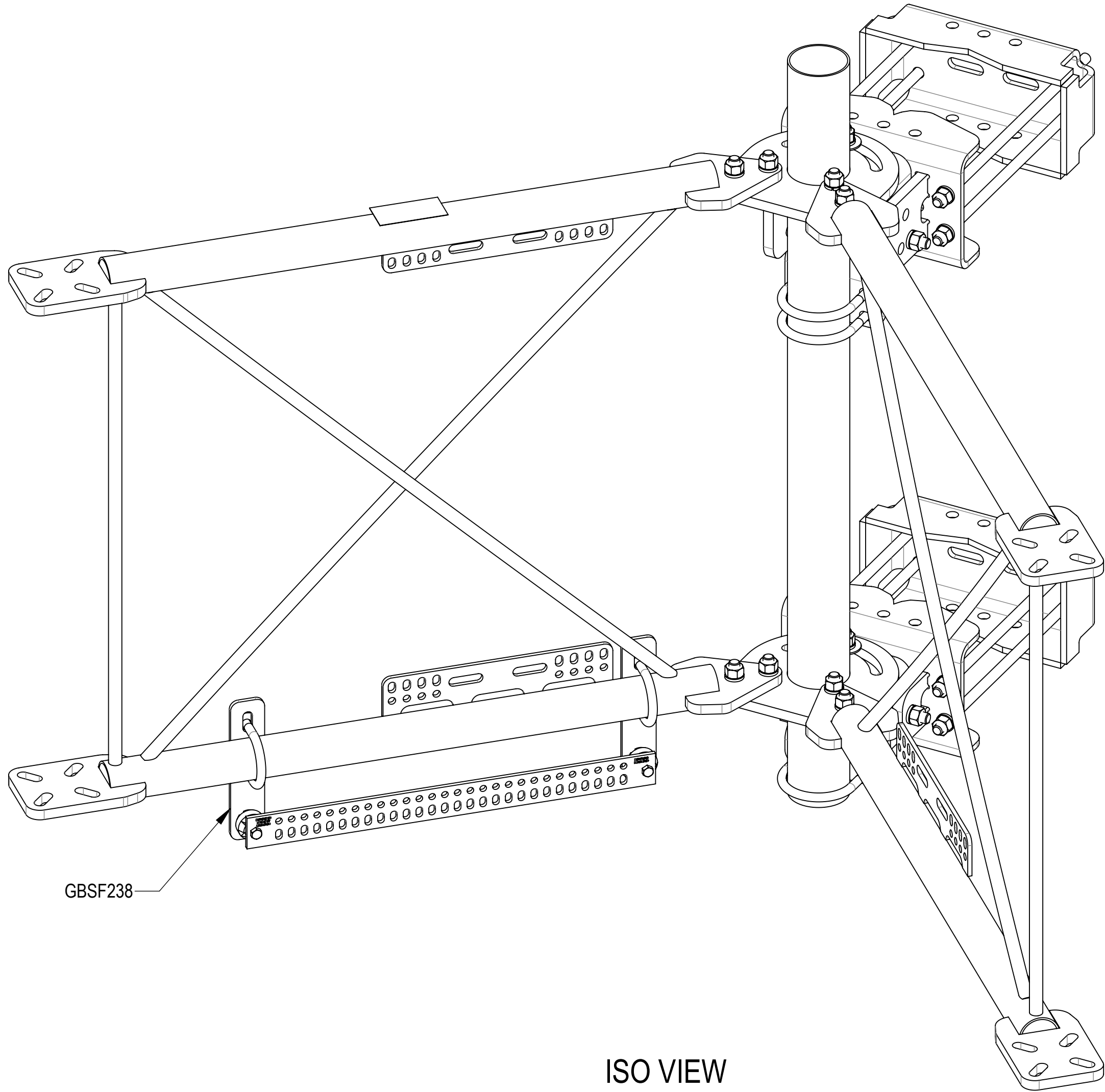
3

2


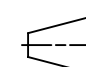
1

OPTIONAL ACCESSORIES:

BUS BAR MOUNT KIT GBSF238 IS WELL SUITED TO BE USED SHOULD THE NEED ARISE
NOTE THAT THIS KIT DOES NOT INCLUDE THE ISOLATORS OR BUS BAR



ISO VIEW

COMMSCOPE, INC. OF NORTH CAROLINA				
TITLE PIM-GUARD-SF,15'FACE,NO-AP				
SIZE C	SCALE 1:6	DOCUMENT NO. SFG22HDX-15-B		
 		DRAWING		SHEET 7 OF 7
		VERSION 02	STATUS RE	

4

3

2

1