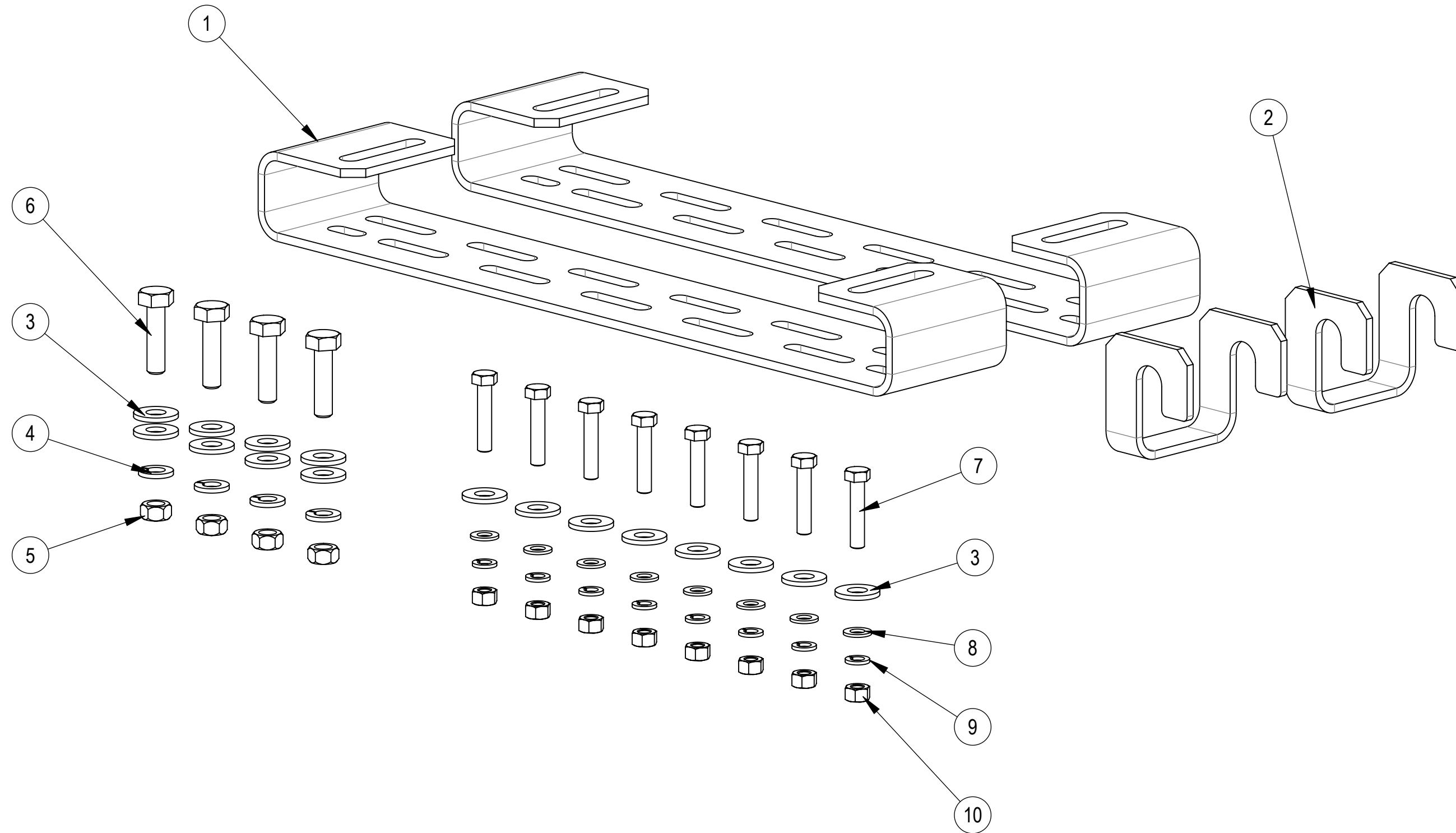


- 1.0 GENERAL NOTES
- 2.0 DESIGN NOTES
- 3.0 MANUFACTURING/SPECIAL REQUIREMENTS
- 4.0 TEST
- 5.0 PACKAGING
  - 5.1 PACKAGING SHALL MEET COMMSCOPE REQUIREMENTS PER DOCUMENT IS-PL-3005
  - 5.2 ALL HARDWARE KITS ARE PACKAGED USING APPROPRIATE PLASTIC BAGS
  - 5.3 THIS PRINTED DOCUMENT TO BE PLACED INSIDE SHIPPING BOX FOR CUSTOMER INSTALLATION

REVISIONS			
REV.	DESCRIPTION	DATE	APPROVED
A	INITIAL RELEASE	YC1059 19JUN06	LX1002 40198237CMO



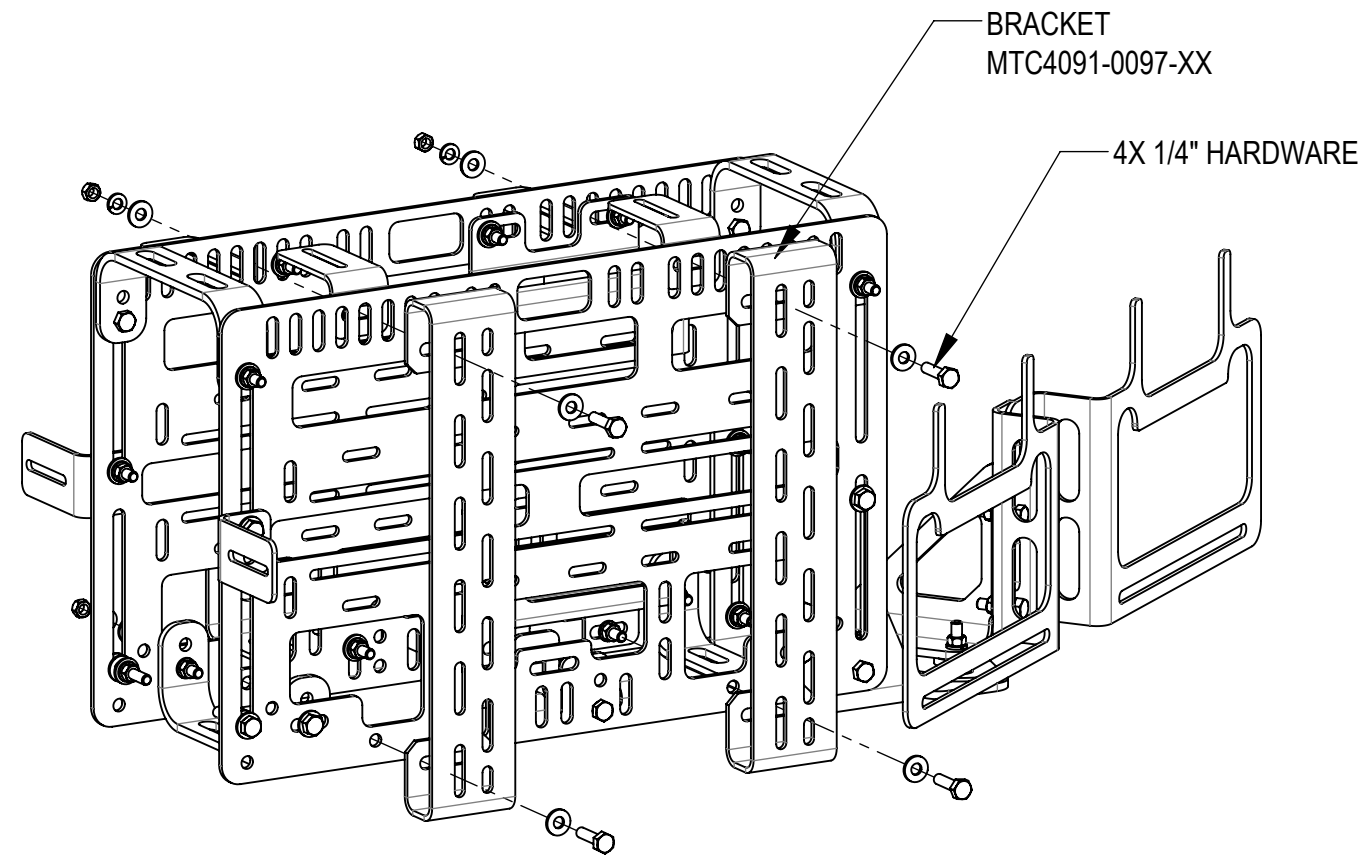
COMPONENT PART NUMBERS PROVIDED FOR ASSEMBLY PURPOSES;  
INDIVIDUAL COMPONENTS MAY BE SHIPPED AS PARTS WITHIN AN INCLUDED KIT.

ITEM NO.	PART NUMBER	DESCRIPTION	QTY.	NOTE
1	MTC4091-0097-XX	ALPHA BRACKET	2	
2	MTC4091-0098-00	HANG HOOK FOR STRAND	2	
3	SWF-02	FLAT WASHER, 1/4" SS	16	5.2
4	SWL-02	LOCK WASHER, 1/4" SS (EA)	4	5.2
5	SN-02	1/4" SS HEX NUT	4	5.2
6	SB-0210	1/4" X 1" SS BOLT	4	5.2
7	100534-389	SCR,HCS,HEX,M5X25,SST,PASS	8	5.2
8	100521-19	WSHR,FLAT,M5.5,3X10X1,SST,PASS	8	5.2
9	100522-89	WSHR,LK,SPLT, M5,SST, PASS	8	5.2
10	100526-90	NUTS,HEX,M5-.8,SST,PASS	8	5.2
9000	860673121-AMK-2-XX	STRAND AMK, ALPHA BRACKETS	1	5.3

DENSITY		lbs/in <sup>3</sup>
MASS	1.45	lbs
VOLUME	456.00	in <sup>3</sup>
SURFACE AREA	428.00	in <sup>2</sup>
HEIGHT	4.00[101.6]	
LENGTH	19.00[482.6]	
WIDTH	6.00[152.4]	

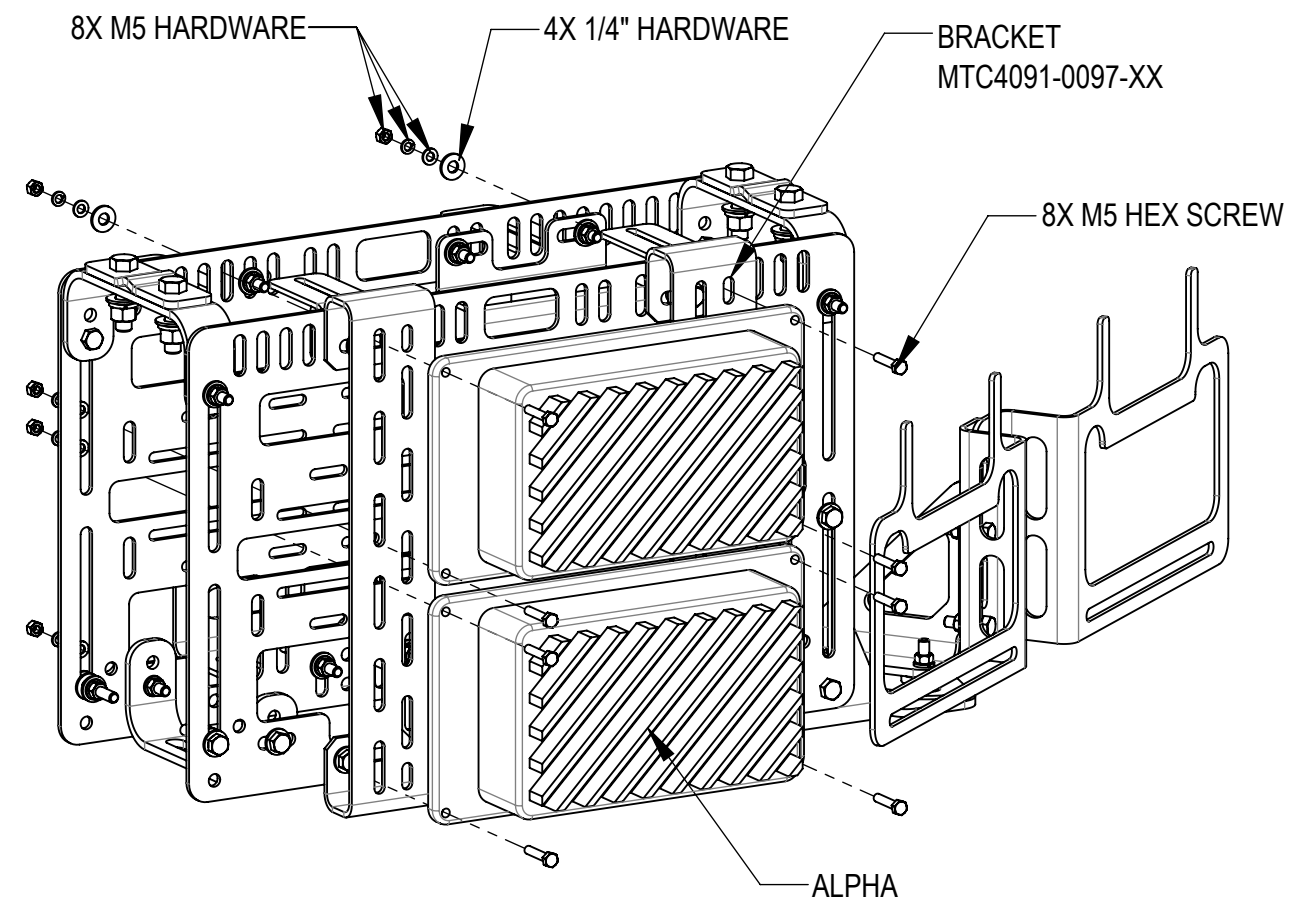
<b>COMMSCOPE, INC. OF NORTH CAROLINA</b>			
TOLERANCES		SAP MATERIAL MASTER	
1 PLACE .X[X] ± 0.2[6.3]	3 PLACE .XXX[X] ± 0.060[1.5]	<b>860673121-AMK-2-XX</b>	
2 PLACE .XX[X] ± 0.12[3.0]	ANGLES ± 2°		
FINISH		MATERIAL	
UNLESS OTHERWISE SPECIFIED DIMENSIONS ARE IN INCHES INTERPRET PER ANSI Y 14.5M-1994	NAME	DATE	TITLE
	CE YC1059	19JUN06	<b>STRAND AMK, ALPHA BRACKETS</b>
	RW YC1059	07/01/2024	
	AD LX1002	07/02/2024	
	RE DM1121	07/08/2024	
ECN 40198237CMO			
SCALE	DOCUMENT NO.		
<b>1:4</b>	<b>860673121-AMK-2-XX</b>		
SIZE	Auth Group	INSL	MODEL
<b>C</b>			
VERSION	STATUS	REVISION	DRAWING
00	RE	A	00
			STATUS
			REVISION
			REVISION
			SHEET
			1 OF 2

# ALPHA AND STRAND AMK INSTALLATION



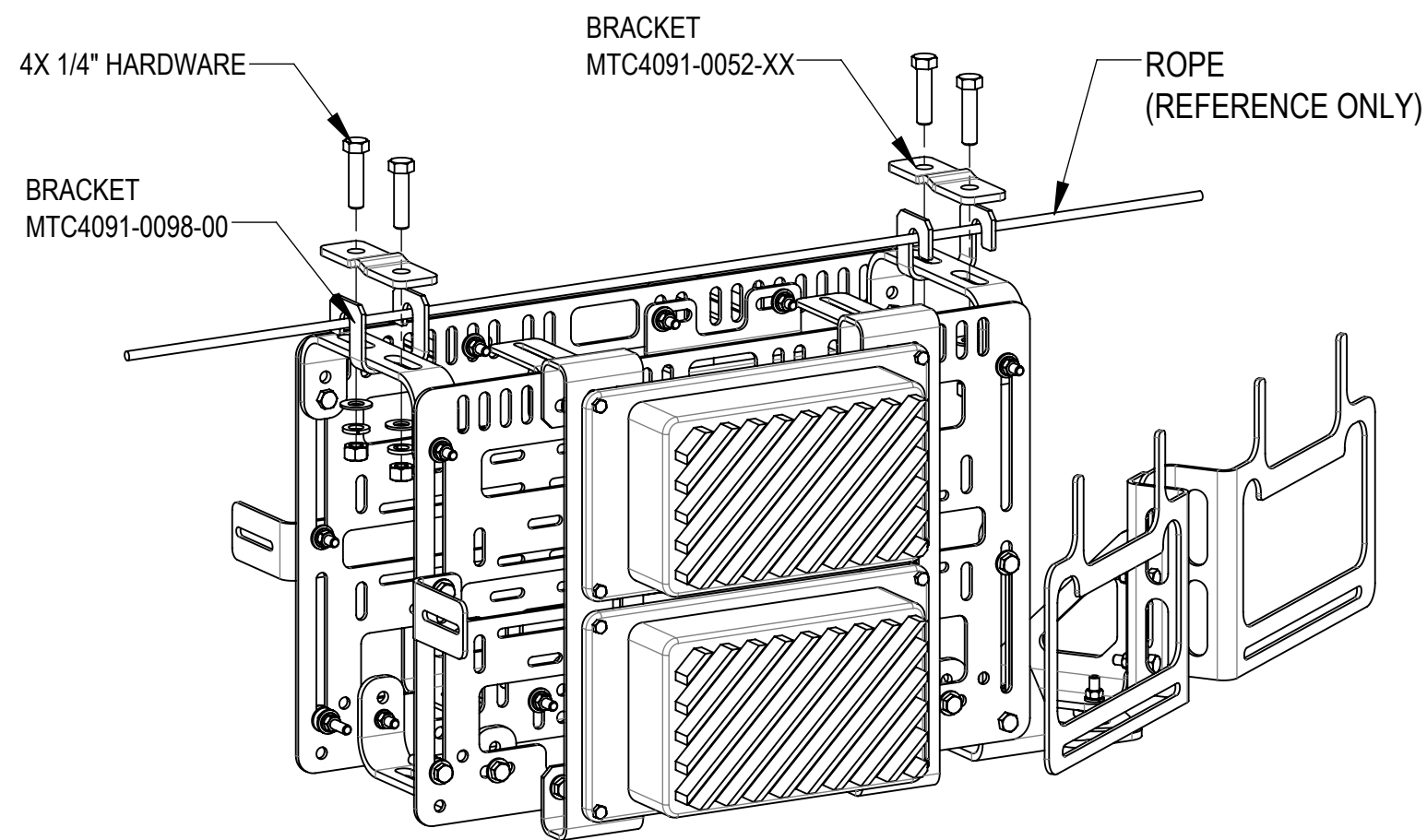
### STEP 1

INSTALL TWO BRACKETS MTC4091-0097-XX TO STRAND AMK USING 1/4" BOLTS, FLAT WASHERS ( 2EA ), LOCK WASHERS, HEX NUTS, AS SHOWN



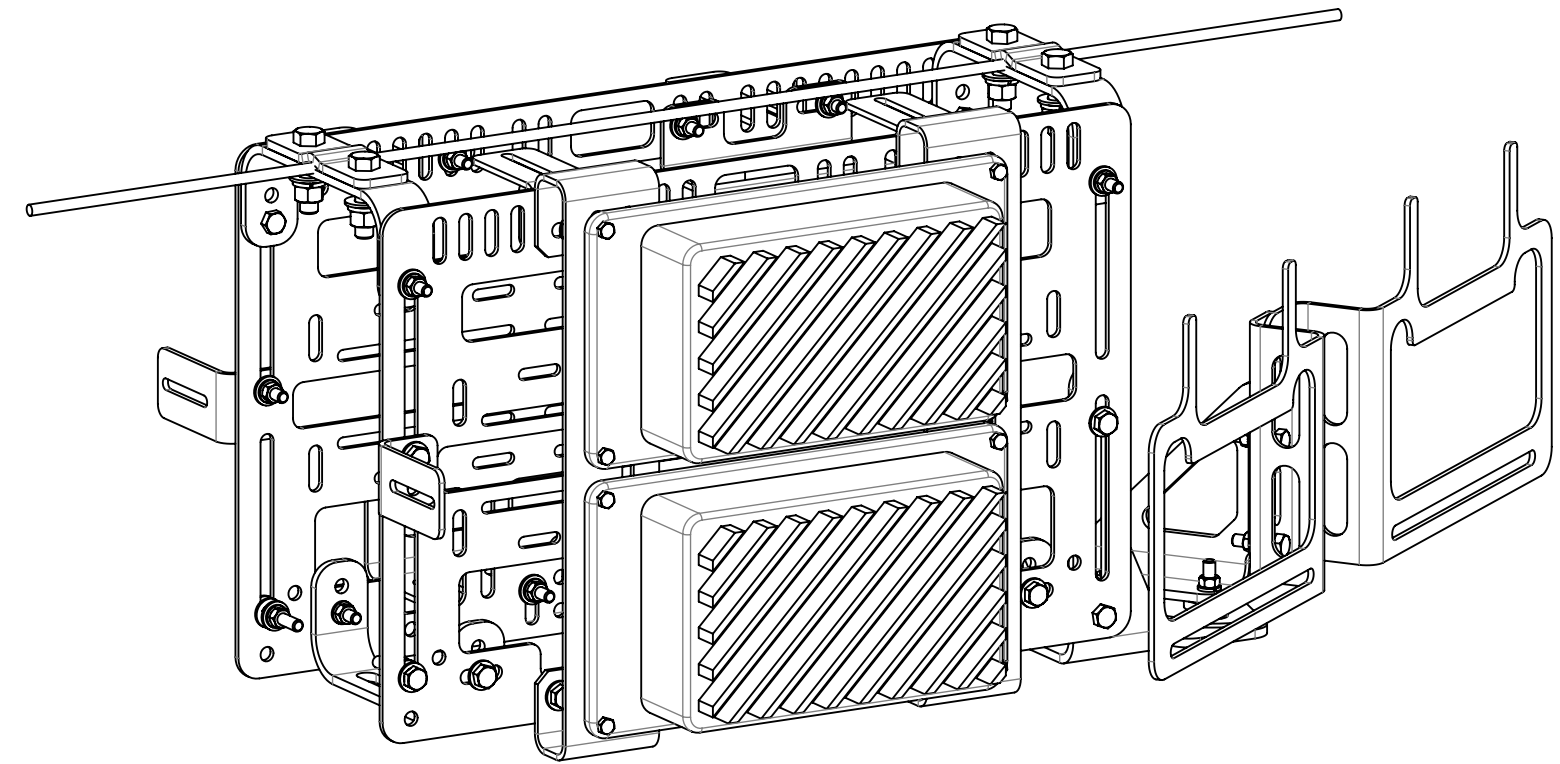
### STEP 2

INSTALL TWO RADIOS ALPHA TO TWO BRACKETS MTC4091-0097-XX USING 8 SETS OF M5 HEX SCREWS, FLAT WASHERS, LOCK WASHERS, HEX NUTS AND 8 SETS OF 1/4" FLAT WASHERS


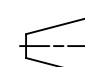


### STEP 3

- 1) INSTALL TWO BRACKETS MTC4091-0098-00 TO STRAND AMK AS SHOWN
- 2) HANG THE STRAND AMK USING TWO BRACKETS MTC4091-0098-00 TO THE ROPE AS SHOWN
- 3) INSTALL TWO BRACKETS MTC4091-0052-XX TO STRAND AMK AND ROPE USING 4 SETS OF 1/4" BOLTS, FLAT WASHERS, LOCK WASHERS, HEX NUTS, AS SHOWN
- 4) REMOVE TWO BRACKETS MTC4091-0098-00



FINISHED PRODUCT

COMMSCOPE, INC. OF NORTH CAROLINA				
TITLE STRAND AMK, ALPHA BRACKETS				
SIZE C	SCALE 1:8	DOCUMENT NO. 860673121-AMK-2-XX		
 		DRAWING		SHEET 2 OF 2
		VERSION 00	STATUS RE	