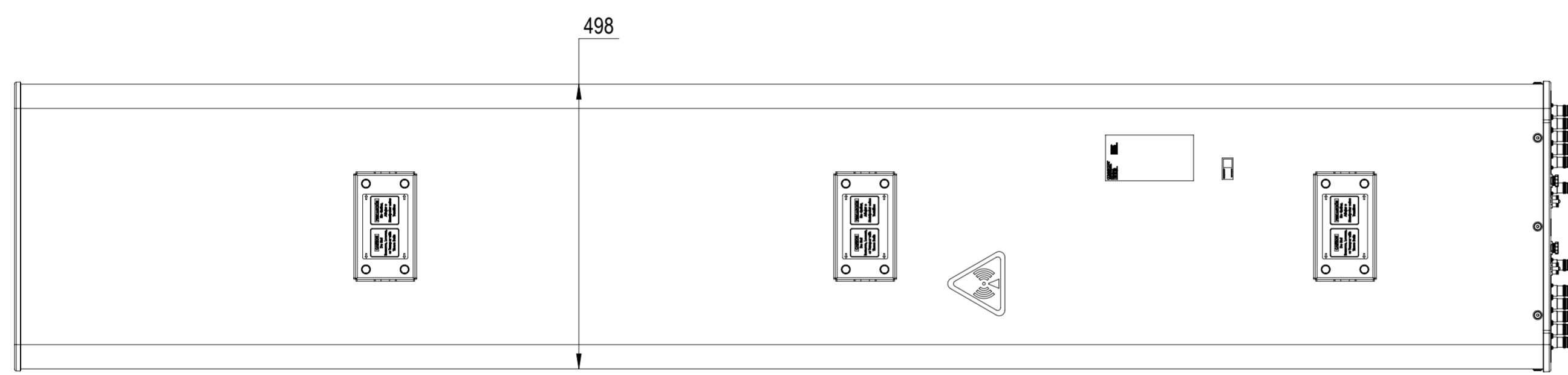
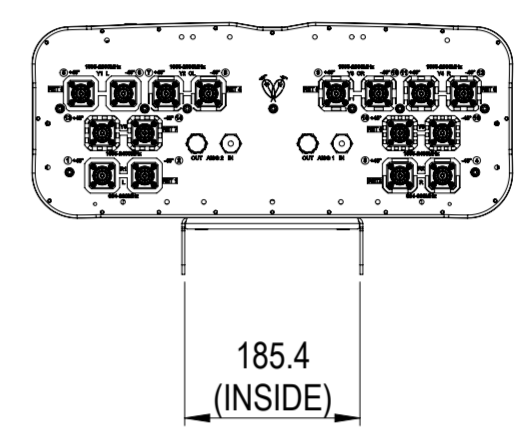
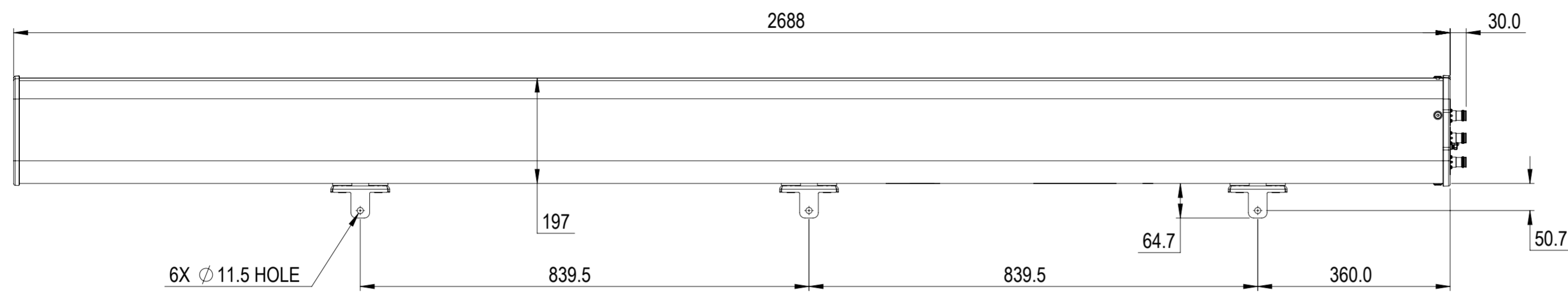


NOTES:

REVISION
A



RRV42H-6533D-R8