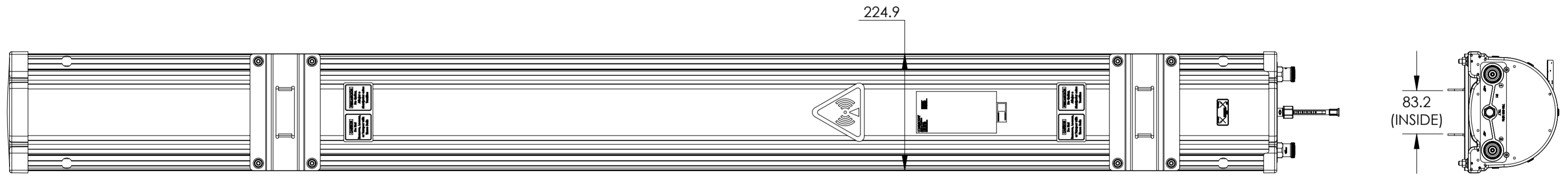
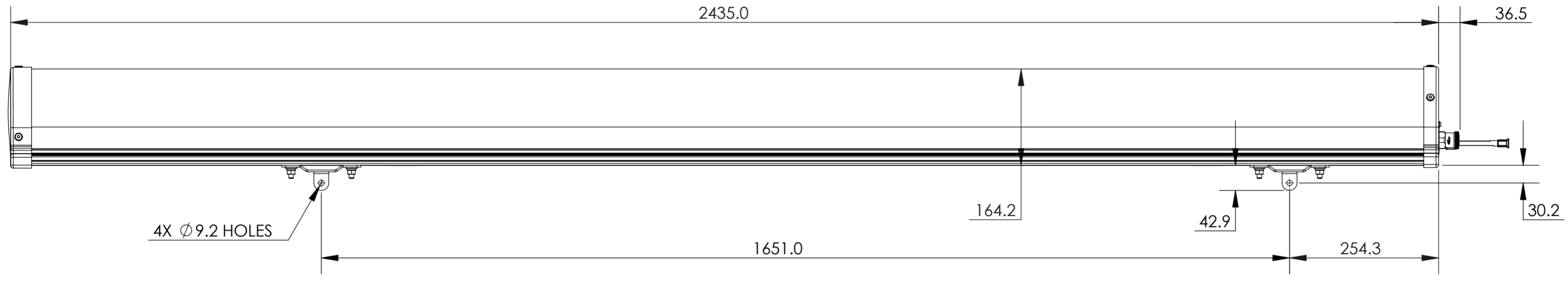


REVISION
B



LDX-9014DS-VTM

4

3

2

1

D

D

C

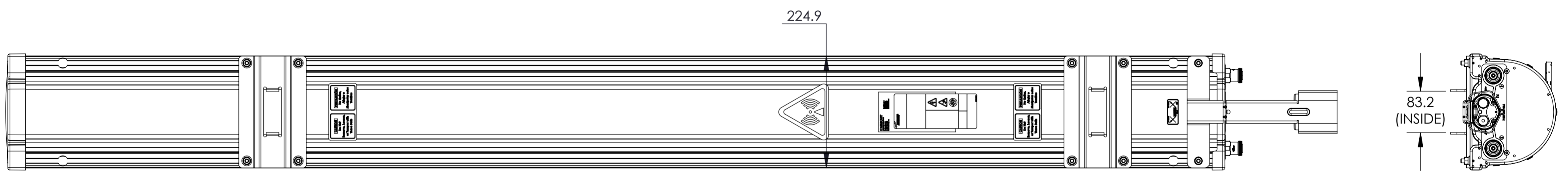
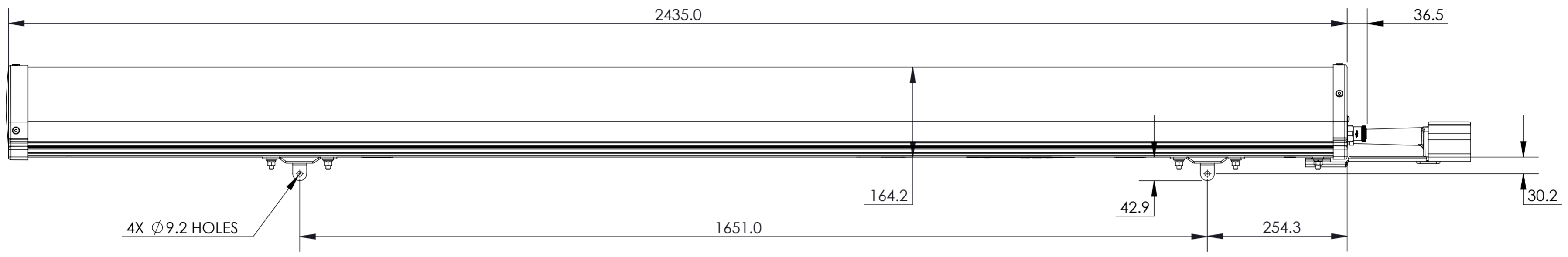
C

B

B

A

A



LDX-9014DS-A1M
 LDX-9014DS-R2M

4

3

2

1