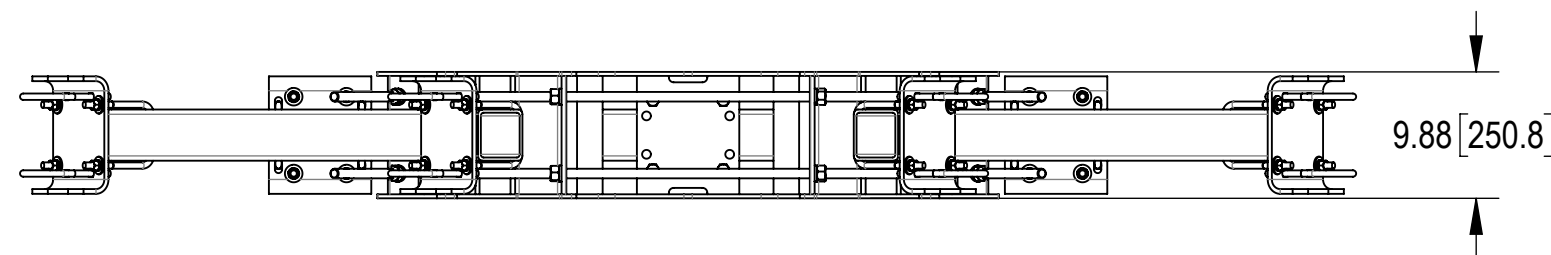
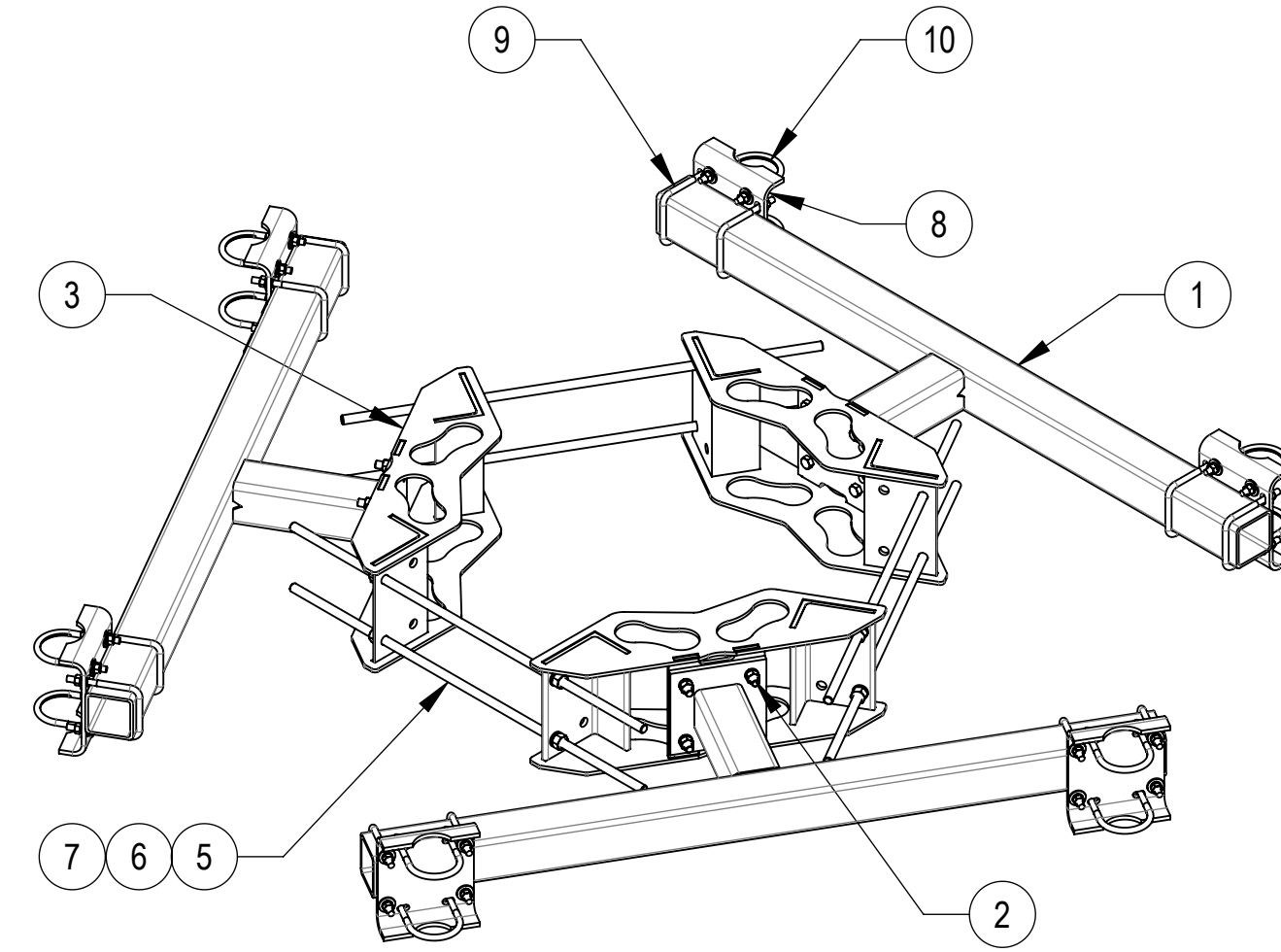
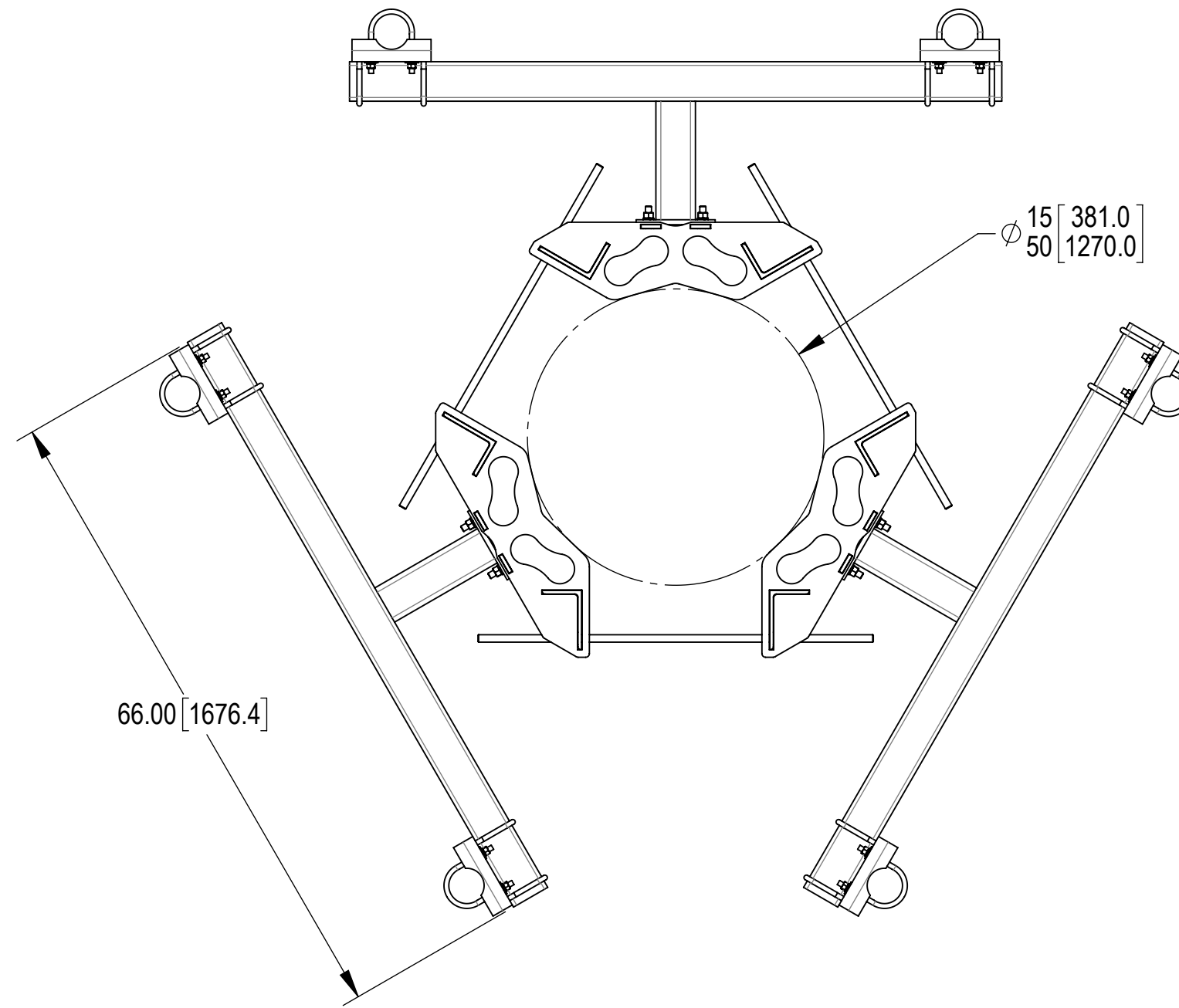


- 1.0 GENERAL NOTES  
 1.1 ALL METRIC DIMENSIONS ARE IN BRACKETS [X. X]  
 1.2 FOR PATENT INFO: <https://www.cs-pat.com>
- 2.0 DESIGN NOTES  
 2.1 ANY HAZARDS OR OBSTRUCTIONS TO THE CLIMBING FACILITY AND SAFETY CLIMB MUST BE IDENTIFIED PRIOR TO INSTALLING THE APPURTENANCE. ADDITIONAL PRODUCTS MAY BE REQUIRED TO MAINTAIN THE INTEGRITY OF THE SAFETY CLIMB. DURING INSTALLATION, TEMPORARY AND/OR PERMANENT PRECAUTIONARY MEASURES SHOULD BE TAKEN TO PRESERVE THE CLIMBING FACILITY AND/OR SAFETY CLIMB.  
 2.2 FITS MONOPOLES 15" TO 50" OD.
- 3.0 MANUFACTURING/SPECIAL REQUIREMENTS  
 3.1 TIGHTEN ALL BOLTS SECURING FLAT PLATES BY THE TURN-OF-NUT METHOD. TIGHTEN ALL U-BOLTS USING TURN-OF-NUT METHOD WITH ATTENTION TO LEAVE EQUAL DISTANCE AND EQUAL FORCE ON EACH LEG OF THE U-BOLT.
- 4.0 TEST
- 5.0 PACKAGING  
 5.1 PACKAGING SHALL MEET COMMScope REQUIREMENTS PER DOCUMENT IS-PL-3005  
 5.2 PRINTED DOCUMENT TO BE PLACED INSIDE POLYBAG AND THEN IN SHIPPING CONTAINER  
 5.3 EXTRA HARDWARE MAY BE SUPPLIED, BAGGED AND SHIPPED

REVISIONS			
REV.	DESCRIPTION	DATE	APPROVED
A	INITIAL RELEASE	MSM 21NOV11	
B	MTC306504W WAS MTC306504	RJC 10SEP15	TP 8000010163
C	REDRAWN IN SOLIDWORKS, REMOVED NUTS AND WASHERS FOR SQ U-BOLTS	YMENG 02SEP24	YC1015 40203740CMO



COMPONENT PART NUMBERS PROVIDED FOR ASSEMBLY PURPOSES;  
 INDIVIDUAL COMPONENTS MAY BE SHIPPED AS PARTS WITHIN AN INCLUDED KIT.

ITEM	PART NO.	DESCRIPTION	QTY.	WEIGHT	NOTE
1	MTC306501	SQUARE TUBE T-ARM WELDMENT	3	89.19 LBS	
2	GB-0522A	5/8" X 2-1/4" GALV BOLT KIT (A325)	12	0.28 LBS	
3	MTC306504W	1550 RM WELDMENT	3	0.00 LBS	
4	MT38424	3/4" X 24" GALV THREADED ROD	6	2.99 LBS	NOT SHOWN, FIT 15"-30" MONOPOLES
5	MT38440	3/4" X 40" GALV THREADED ROD GRADE B7	6	4.98 LBS	FIT 30"-50" MONOPOLES
6	GWL-06	3/4" GALV LOCK WASHER	12	0.04 LBS	
7	GN-06	3/4" GALV HEX NUT	12	0.15 LBS	
8	MTC305503	PIPE MOUNT PLATE, 3-1/2" PIPE, 4" SQ TUBE	6	9.35 LBS	
9	MTC305505	SQ GALV U-BOLT, 1/2-13 X 4 X 6	12	0.88 LBS	
10	GUB-4356	1/2" X 3-5/8" X 6" GALV U-BOLT	12	0.81 LBS	

**COMMScope, INC. OF NORTH CAROLINA**

TOLERANCES		SAP MATERIAL MASTER	
1 PLACE .X[X] ± 0.2[6.3]	3 PLACE .XXX[X] ± 0.060[1.5]	<b>MC-HPM1250-B</b>	
2 PLACE .XX[X] ± 0.12[3.0]	ANGLES ± 2°		
FINISH		MATERIAL	
UNLESS OTHERWISE SPECIFIED DIMENSIONS ARE IN INCHES INTERPRET PER ANSI Y 14.5M-1994		TITLE	
CE	MSM	21NOV11	<b>3 SECTOR SQUARE TUBE, 1550 RM, 6 MOUNTS</b>
RW	YMENG	09/03/2024	
AD	YC1015	09/08/2024	
RE	YMENG	09/12/2024	
ECN 40203740CMO		SCALE	DOCUMENT NO.
		<b>1:24</b>	<b>MC-HPM1250-B</b>
SIZE	Auth Group	INSL	MODEL
<b>C</b>			
DRAWING		SHEET	
VERSION	STATUS	REVISION	VERSION
00	RE	C	00
REVISION		REVISION	
		C	
			1 OF 1