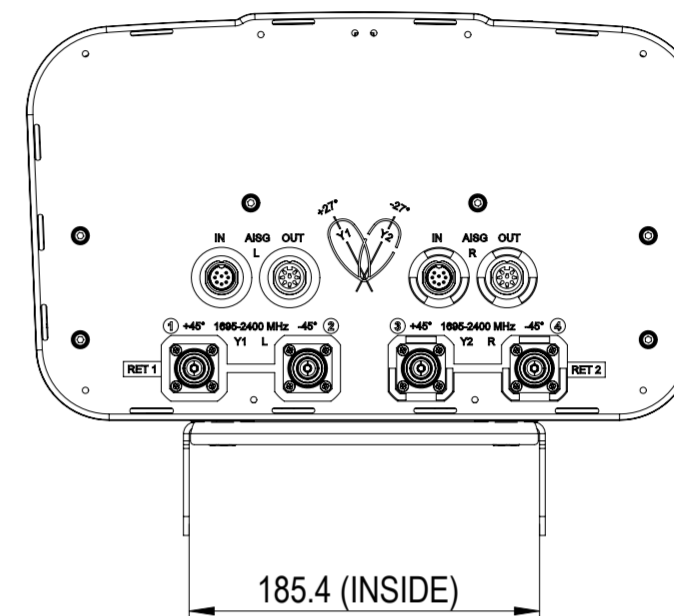
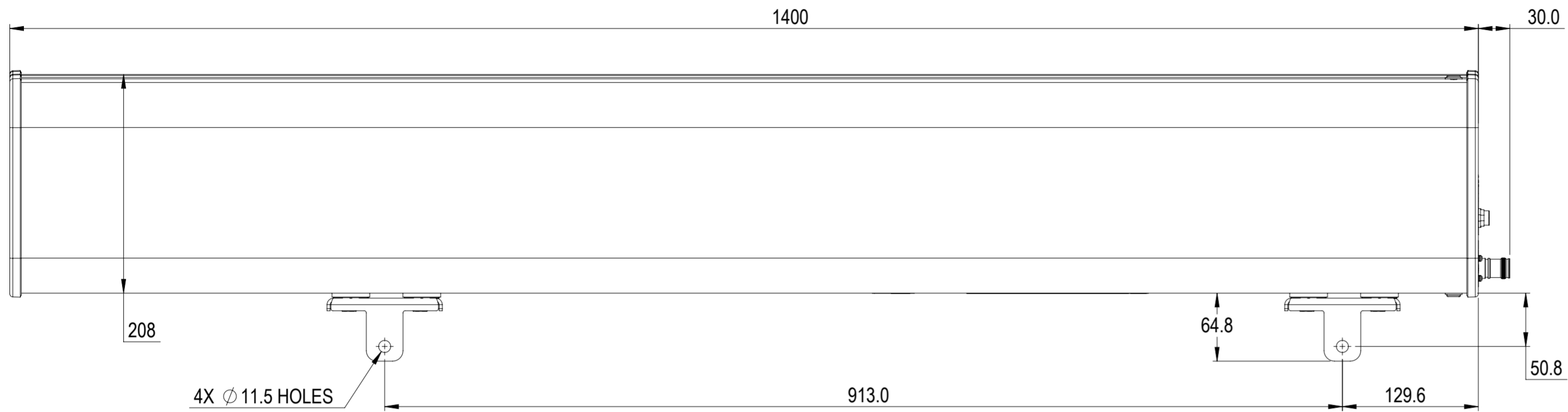


NOTES:

REVISION

D



2H-33A-R2