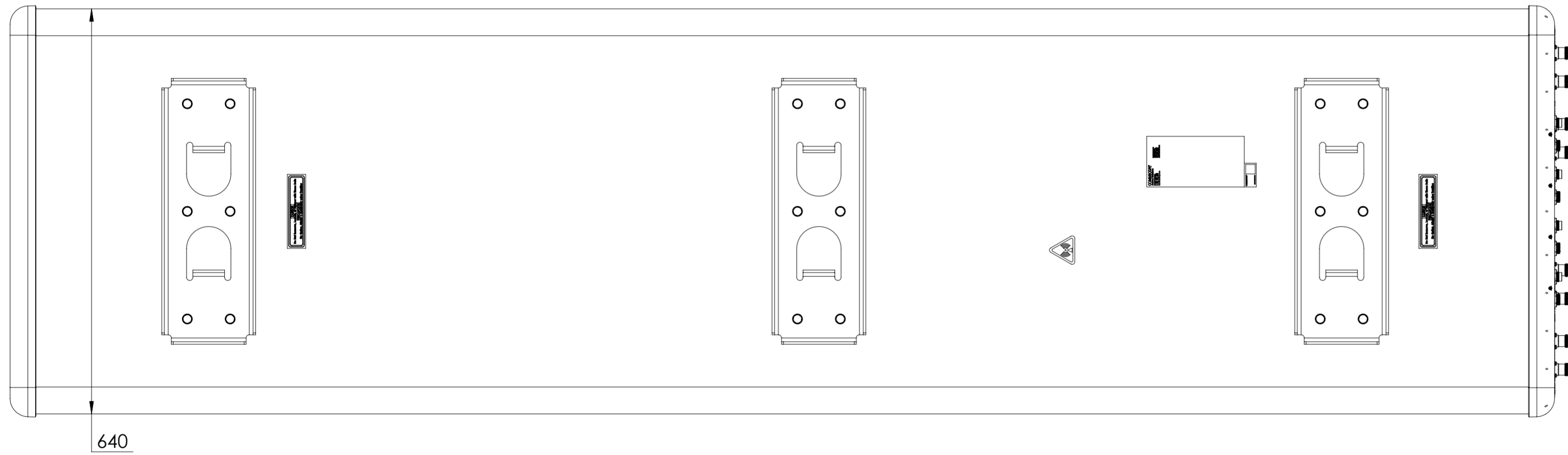
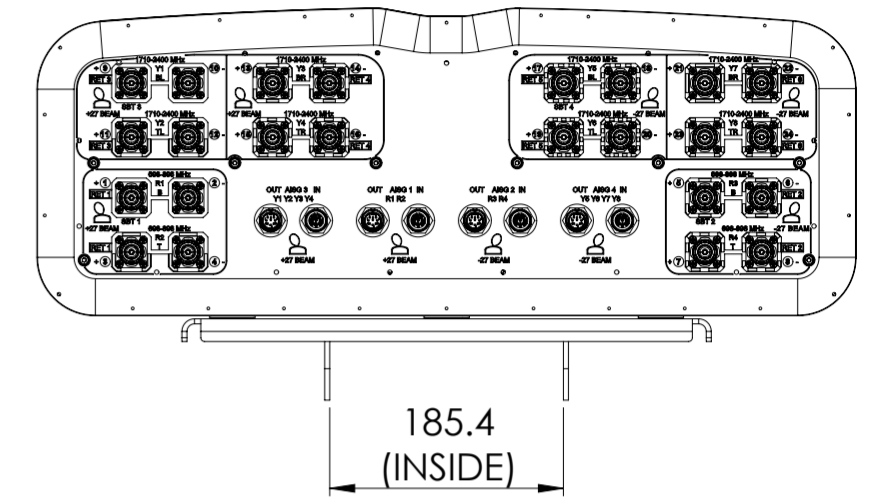
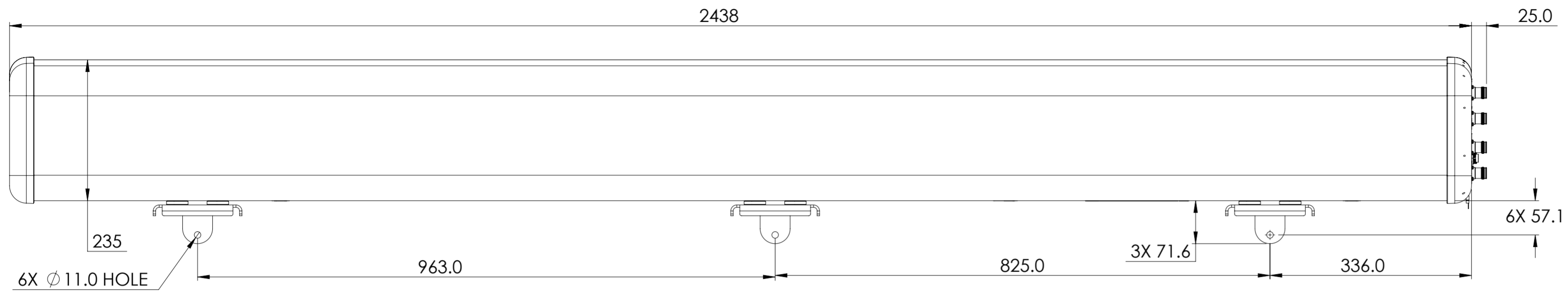


REVISION
B



2NN2H4-33C-R6B