

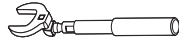
MLOC-MQ Cable Installation

MLOC-CLT assemblies

Bulletin 7861158 Revision A Page 1 of 1

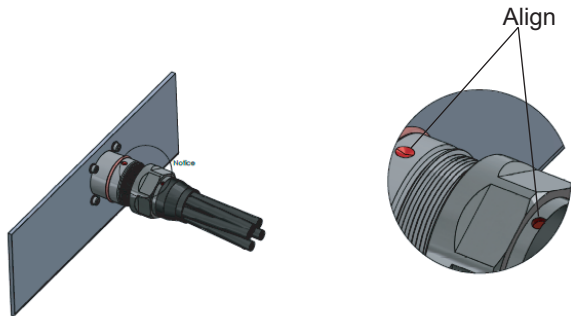


Wrench Size: 16mm,
18mm, 22mm, 32mm

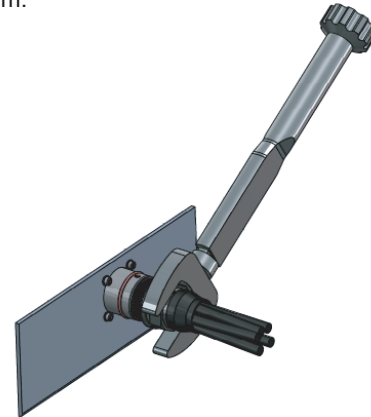


Torque Wrench Required
Size: 18mm, 22mm, 32mm

- 1** First, connect the MQ end to the RRU port. Align two red anchor points.



- 2** Tighten the coupling nut using a torque wrench. The tightening torque is 25 N·m.



- 3** Organize cables to avoid stranding them together.



- 4** Rotate the MLOC connector to facilitate installation with the antenna port. Note that the rotation angle does not exceed $\pm 180^\circ$. For the installation steps of the MLOC port, please refer to IB:7841814



CommScope

3642 E US Highway 70, Claremont, NC 28610 USA
(828) 324-2200 (800) 982-1708
www.commscope.com

Technical Support

+1 888 297 6433, Option 3 (Toll Free US and Canada)
+49-9099-69-333
<https://www.commscope.com/wisupport> (open a ticket)

Notice: CommScope disclaims any liability or responsibility for the results of improper or unsafe installation, inspection, maintenance, or removal practices.

Aviso: CommScope no acepta ninguna obligación ni responsabilidad como resultado de prácticas incorrectas o peligrosas de instalación, inspección, mantenimiento o retiro.

Avis : CommScope décline toute responsabilité pour les conséquences de procédures d'installation, d'inspection, d'entretien ou de retrait incorrectes ou dangereuses.

Hinweis: CommScope lehnt jede Haftung oder Verantwortung für Schäden ab, die aufgrund unsachgemäßer Installation, Überprüfung, Wartung oder Demontage auftreten.

Atenção: A CommScope abdica do direito de toda responsabilidade pelos resultados de práticas inadequadas e sem segurança de instalação, inspeção, manutenção ou remoção.

Avvertenza: CommScope declina eventuali responsabilità derivanti dall'esecuzione di procedure di installazione, ispezione, manutenzione e smontaggio improprio o poco sicure.

注意: CommScope 公司申明對於不恰當或不安全的安裝、檢驗、維修或拆卸操作所導致的後果不負責任 何義務和責任