

4

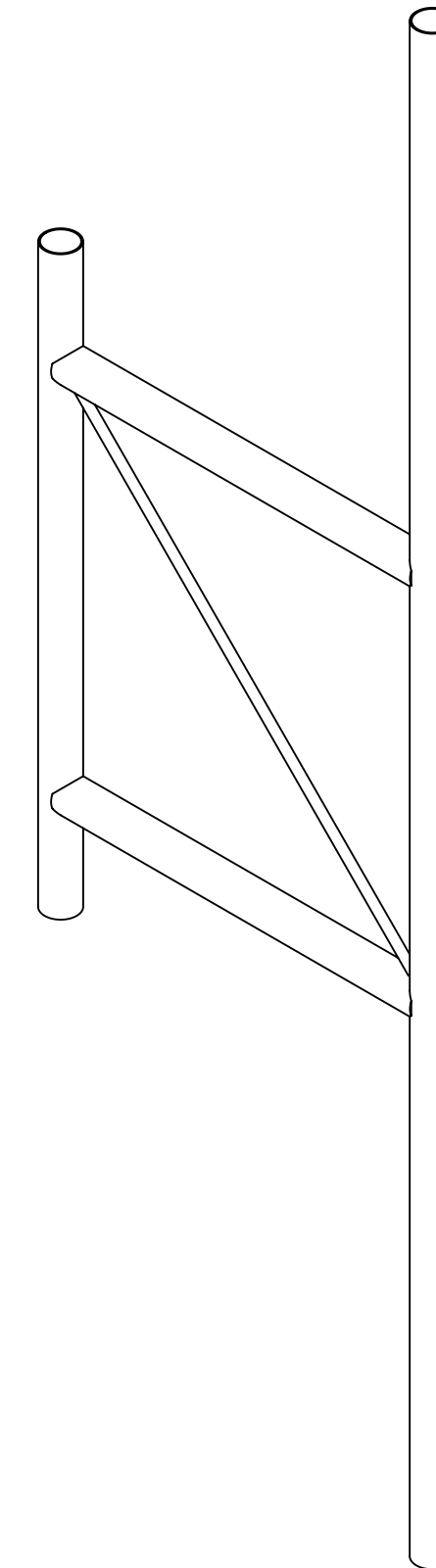
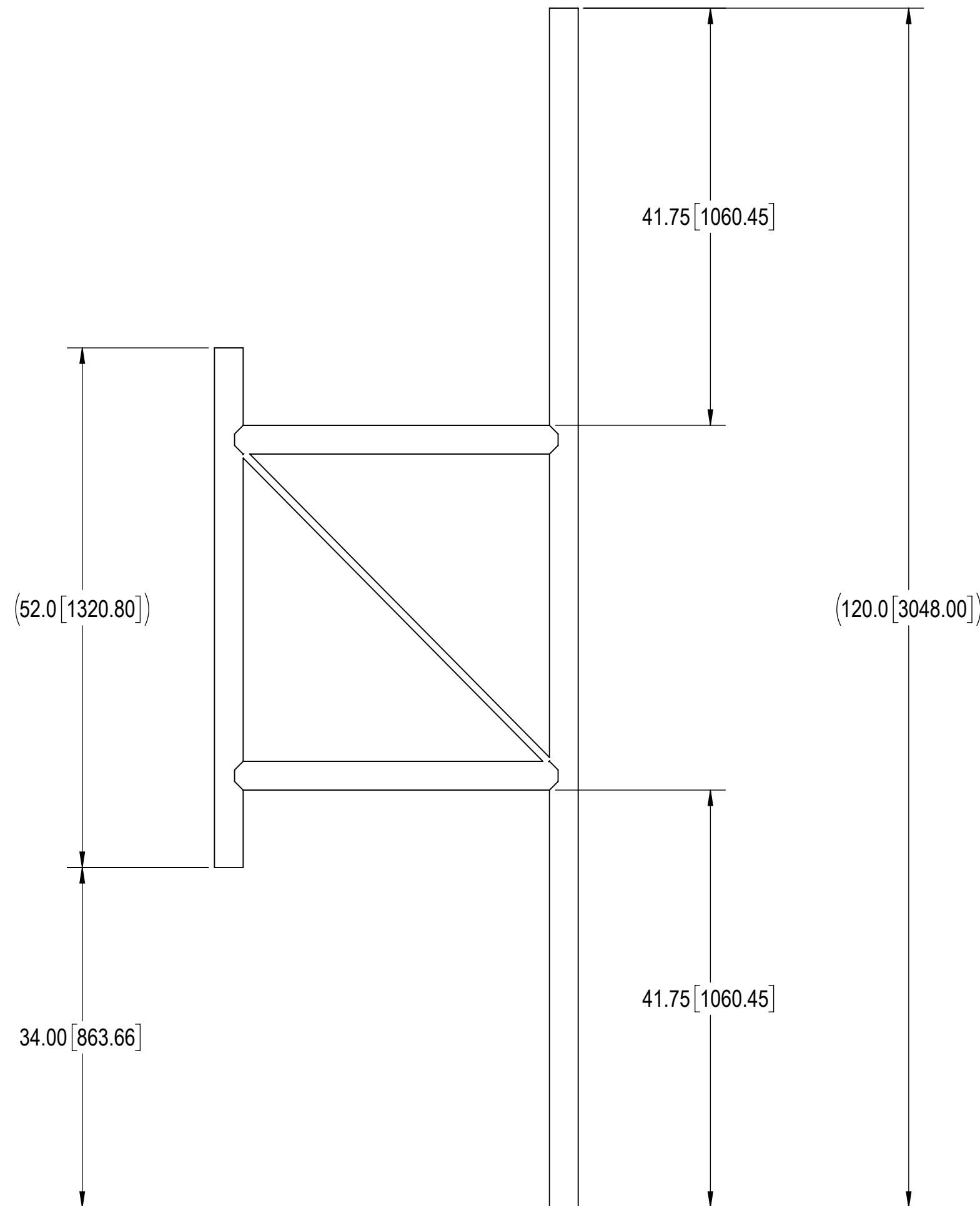
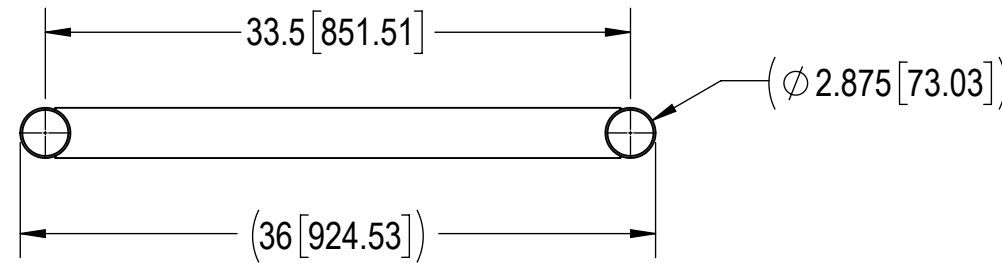
3

2

1

- 1.0 GENERAL NOTES
 - 1.1 ALL METRIC DIMENSIONS ARE IN BRACKETS [X.X]
 - 1.2 FEATURES CRITICAL TO QUALITY ARE INDICATED IN ROUNDED BOX (X.X)
 - 1.3 3D DIGITAL FILES ARE FOR REFERENCE. IN CASE OF CONFLICT FOLLOW PDF DRAWING
- 2.0 DESIGN NOTES
- 3.0 MANUFACTURING/SPECIAL REQUIREMENTS
 - 3.1 BREAK SHARP EDGES AND DEBURR PART FOR SAFE HANDLING
 - 3.2 GALVANIZE PER ASTM A123
 - 3.3 MARK WITH PART NUMBER, REVISION, AND VENDOR ID WITH ETCH, STAMP OR LABEL. CHARACTERS TO BE 0.12" TO 0.24" HIGH AND LEGIBLE TO THE UNAIDED EYE.
- 4.0 TEST
- 5.0 PACKAGING
 - 5.1 PACKAGING SHALL MEET COMMSCOPE REQUIREMENTS PER DOCUMENT IS-PL-3005

REVISIONS			
REV.	DESCRIPTION	DATE	APPROVED
A	INITIAL RELEASE	YMENG 05AUG24	BA1025 40201651CMO
B	UPDATED NOTES AND REMOVED BARE LEVEL	YMENG 14AUG24	BA1025 40202145CMO



COMMSCOPE, INC. OF NORTH CAROLINA									
TOLERANCES			SAP MATERIAL MASTER						
1 PLACE .X[X] ± 0.2[6.3]		3 PLACE .XXX[X] ± 0.060[1.5]		P-300-HD					
2 PLACE .XX[X] ± 0.12[3.0]		ANGLES ± 2°							
FINISH GALV A123			MATERIAL A500, A529						
UNLESS OTHERWISE SPECIFIED DIMENSIONS ARE IN INCHES INTERPRET PER ANSI Y 14.5M-1994	NAME	DATE	TITLE						
	CE YMENG	05AUG24	PANEL ANT STANDOFF BRK 36" 2-7/8" PIPE						
	RW YMENG	08/13/2024							
	AD BA1025	08/15/2024							
	RE YMENG	08/15/2024							
ECN 40202145CMO									
SCALE	DOCUMENT NO.		P-300-HD						
1:16									
SIZE	Auth Group	INSL	MODEL		DRAWING				
C			VERSION	STATUS	REVISION	VERSION	STATUS	REVISION	SHEET
			00	RE	A	01	RE	B	1 OF 1

DENSITY		lbs/in ³
MASS	74.37	lbs
VOLUME	263.05	in ³
SURFACE AREA	4178.94	in ²
HEIGHT	120"	
LENGTH	36"	
WIDTH	2.88"	