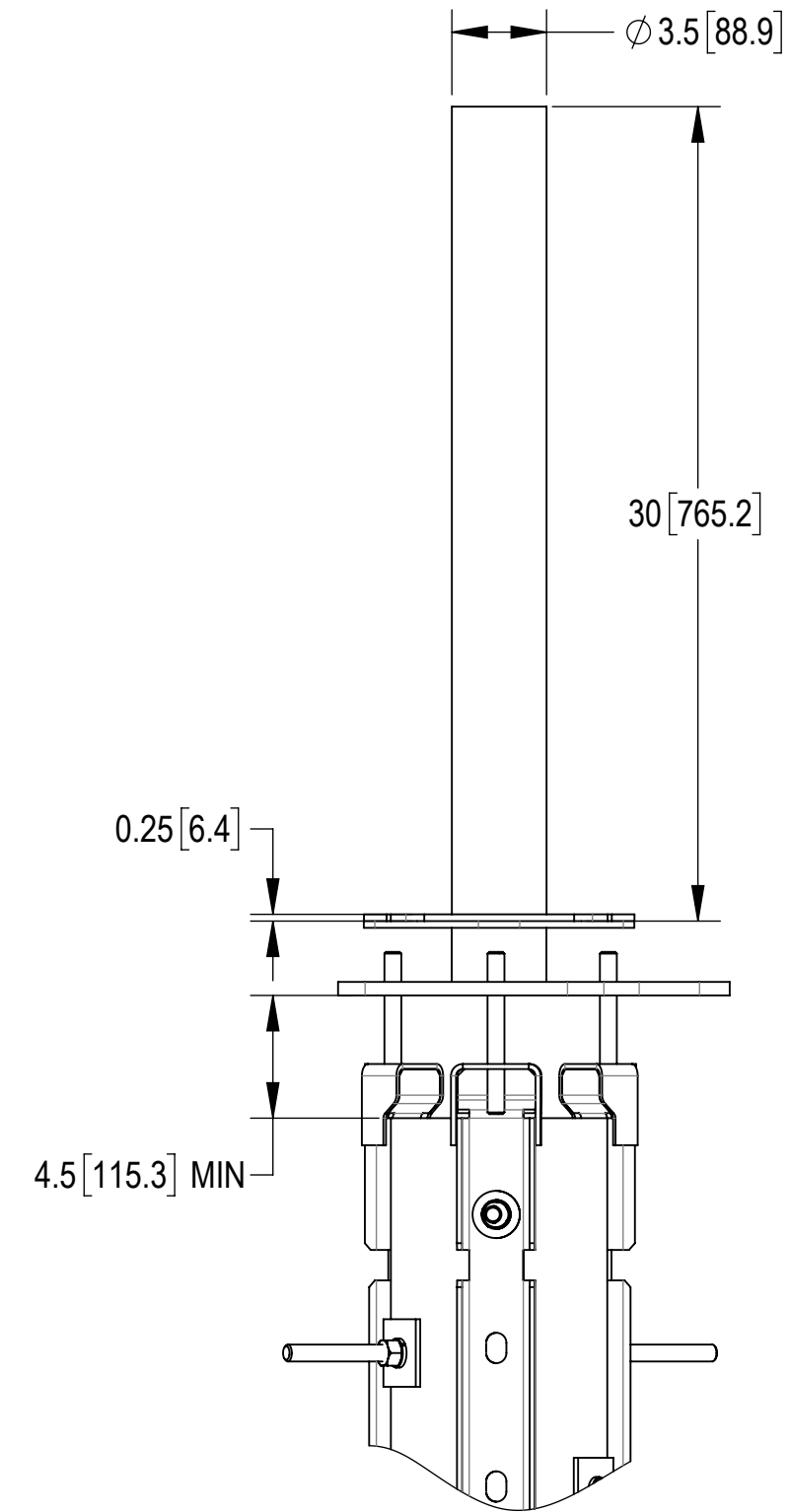
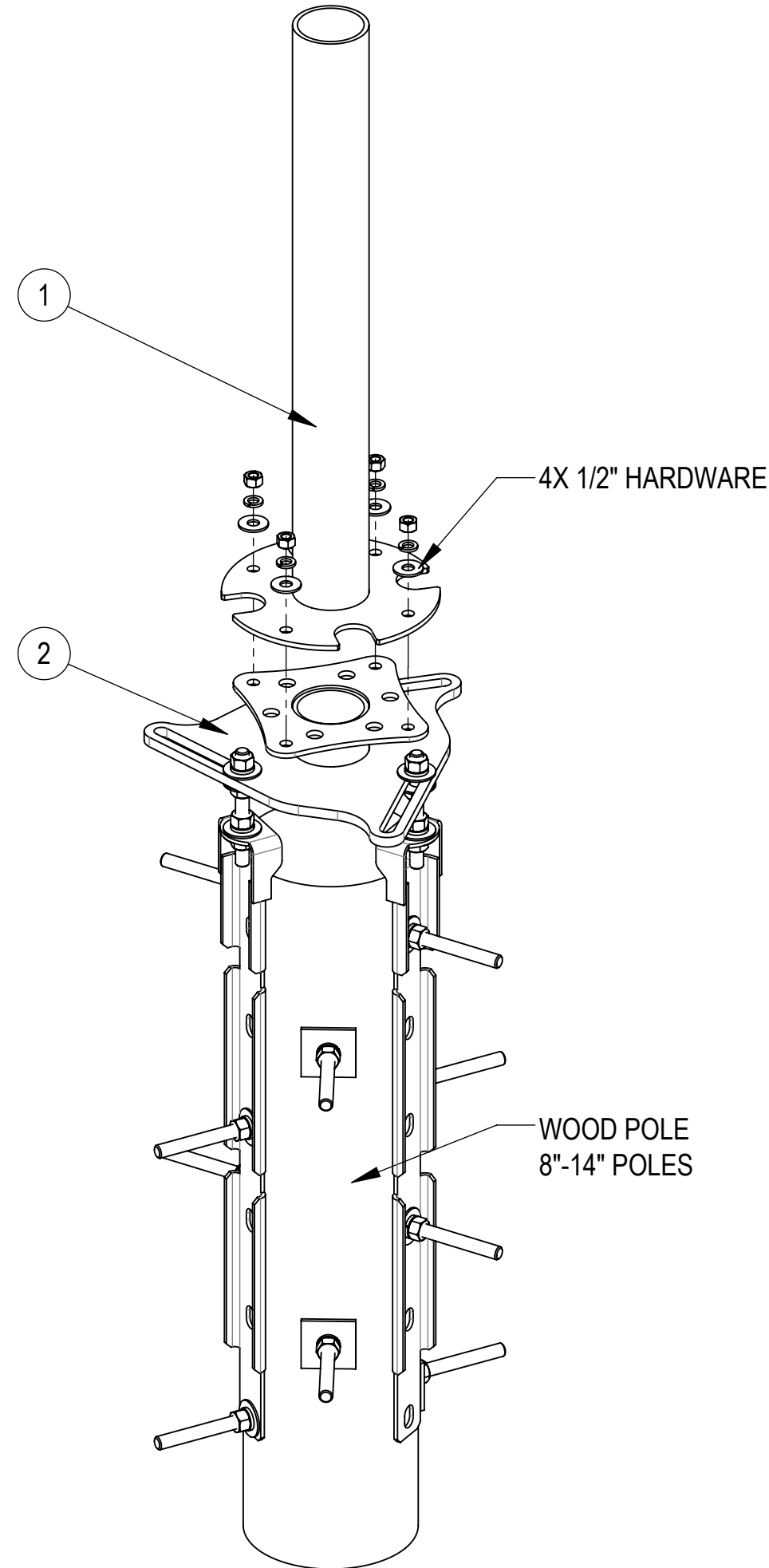


- 1.0 GENERAL NOTES
- 1.1 ALL METRIC DIMENSIONS ARE IN BRACKETS [X.X]
- 1.2 FEATURES CRITICAL TO QUALITY ARE INDICATED IN ROUNDED BOX (X.X)
- 1.3 3D DIGITAL FILES ARE FOR REFERENCE. IN CASE OF CONFLICT FOLLOW PDF DRAWING.
- 2.0 DESIGN NOTES
- 3.0 MANUFACTURING/SPECIAL REQUIREMENTS
- 4.0 TEST
- 5.0 PACKAGING
- 5.1 PACKAGING SHALL MEET COMMSCOPE REQUIREMENTS PER DOCUMENT IS-PL-3005

REVISIONS			
REV.	DESCRIPTION	DATE	APPROVED
A	INITIAL RELEASE	YC1059 07AUG24	JAHAINES 40201760CMO



COMMSCOPE, INC. OF NORTH CAROLINA																																										
TOLERANCES					SAP MATERIAL MASTER																																					
1 PLACE .X[X] ± 0.2[6.3]			3 PLACE .XXX[X] ± 0.060[1.5]		860644677-5GKIT																																					
2 PLACE .XX[X] ± 0.12[3.0]			ANGLES ± 2°																																							
FINISH					MATERIAL																																					
UNLESS OTHERWISE SPECIFIED DIMENSIONS ARE IN INCHES INTERPRET PER ANSI Y 14.5M-1994			NAME		DATE		5G READY WOODPOLE KIT, 8-14" DIA POLE 30"																																			
			CE YC1059		07AUG24																																					
			RW YC1059		08/07/2024																																					
			AD HDAI		08/08/2024																																					
			RE HDAI		08/08/2024																																					
ECN 40201760CMO			SCALE 1:7		DOCUMENT NO. 860644677-5GKIT																																					
DENSITY		61.58		lbs/in ³		<table border="1" style="width: 100%; border-collapse: collapse;"> <tr> <th>SIZE</th> <th>Auth Group</th> <th>INSL</th> <th colspan="2">MODEL</th> <th colspan="3">DRAWING</th> <th rowspan="2">SHEET</th> </tr> <tr> <th>HEIGHT</th> <td>00</td> <td>RE</td> <td>A</td> <td>00</td> <td>RE</td> <td>A</td> <th rowspan="2">1 OF 1</th> </tr> <tr> <th>VOLUME</th> <td>18.01[457.4]</td> <td></td> <td></td> <td></td> <td></td> <td></td> <td></td> </tr> <tr> <th>LENGTH</th> <td>16.16[410.4]</td> <td></td> <td></td> <td></td> <td></td> <td></td> <td></td> </tr> </table>				SIZE	Auth Group	INSL	MODEL		DRAWING			SHEET	HEIGHT	00	RE	A	00	RE	A	1 OF 1	VOLUME	18.01[457.4]							LENGTH	16.16[410.4]						
SIZE	Auth Group	INSL	MODEL		DRAWING					SHEET																																
HEIGHT	00	RE	A	00	RE						A	1 OF 1																														
VOLUME	18.01[457.4]																																									
LENGTH	16.16[410.4]																																									
MASS		283.07		lbs																																						
VOLUME		4665.50		in ³																																						
SURFACE AREA																																										

COMPONENT PART NUMBERS PROVIDED FOR ASSEMBLY PURPOSES;
INDIVIDUAL COMPONENTS MAY BE SHIPPED AS PARTS WITHIN AN INCLUDED KIT.

ITEM NO.	PART NUMBER	DESCRIPTION	QTY.
1	860644677	POLE TOP PIPE MOUNT	1
2	860636779-WP	KIT, WP MOUNT, 5G SPOOL, PT, 8-14IN	1