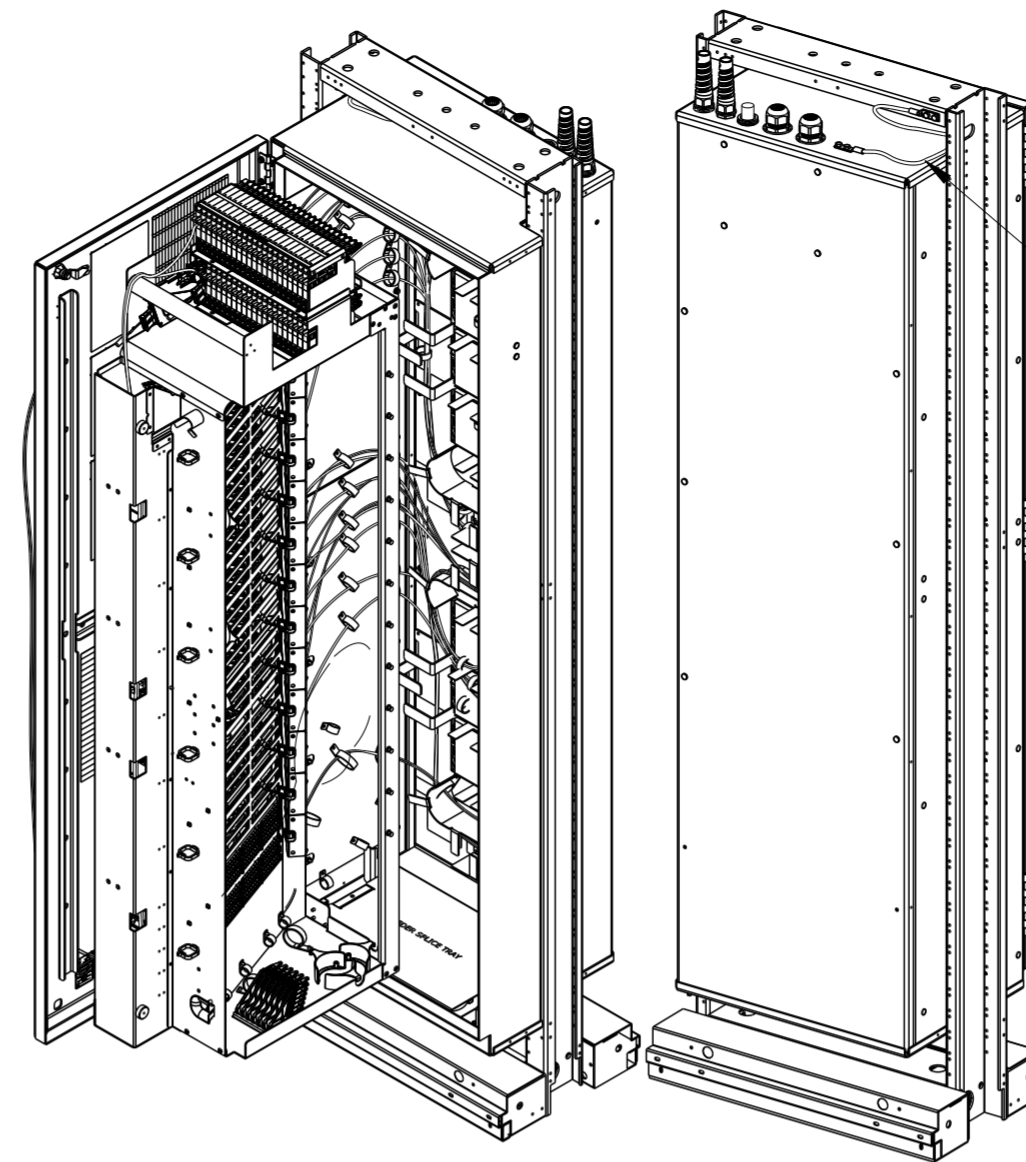
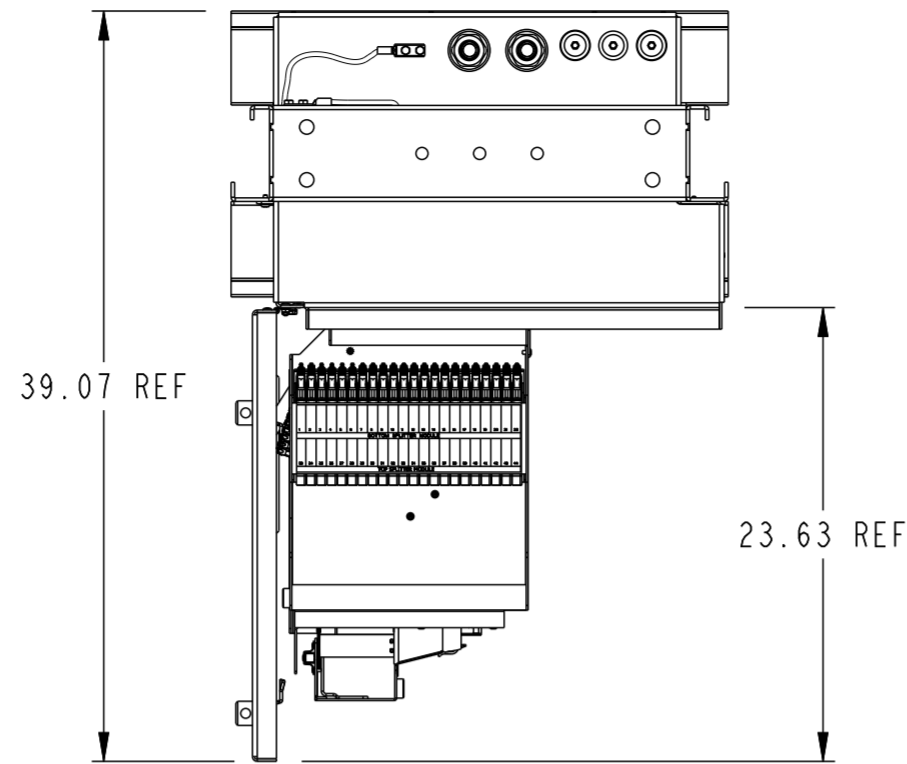
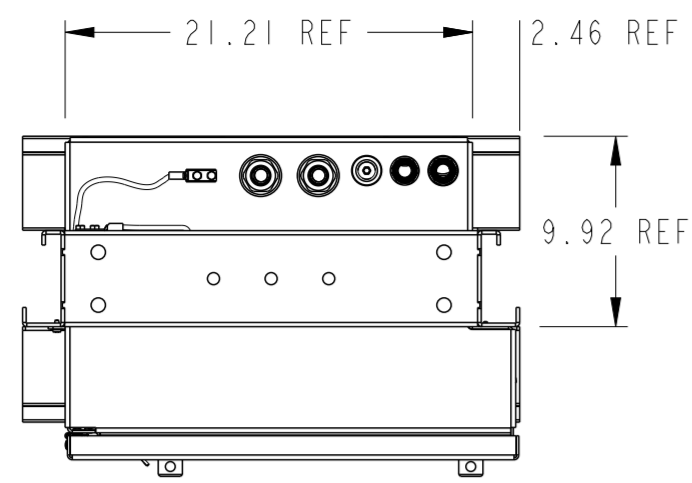
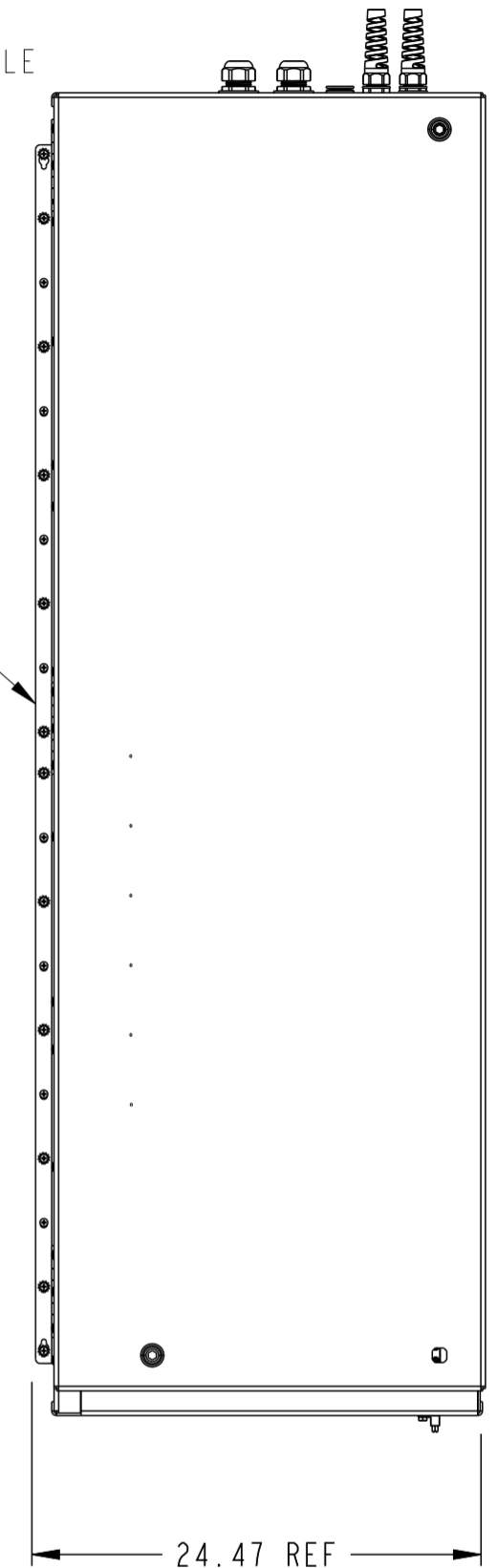


REVISIONS			
REV	CMO	DATE	APPROVED
E	40061609CMO	25-JAN-2019	LCM
F	40121857CMO	27-FEB-2021	ODVL



GROUNDING CABLE

MOUNTING BRACKET

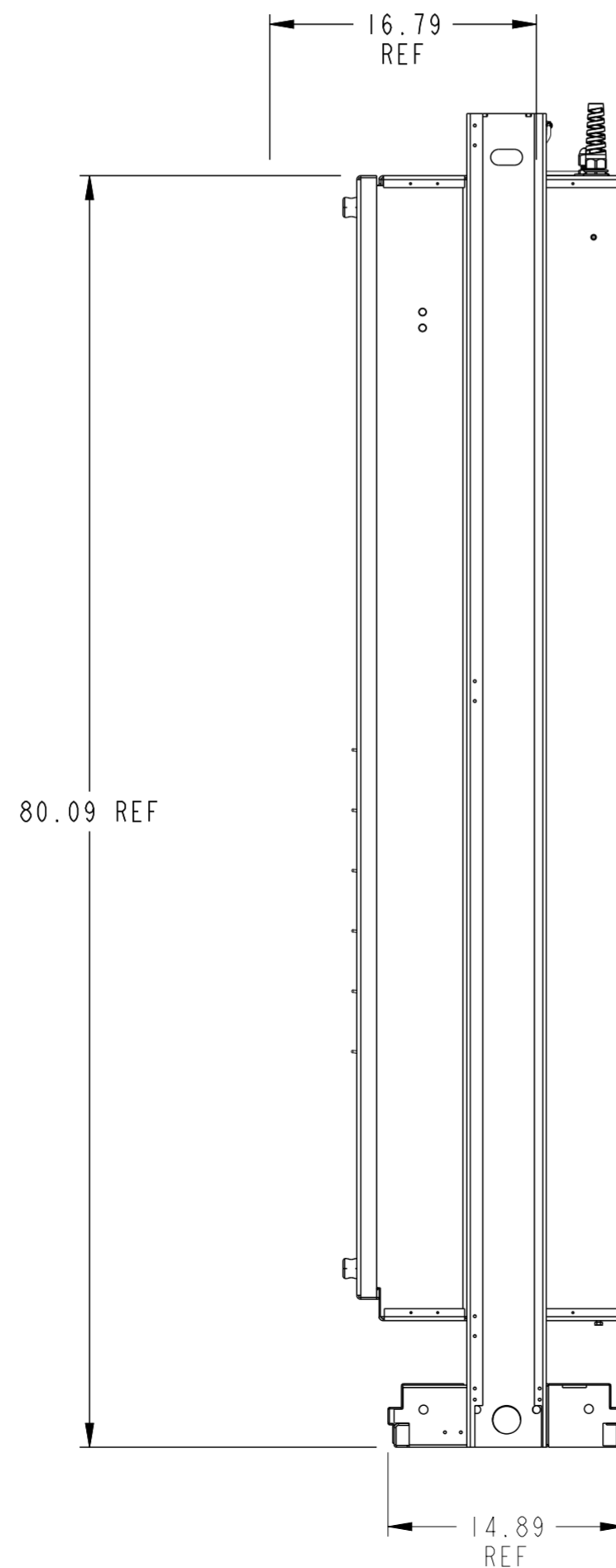
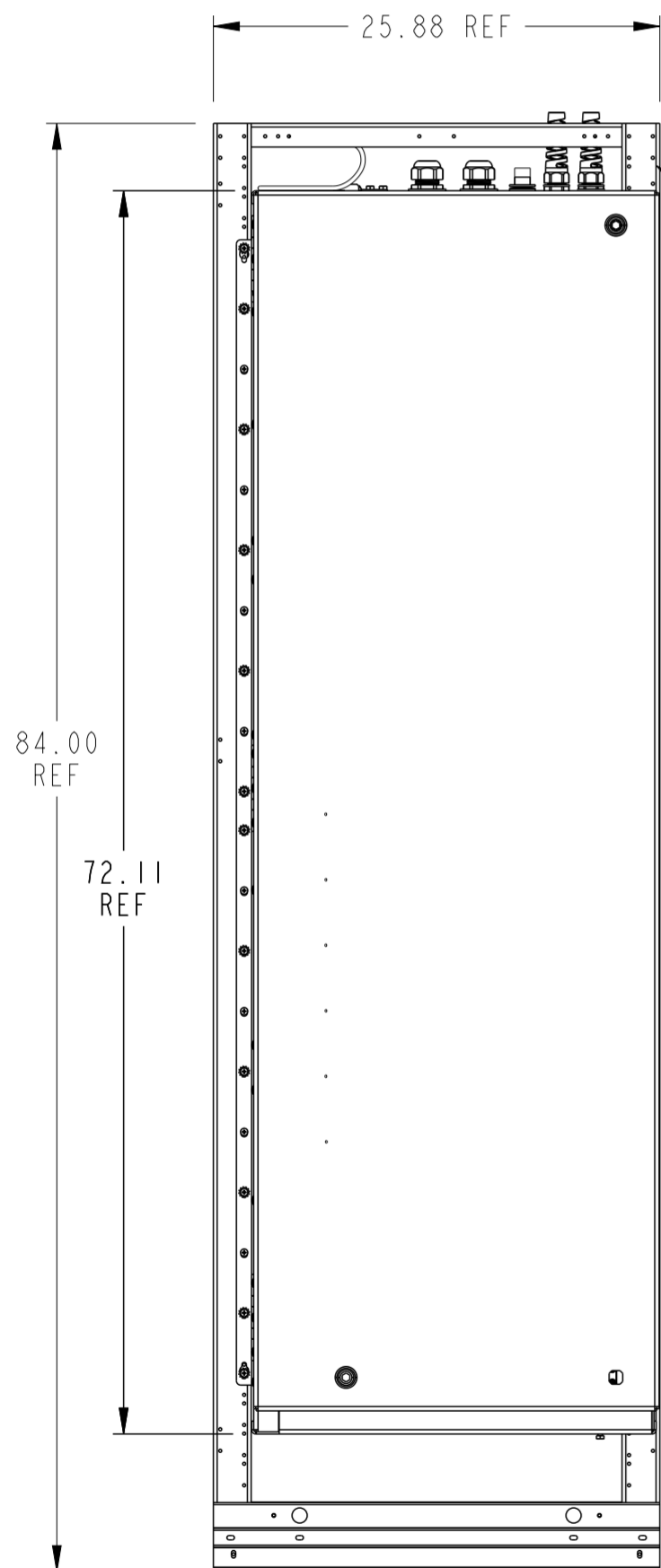


NETWORK RACK

864F INDOOR
FDH

NOTES:

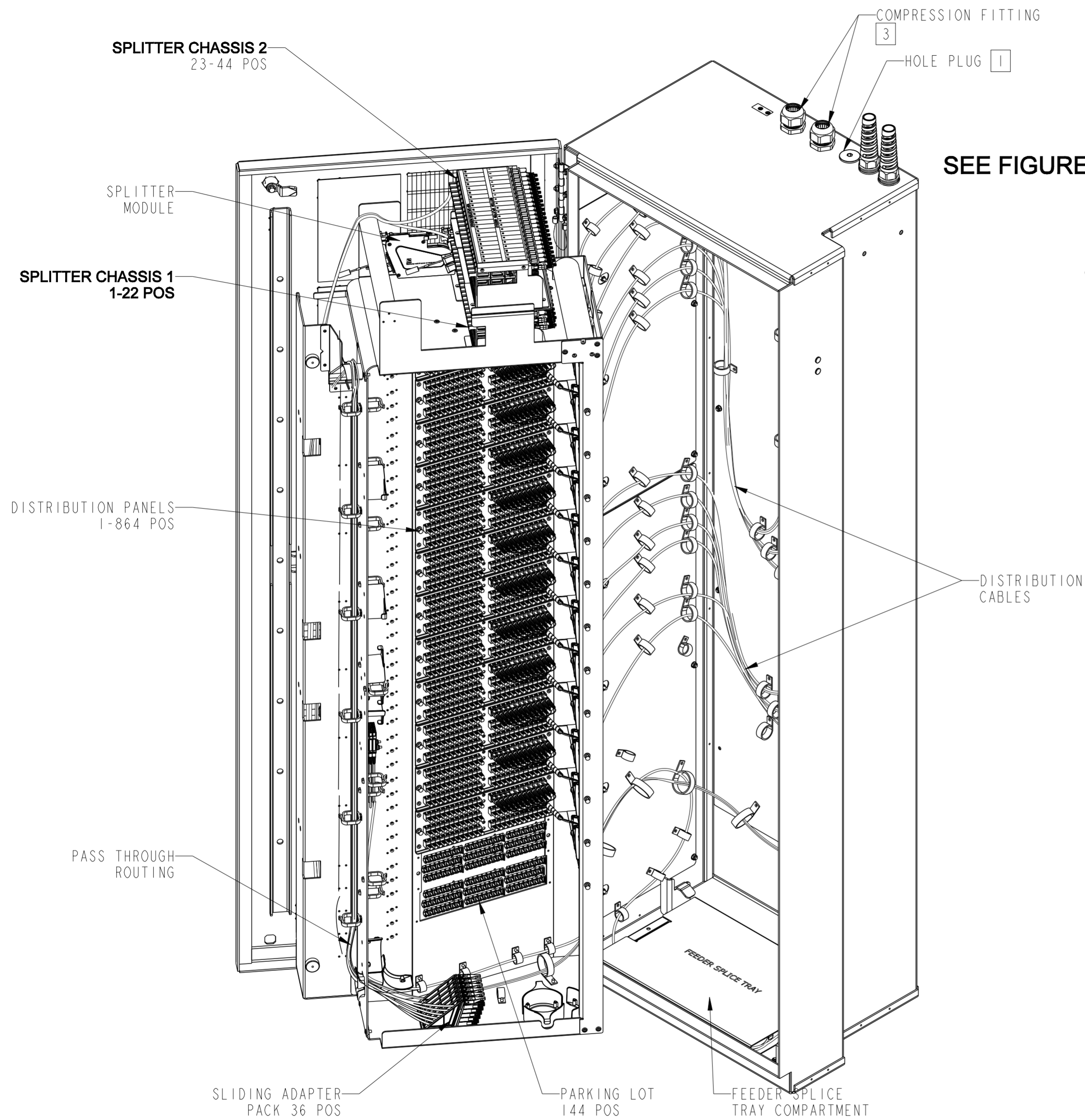
- 1 REMOVE THE PLASTIC CAP AND RETAINING NUT FROM THE FEEDER CABLE ENTRY HOLE. SAVE THE RETAINING NUT FOR REUSE
- 2 USE THE SPIRAL COMPRESSION FITTING AND O-RING PROVIDED AS WELL AS THE RETAINING NUT REMOVED ON STEP 1, TO INSTALL FEEDER CABLE.
- 3 COMPRESSION FITTINGS ARE SHOWING WITHOUT HEATSHRINK SLEEVES FOR REFERENCE ONLY
- 4 EXTERNAL PATCH CORDS CAN BE SECURED WITH TIE PROVIDED AS AN ACCESSORY.



MATERIAL	QUANTITY
IFDH 864 CABINET WITH (2) 432 FIBERS OFNR DISTRIBUTION CABLE (CABLE DEPENDING ON THE CATALOG ORDERED)	1
7' SEISMIC RACK	1
GROUNDING CABLE	1
1x32 SPLITTER (QUANTITY DEPENDING ON THE CATALOG ORDERED)	2
PLASTIC CLAMP KIT	1
SPIRAL COMPRESSION FITTING	3
O-RING	3
SPACER	3

COMMSCOPE, INC.			
DRAFTER ALAN GARCIA	TITLE IFDH 864 POS CAB, INSTALLATION DRAWING		
ENGINEER ALAN GARCIA	SIZE A2	SCALE 0.053	DOCUMENT NO. 300100110577
CUSTOMER DRAWING			REVISION F
			SHEET 1 OF 6

STUB OPTION



SEE FIGURE 1

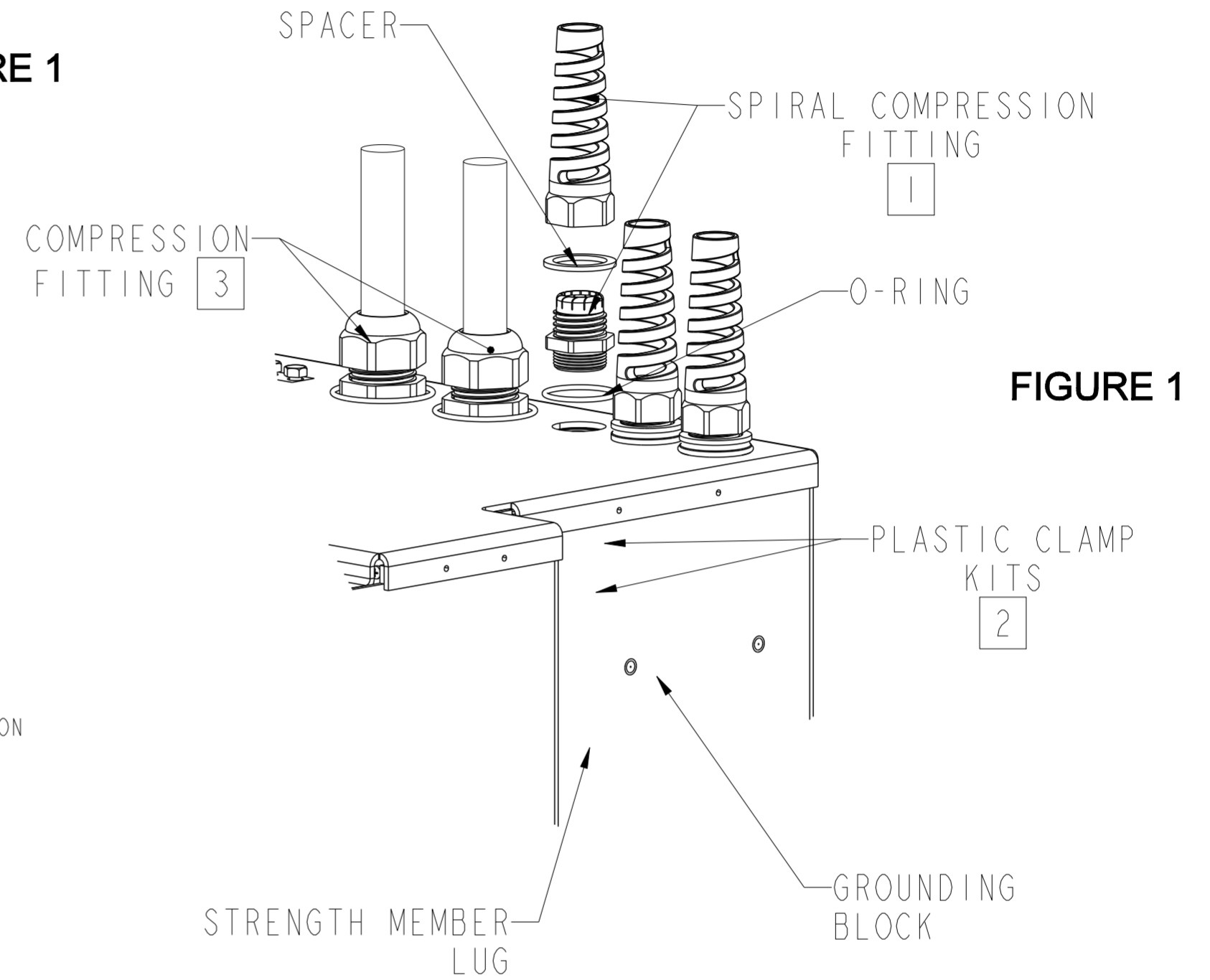


FIGURE 1

FEEDER PORT ASSIGNMENTS		
FEEDER FIBER #	CABINET PORTS	LOCATION
1-22	1-22	TOP ROW SPLITTER CHASSIS 1
23-44	23-44	TOP ROW SPLITTER CHASSIS 2
45-80	45-80	PATCH PANEL
81-96	29-44	BOTTOM ROW SPLITTER CHASSIS 2

COMMSCOPE, INC.			
DRAFTER	ALAN GARCIA	TITLE	IFDH 864 POS CAB, INSTALLATION DRAWING
ENGINEER	ALAN GARCIA	SIZE	A2
		SCALE	0.042
		DOCUMENT NO.	300100110577
CUSTOMER DRAWING			REVISION SHEET F 2 OF 6

SPLICE OPTION

SPLITTER CHASSIS 2
23-44 POS

SPLITTER
MODULE

SPLITTER CHASSIS 1
1-22 POS

DISTRIBUTION PANELS
1-864 POS

SEE FIGURE 2

DISTRIBUTION SPLICE TRAYS

SPACER

COMPRESSION
FITTING 3

SPIRAL COMPRESSION
FITTING 1

O-RING

PASS THROUGH
ROUTING

SLIDING ADAPTER
PACK 36 POS

PARKING LOT
144 POS

FEEDER SPLICE
TRAY COMPARTMENT

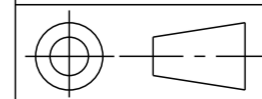
SEE FIGURE 2

PLASTIC CLAMP
KITS 2

STRENGTH MEMBER
LUG

GROUNDING
BLOCK

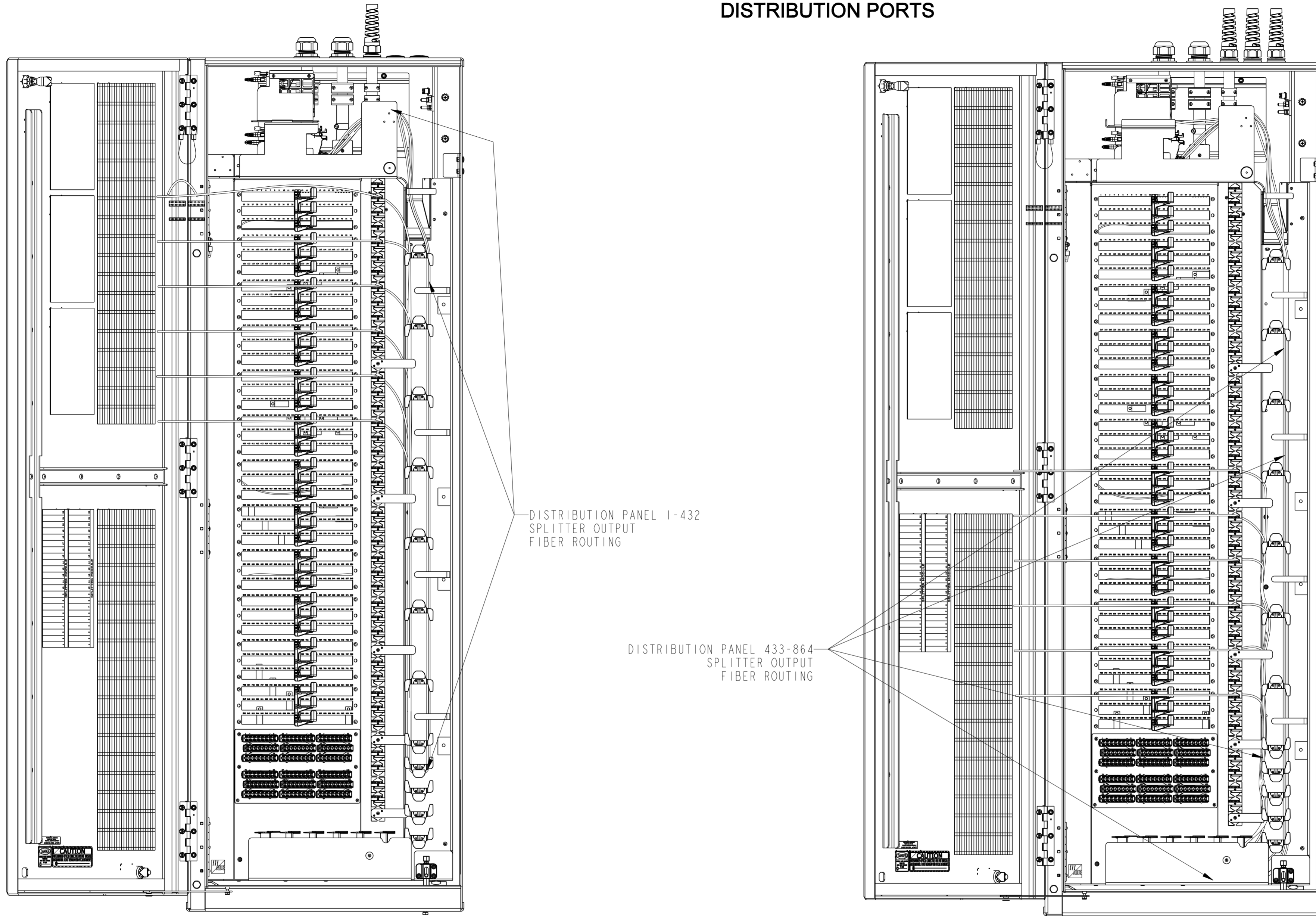
COMMSCOPE, INC.			
DRAFTER	ALAN GARCIA	TITLE	IFDH 864 POS CAB, INSTALLATION DRAWING
ENGINEER	ALAN GARCIA	SIZE	A2
		SCALE	0.042
		DOCUMENT NO.	300100110577
CUSTOMER DRAWING			REVISION SHEET F 3 OF 6



CUSTOMER DRAWING

REVISION SHEET
F 3 OF 6

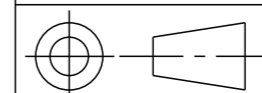
SPLITTER OUTPUT FIBER ROUTING DISTRIBUTION PORTS



DISTRIBUTION PANEL 1-432
SPLITTER OUTPUT
FIBER ROUTING

DISTRIBUTION PANEL 433-864
SPLITTER OUTPUT
FIBER ROUTING

COMMSCOPE, INC.			
DRAFTER	ALAN GARCIA	TITLE	IFDH 864 POS CAB, INSTALLATION DRAWING
ENGINEER	ALAN GARCIA	SIZE	SCALE
		A2	0.037
		DOCUMENT NO.	300100110577
CUSTOMER DRAWING			REVISION SHEET
			F 4 OF 6



H

G

F

E

D

C

B

A

10

9

8

7

6

5

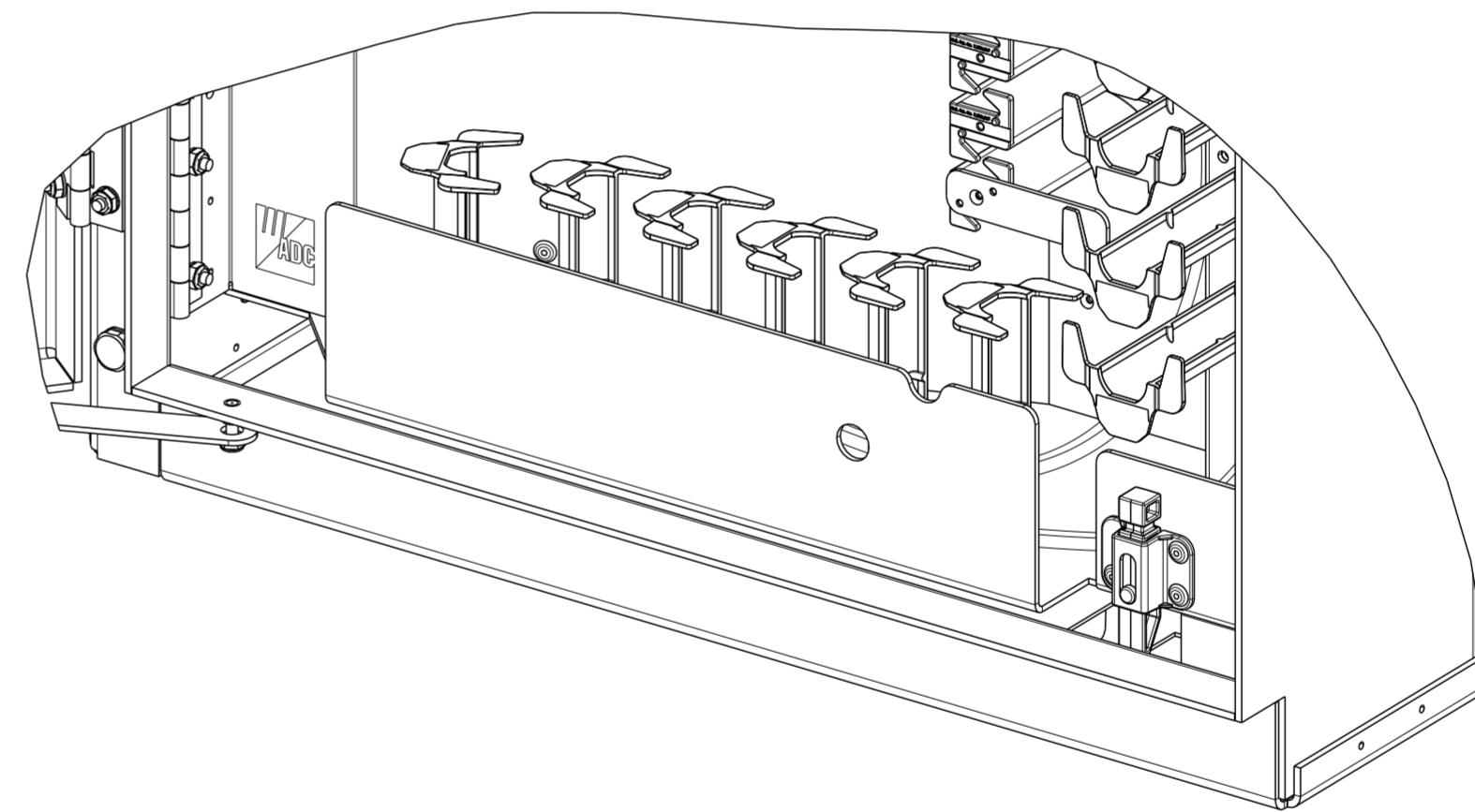
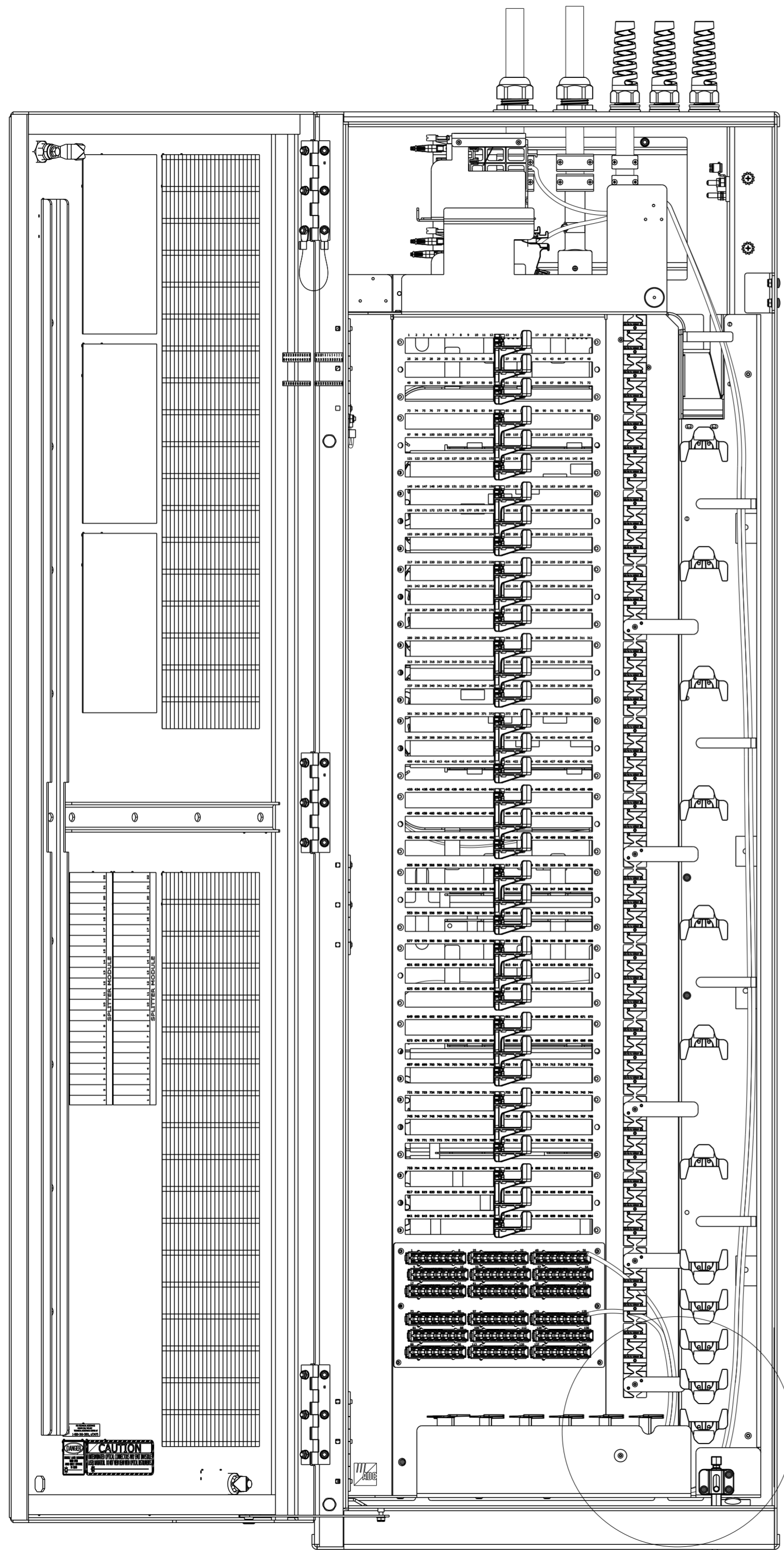
4

3

2

1

SPLITTER OUTPUT FIBER ROUTING PARKING LOT



DETAIL A
THE BOTTOM OF THE SWINGFRAME
IS TRANSPARENT FOR REFERENCE

SEE **DETAIL A**
FOR BOTTOM ROUTING

COMMSCOPE, INC.			
DRAFTER ALAN GARCIA	TITLE IFDH 864 POS CAB, INSTALLATION DRAWING		
ENGINEER ALAN GARCIA	SIZE A2	SCALE 0.037	DOCUMENT NO. 300100110577
CUSTOMER DRAWING			REVISION F
			SHEET 5 OF 6

EXTERNAL PATCH CORD INSTALLATION

SEE FIGURE 4

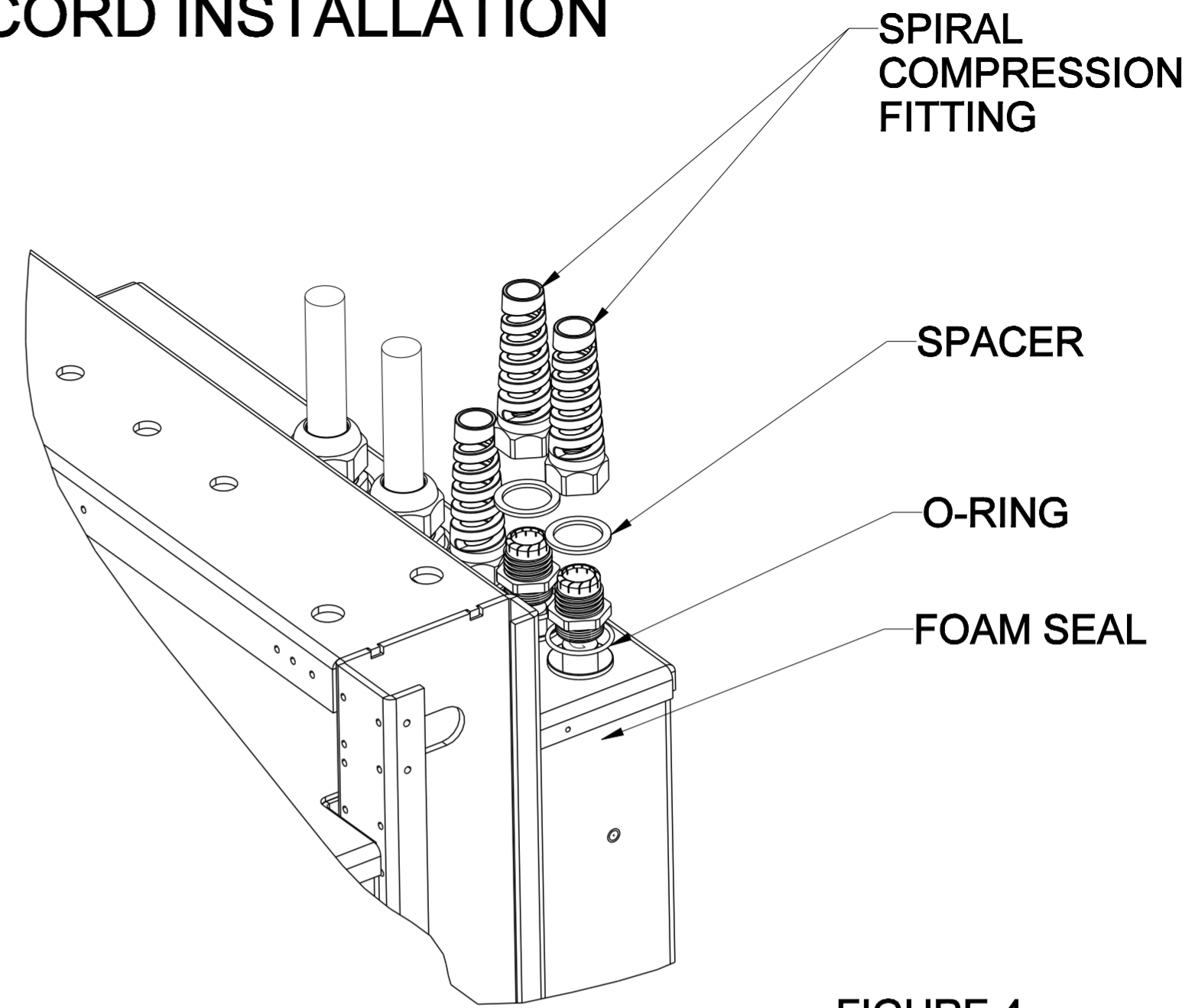
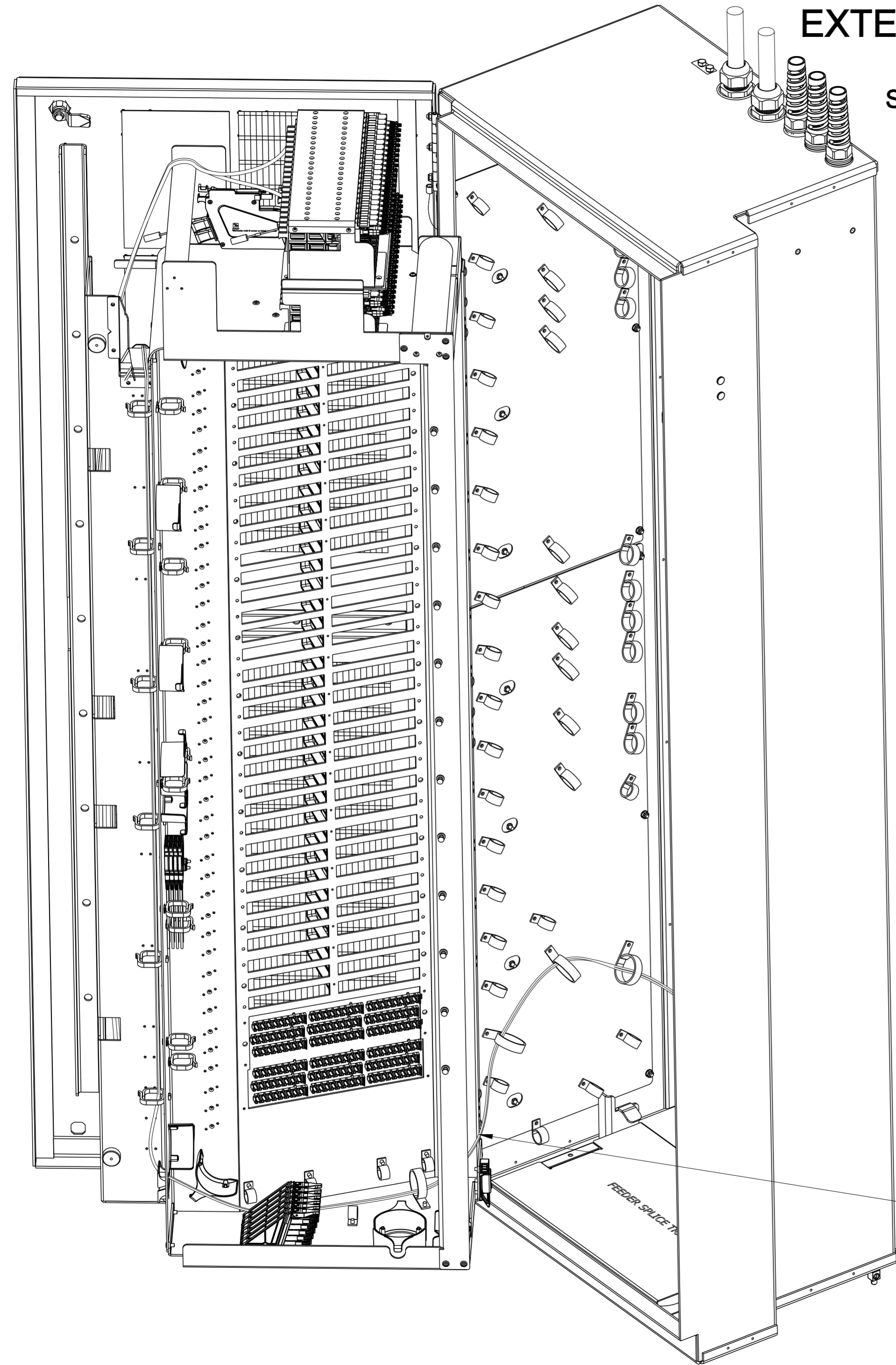


FIGURE 4

COMMSCOPE, INC.			
DRAFTER ALAN GARCIA	TITLE 864 POS IFDH, CAB, INSTALLATION DRW		
ENGINEER ALAN GARCIA	SIZE A2	SCALE 0.037	DOCUMENT NO. 300100110577
CUSTOMER DRAWING			REVISION SHEET F 6 OF 6

4

FEEDER SPLICE TR