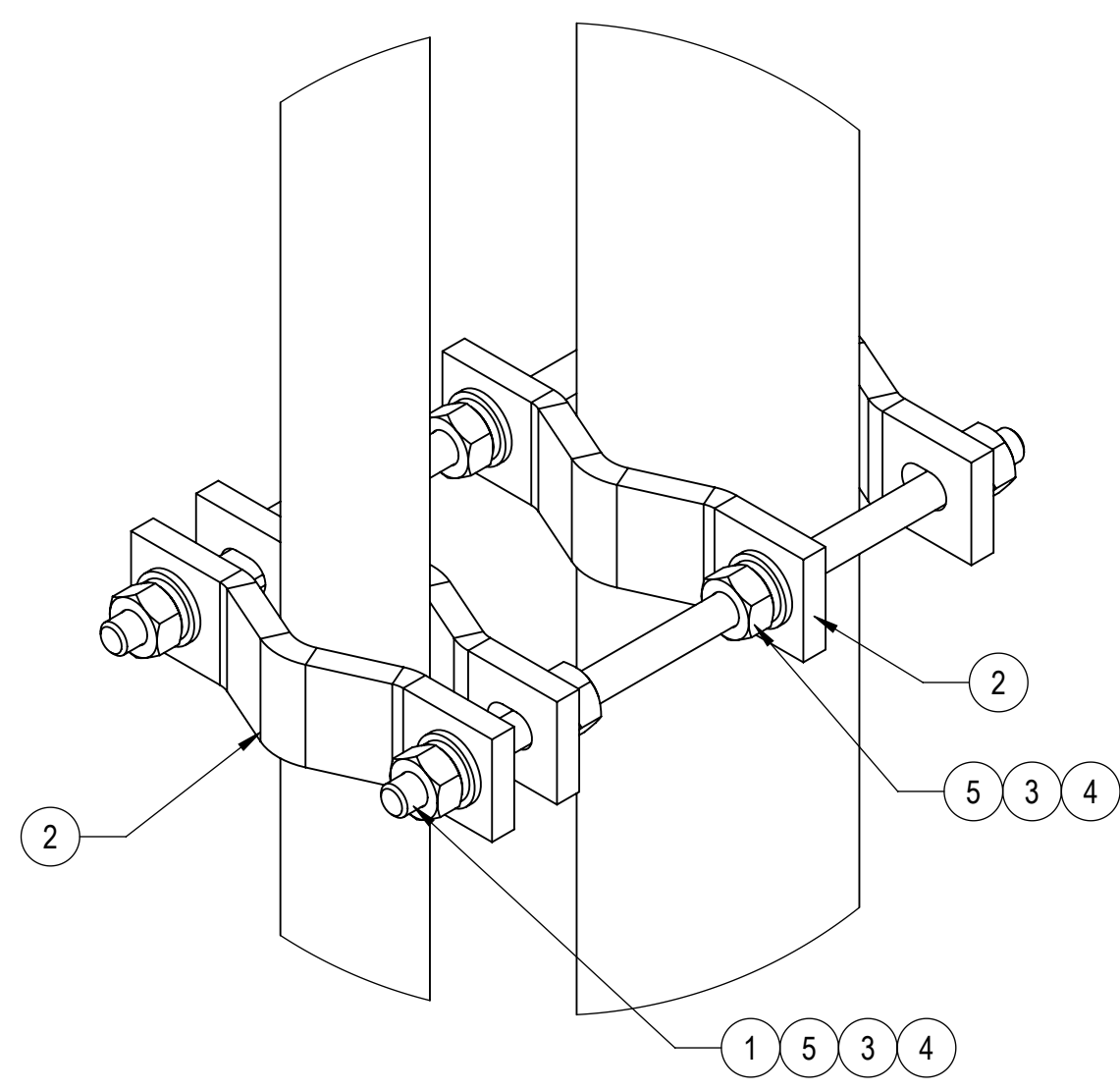
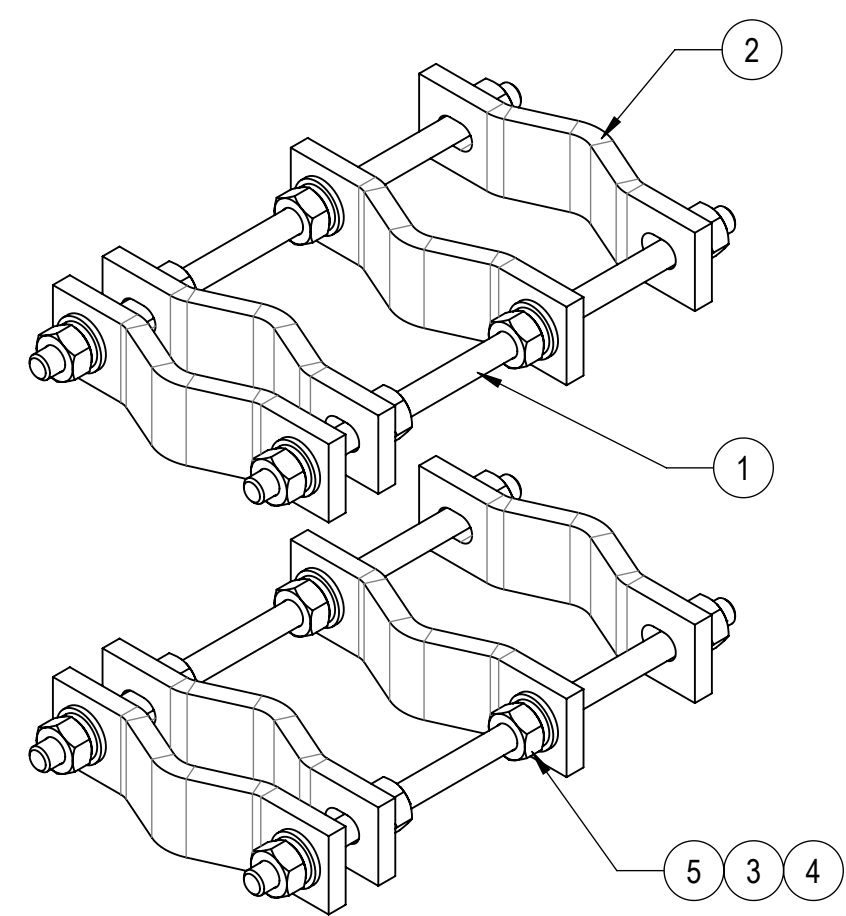
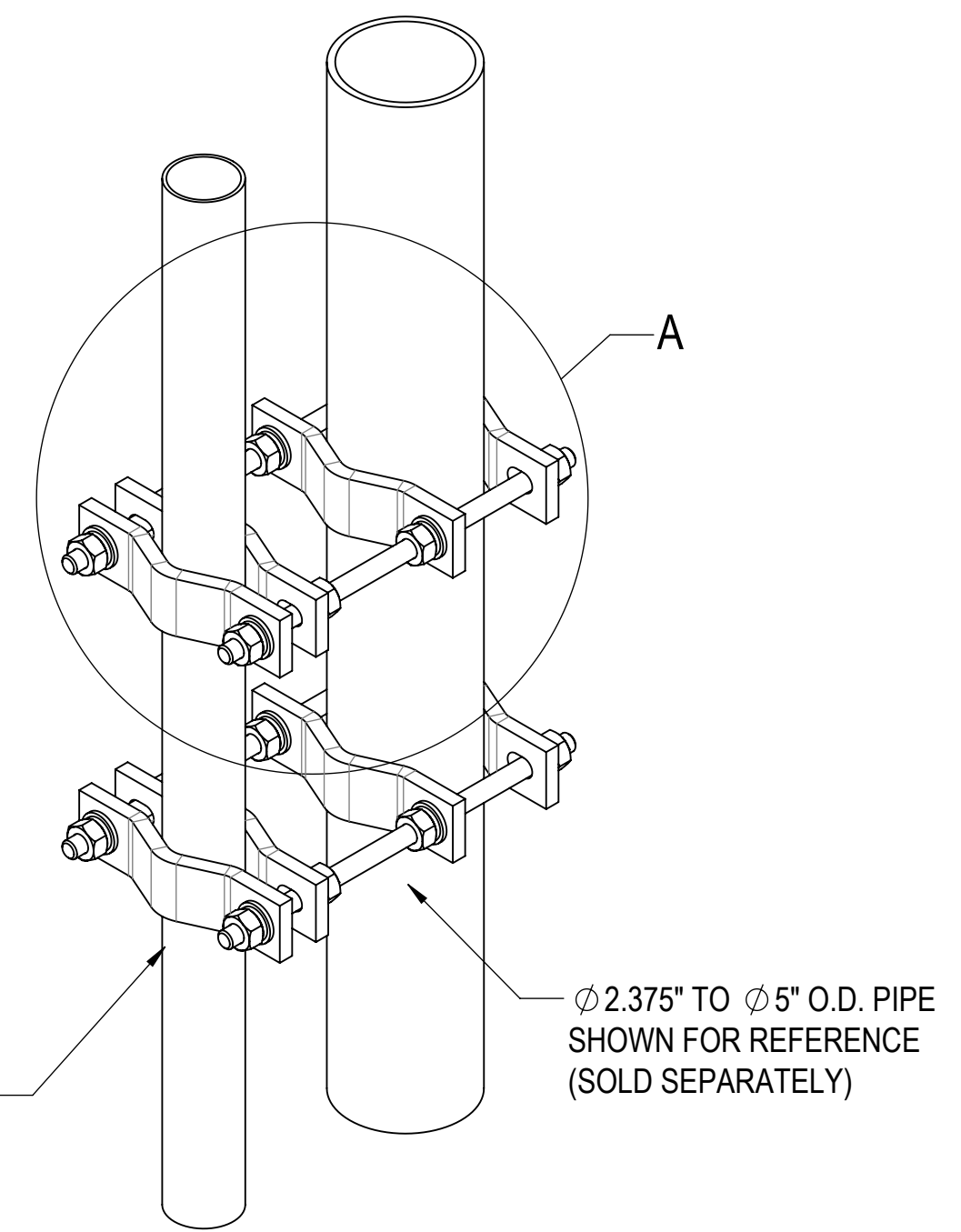
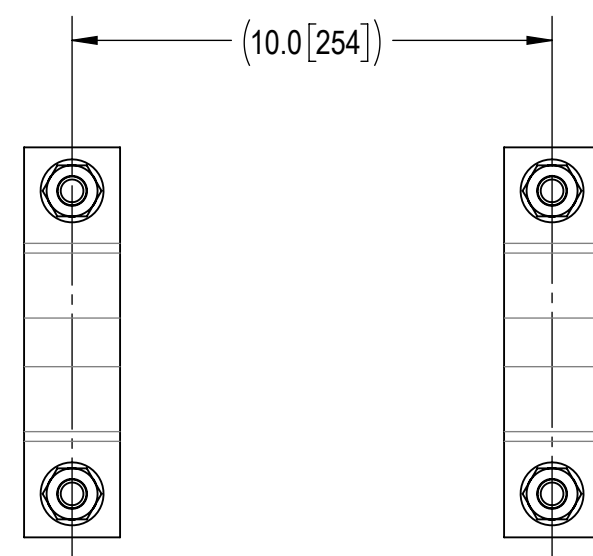
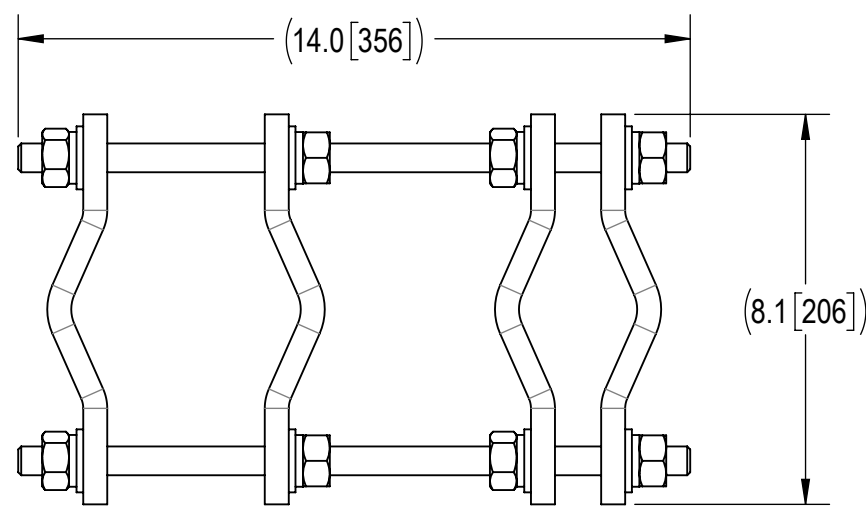


- 1.0 GENERAL NOTES  
 1.1 ALL METRIC DIMENSIONS ARE IN BRACKETS [X. X]  
 1.2 FOR PATENT INFO: <https://www.cs-pat.com>
- 2.0 DESIGN NOTES  
 2.1 ANY HAZARDS OR OBSTRUCTIONS TO THE CLIMBING FACILITY AND SAFETY CLIMB MUST BE IDENTIFIED PRIOR TO INSTALLING THE APPURTENANCE. ADDITIONAL PRODUCTS MAY BE REQUIRED TO MAINTAIN THE INTEGRITY OF THE SAFETY CLIMB. DURING INSTALLATION, TEMPORARY AND/OR PERMANENT PRECAUTIONARY MEASURES SHOULD BE TAKEN TO PRESERVE THE CLIMBING FACILITY AND/OR SAFETY CLIMB.
- 3.0 MANUFACTURING/SPECIAL REQUIREMENTS  
 3.1 TIGHTEN ALL BOLTS SECURING FLAT PLATES BY THE TURN-OF-NUT METHOD. TIGHTEN ALL U-BOLTS USING TURN-OF-NUT METHOD WITH ATTENTION TO LEAVE EQUAL DISTANCE AND EQUAL FORCE ON EACH LEG OF THE U-BOLT.
- 4.0 TEST
- 5.0 PACKAGING  
 5.1 PACKAGING SHALL MEET COMMSCOPE REQUIREMENTS PER DOCUMENT IS-PL-3005  
 5.2 PRINTED DOCUMENT TO BE PLACED INSIDE POLYBAG AND THEN IN SHIPPING CONTAINER  
 5.3 EXTRA HARDWARE MAY BE SUPPLIED, BAGGED AND SHIPPED

REVISIONS			
REV.	DESCRIPTION	DATE	APPROVED
A	INITIAL RELEASE	MLO 05AUG99	TP
B	REDRAWN & REVISED	DMW 25APR01	TP
C	UPDATED DRAWING FORMAT	LL1090 18JUL24	BA1025 40200499CMO



DETAIL A  
SCALE 1 : 3

Ø 2.375" TO Ø 5" O.D. PIPE  
SHOWN FOR REFERENCE  
(SOLD SEPARATELY)

Ø 2.375" TO Ø 5" O.D. PIPE  
SHOWN FOR REFERENCE  
(SOLD SEPARATELY)

COMMSCOPE, INC. OF NORTH CAROLINA									
TOLERANCES					SAP MATERIAL MASTER				
1 PLACE .X[X] ± 0.06[1.5]			3 PLACE .XXX[X] ± 0.010[0.3]		BC-35-14				
2 PLACE .XX[X] ± 0.03[0.8]			ANGLES ± 2°						
FINISH					MATERIAL				
UNLESS OTHERWISE SPECIFIED DIMENSIONS ARE IN INCHES INTERPRET PER ANSI Y 14.5M-1994	NAME	DATE	TITLE						
	CE MLO	05AUG99	PIPE TO PIPE CLAMP						
	RW LL1090	07/22/2024							
	AD YMENG	07/22/2024							
	RE YMENG	07/22/2024							
ECN 40200499CMO			SCALE	DOCUMENT NO.					
			1:4	BC-35-14					
SIZE	Auth Group	INSL	MODEL			DRAWING			
C			VERSION	STATUS	REVISION	VERSION	STATUS	REVISION	SHEET
			00	RE	B	01	RE	C	1 OF 1

COMPONENT PART NUMBERS PROVIDED FOR ASSEMBLY PURPOSES;  
INDIVIDUAL COMPONENTS MAY BE SHIPPED AS PARTS WITHIN AN INCLUDED KIT.

ITEM NO.	PART NUMBER	DESCRIPTION	QTY.	WEIGHT	NOTE NO.
1	MT-382-14	5/8" X 14" THREADED ROD	4	1.12 LBS	
2	DCP10	CLAMP HALF: 1/2", 11/16" HOLE, 5-3/4"	8	2.21 LBS	
3	GWL-05	5/8" GALV LOCK WASHER	16	0.03 LBS	
4	GWFO5A	GALV FLAT WASHER HARDENED 5/8", 1.30D	16	0.04 LBS	
5	GN-05A	5/8" GALV HEX NUT (A194 2H)	16	0.12 LBS	

DENSITY	25.07	lbs/in <sup>3</sup>
MASS	25.07	lbs
VOLUME	88.77	in <sup>3</sup>
SURFACE AREA	610.74	in <sup>2</sup>
HEIGHT	12.0"	
LENGTH	14.0"	
WIDTH	8.1"	