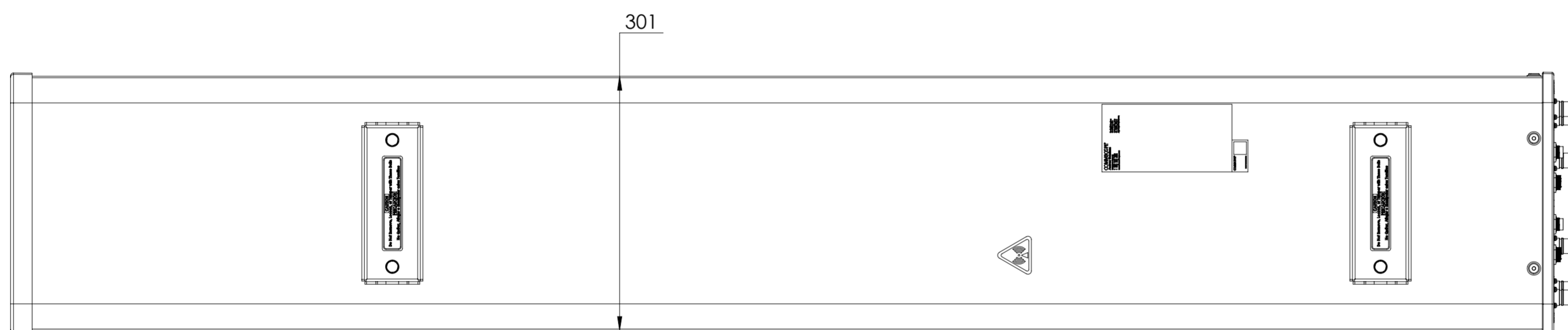
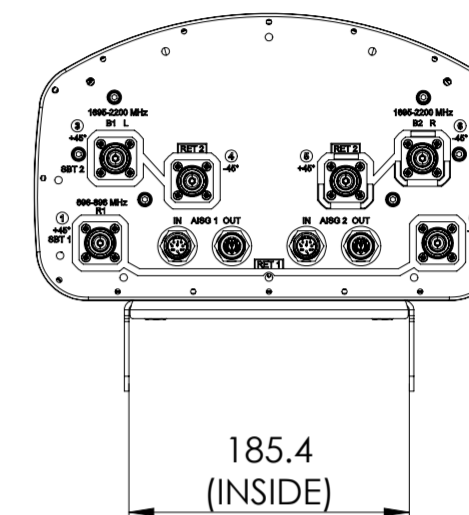
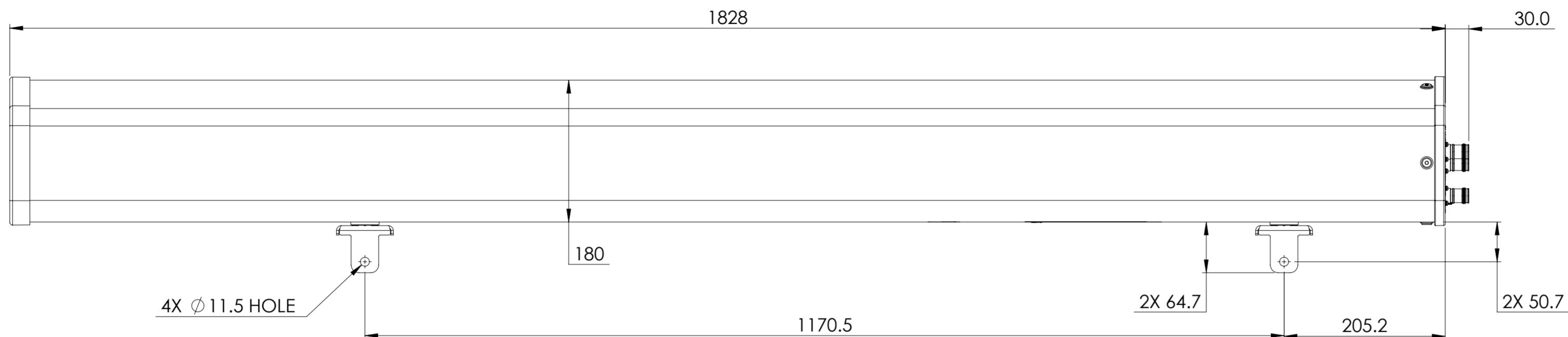


REVISIONS			
REV.	DESCRIPTION	DATE	APPROVED
A	ECR 40185893CMO: RELEASE TO PRODUCTION PER EAO 612901.	04MAR24 RL	MG/UK



NHH-65B-HG-R2B

<b>COMMSCOPE, INC. OF NORTH CAROLINA</b>												
TOLERANCES						SAP MATERIAL MASTER						
0 PLACE X ±		2 PLACE .XX ±										
1 PLACE .X ±		ANGLES ±										
FINISH N/A						MATERIAL N/A						
UNLESS OTHERWISE SPECIFIED DIMENSIONS ARE IN MILLIMETERS INTERPRET PER ISO STANDARDS HANDBOOK TECHNICAL DRAWINGS VOLUMES 1 & 2, THIRD EDITION (2002)			NAME		DATE		TITLE					
			CE RL1090		03/04/2024		<b>PRODUCT DRAWING</b>					
			RW									
			AD				SCALE		DOCUMENT NO.			
			RE				1:5		NHH-65B-HG-R2B-L			
ECN 40185893CMO												
SIZE		Auth Group		BSA		MODEL		DRAWING				
A2						VERSION		STATUS		REVISION		SHEET
						00		RE		A		1 OF 1
								00		RE		A

DENSITY	g/mm <sup>3</sup>
MASS	grams
VOLUME	mm <sup>3</sup>
SURFACE AREA	mm <sup>2</sup>
HEIGHT	
LENGTH	
WIDTH	