

4

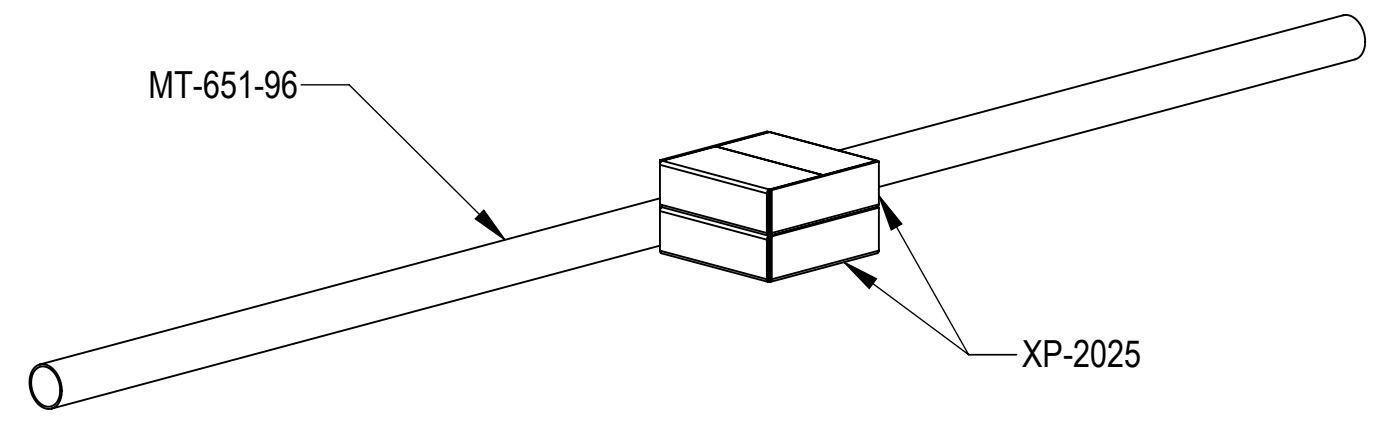
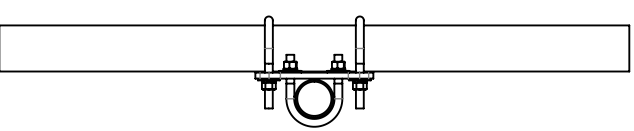
3

2

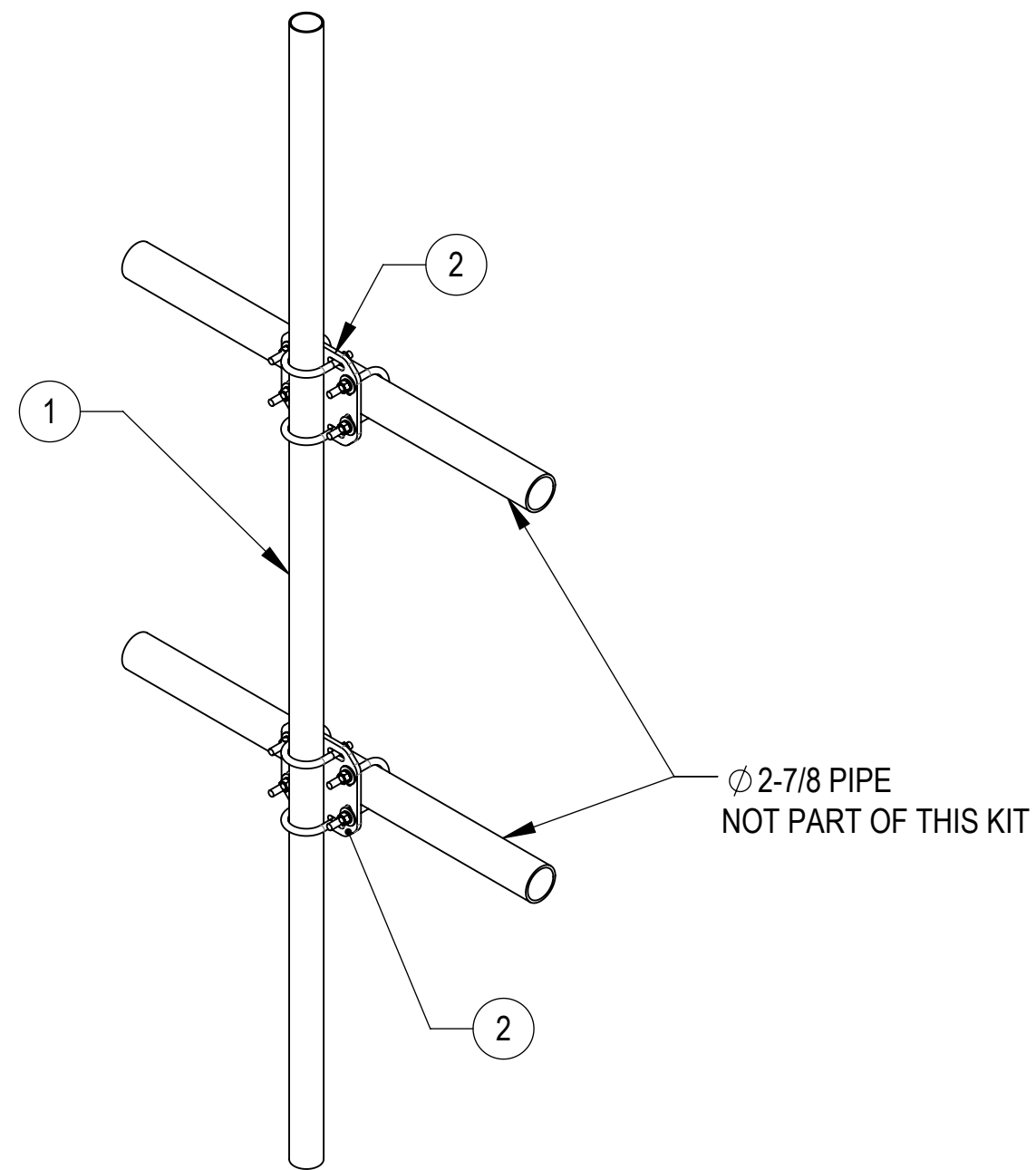
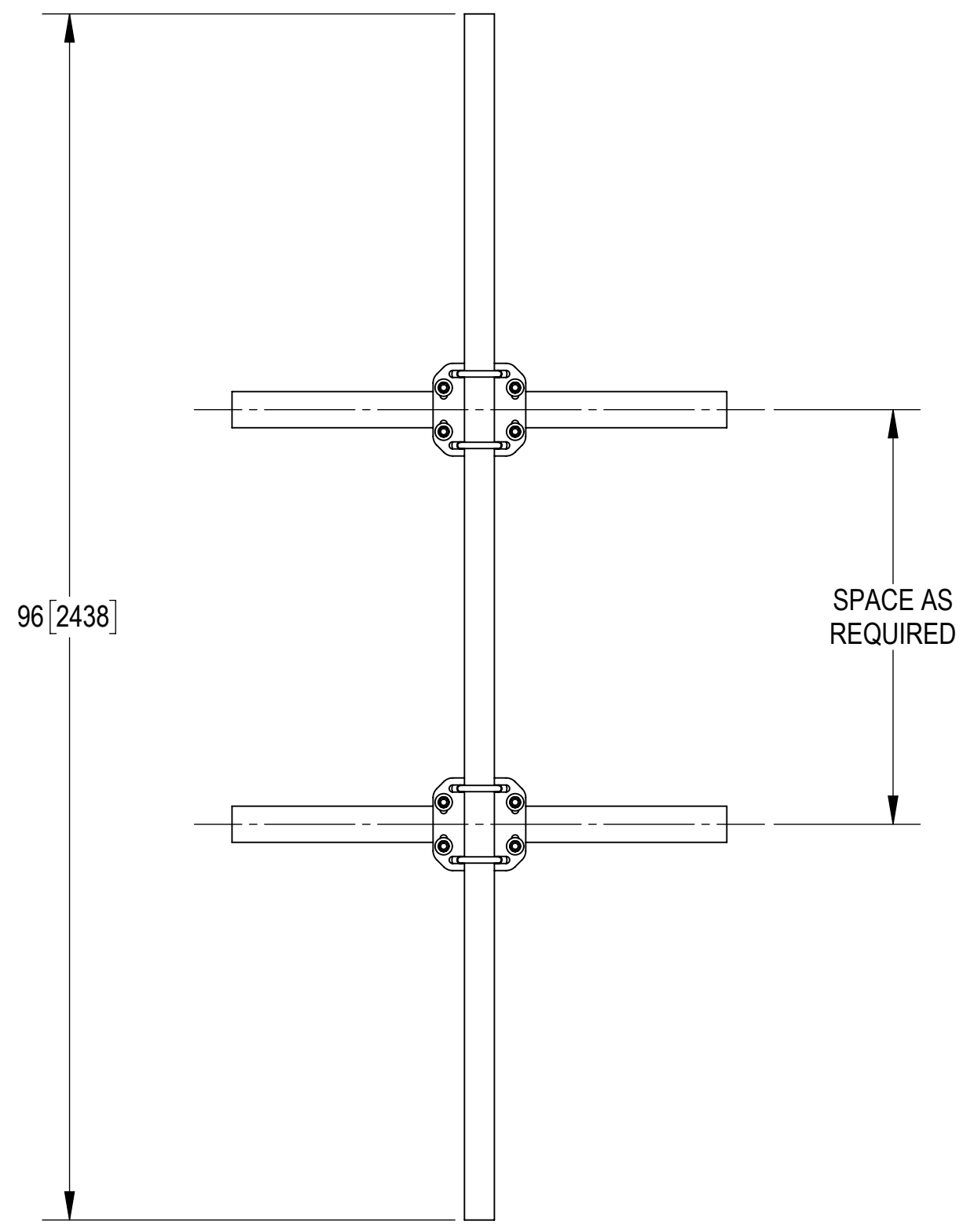
1

- 1.0 GENERAL NOTES
 1.1 ALL METRIC DIMENSIONS ARE IN BRACKETS [X. X]
 1.2 FOR PATENT INFO: <https://www.cs-pat.com>
 2.0 DESIGN NOTES
 3.0 MANUFACTURING/SPECIAL REQUIREMENTS
 3.1 TIGHTEN ALL BOLTS SECURING FLAT PLATES BY THE TURN-OF-NUT METHOD. TIGHTEN ALL U-BOLTS USING TURN-OF-NUT METHOD WITH ATTENTION TO LEAVE EQUAL DISTANCE AND EQUAL FORCE ON EACH LEG OF THE U-BOLT.
 4.0 TEST
 5.0 PACKAGING
 5.1 PACKAGING SHALL MEET COMMSCOPE REQUIREMENTS PER DOCUMENT IS-PL-3005
 5.2 PRINTED DOCUMENT TO BE PLACED INSIDE POLYBAG AND THEN IN SHIPPING CONTAINER
 5.3 EXTRA HARDWARE MAY BE SUPPLIED, BAGGED AND SHIPPED

REVISIONS			
REV.	DESCRIPTION	DATE	APPROVED
A	INITIAL RELEASE	YX1027 05JUN24	XK1001 40197314CMO



PACKAGING VIEW



COMMSCOPE, INC. OF NORTH CAROLINA												
TOLERANCES						SAP MATERIAL MASTER						
1 PLACE .X[X] ± 0.2[6.3]			3 PLACE .XXX[X] ± 0.060[1.5]			SF-PK-278-238						
2 PLACE .XX[X] ± 0.12[3.0]			ANGLES ± 2°									
FINISH						MATERIAL						
UNLESS OTHERWISE SPECIFIED DIMENSIONS ARE IN INCHES INTERPRET PER ANSI Y 14.5M-1994	NAME		DATE		TITLE							
	CE YX1027		05JUN24		PIPE MNT, 2-7/8" CO, 2-3/8" X 96" PIPE							
	RW YX1027		06/07/2024									
	AD XK1001		06/07/2024									
	RE YMENG		06/12/2024									
	ECN 40197314CMO					SCALE		DOCUMENT NO.				
					1:10		SF-PK-278-238					
SIZE		Auth Group		INSL		MODEL			DRAWING			SHEET 1 OF 1
C		[Symbol]		[Symbol]		VERSION STATUS REVISION			VERSION STATUS REVISION			
						00 RE A			00 RE A			

DENSITY		lbs/in ³
MASS	77.09	lbs
VOLUME	271.49	in ³
SURFACE AREA	3177.36	in ²
HEIGHT	96"	
LENGTH	7.38"	
WIDTH	6.90"	

4

3

2

1