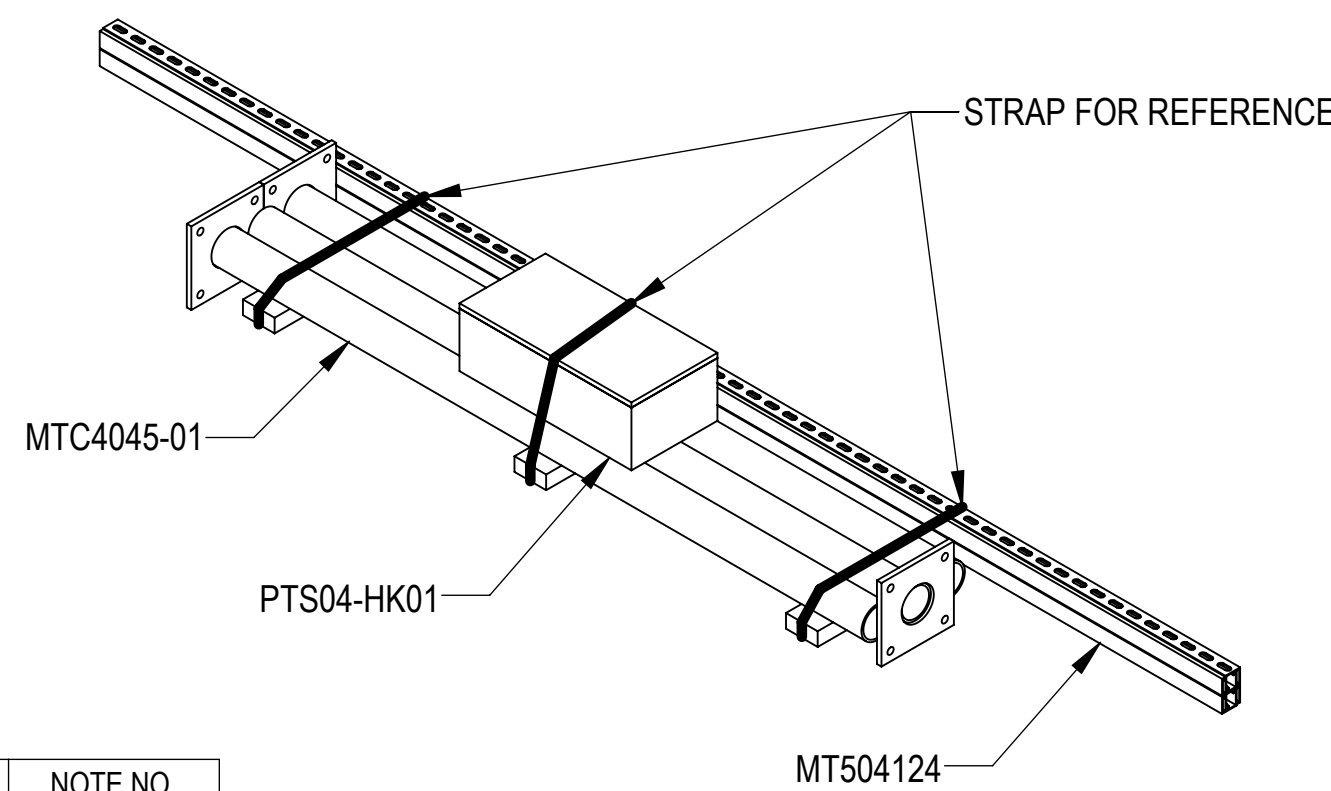
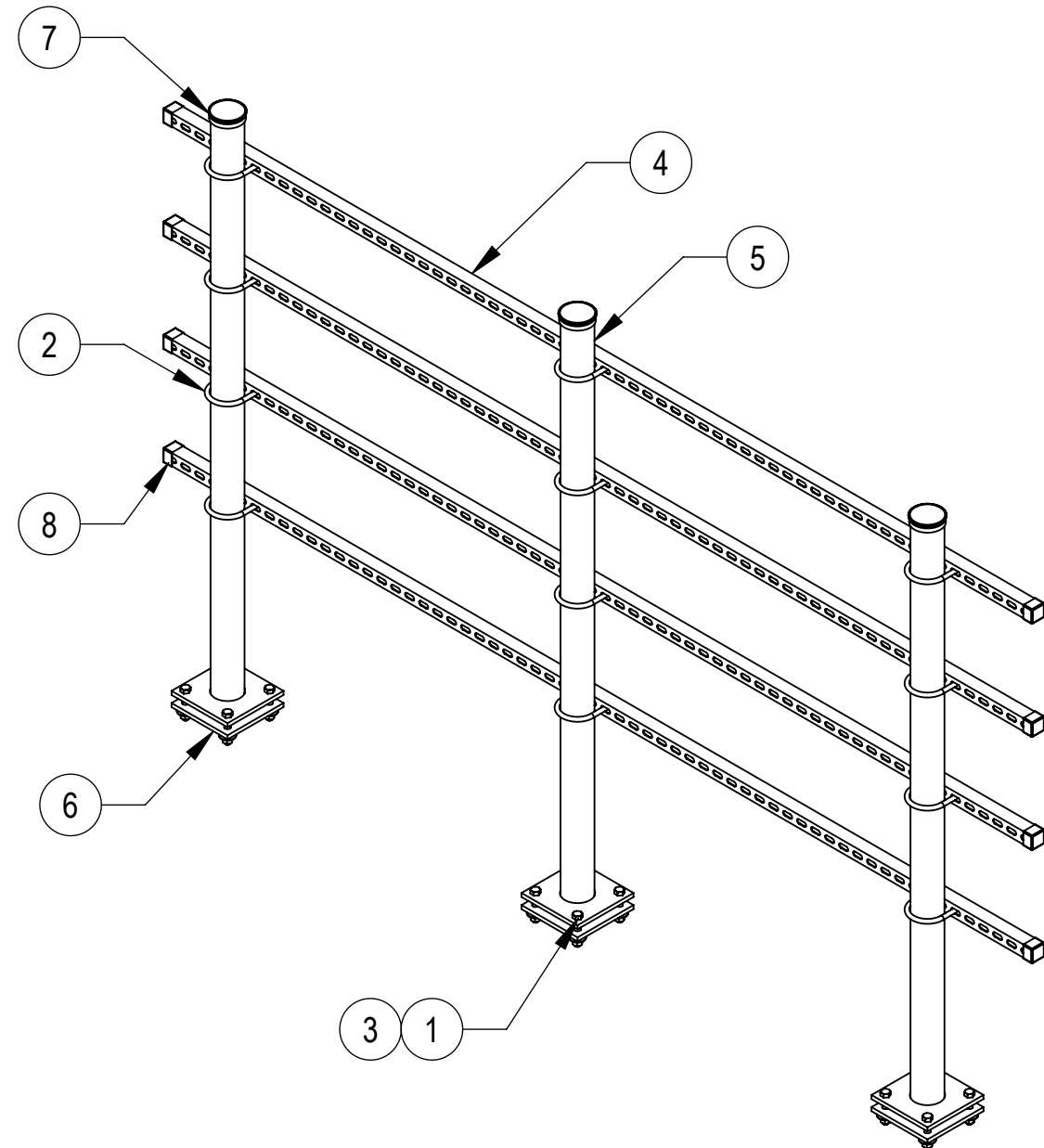
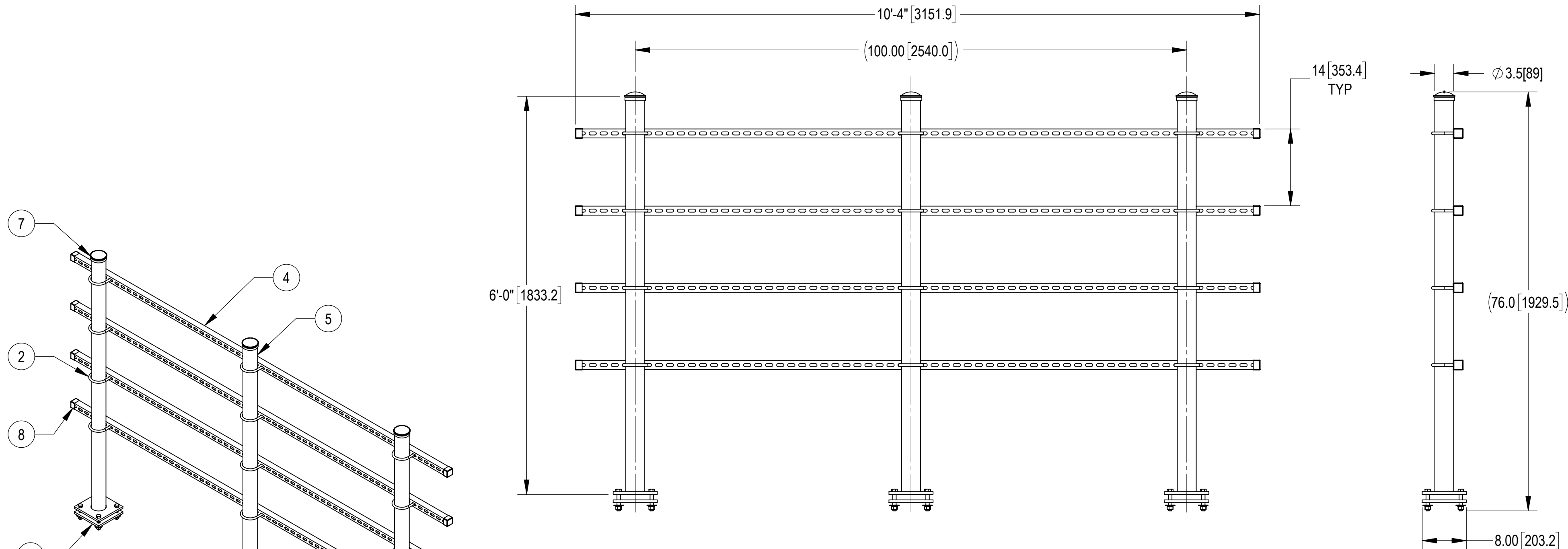


- 1.0 GENERAL NOTES
 - 1.1 ALL METRIC DIMENSIONS ARE IN BRACKETS [X. X]
 - 1.2 FOR PATENT INFO: <https://www.cs-pat.com>
- 2.0 DESIGN NOTES
- 3.0 MANUFACTURING/SPECIAL REQUIREMENTS
 - 3.1 TIGHTEN ALL BOLTS SECURING FLAT PLATES BY THE TURN-OF-NUT METHOD. TIGHTEN ALL U-BOLTS USING TURN-OF-NUT METHOD WITH ATTENTION TO LEAVE EQUAL DISTANCE AND EQUAL FORCE ON EACH LEG OF THE U-BOLT.
- 4.0 TEST
- 5.0 PACKAGING
 - 5.1 PACKAGING SHALL MEET COMMSCOPE REQUIREMENTS PER DOCUMENT IS-PL-3005
 - 5.2 PRINTED DOCUMENT TO BE PLACED INSIDE POLYBAG AND THEN IN SHIPPING CONTAINER
 - 5.3 EXTRA HARDWARE MAY BE SUPPLIED, BAGGED AND SHIPPED

REVISIONS			
REV.	DESCRIPTION	DATE	APPROVED
A	INITIAL RELEASE	LS1145 21MAY24	XK1001 40195933CMO



COMPONENT PART NUMBERS PROVIDED FOR ASSEMBLY PURPOSES;
INDIVIDUAL COMPONENTS MAY BE SHIPPED AS PARTS WITHIN AN INCLUDED KIT.

ITEM	PART NO.	DESCRIPTION	QTY.	WEIGHT	NOTE NO.
1	GB-05345	5/8" X 3-1/2" GALV BOLT KIT	12	0.39 LBS	
2	GUB-4355	1/2" X 3-5/8" X 5" GALV U-BOLT	12	0.71 LBS	
3	GW-05	5/8" GALV FLAT WASHER, 1.70D	12	0.06 LBS	
4	MT504124	UNISTRUT, SLOTTED, GALV, 1-5/8 SQ X 124	4	19.16 LBS	
5	MTC4045-01	WELDMENT, 6" PIPE	3	52.14 LBS	
6	MTC4045-12	BASE PLATE, 3" PIPE	3	7.47 LBS	
7	PC-034	PIPE CAP 3-1/2"	3	0.66 LBS	
8	PTCR01	END CAP	8	0.05 LBS	

PACKING VIEW

DENSITY		lbs/in ³
MASS	272.98	lbs
VOLUME	969.60	in ³
SURFACE AREA	11340.91	in ²
HEIGHT	76.0"	
LENGTH	124.0"	
WIDTH	8.0"	

COMMSCOPE, INC. OF NORTH CAROLINA									
TOLERANCES					SAP MATERIAL MASTER				
1 PLACE .X[X] ± 0.2[6.3]			3 PLACE .XXX[X] ± 0.060[1.5]		PT-S-0610-04				
2 PLACE .XX[X] ± 0.12[3.0]			ANGLES ± 2°						
FINISH					MATERIAL				
H-FRAME BS 6'TALL 10'WIDE 4-RUNGS									
SCALE: 1:14 DOCUMENT NO. PT-S-0610-04									
SIZE		Auth Group		INSL		MODEL		DRAWING	
C		[Symbol]		[Symbol]		VERSION		STATUS	
00		IW		A		00		RE	
		A						A	
SHEET 1 OF 2									

4

3

2

1

D

D

C

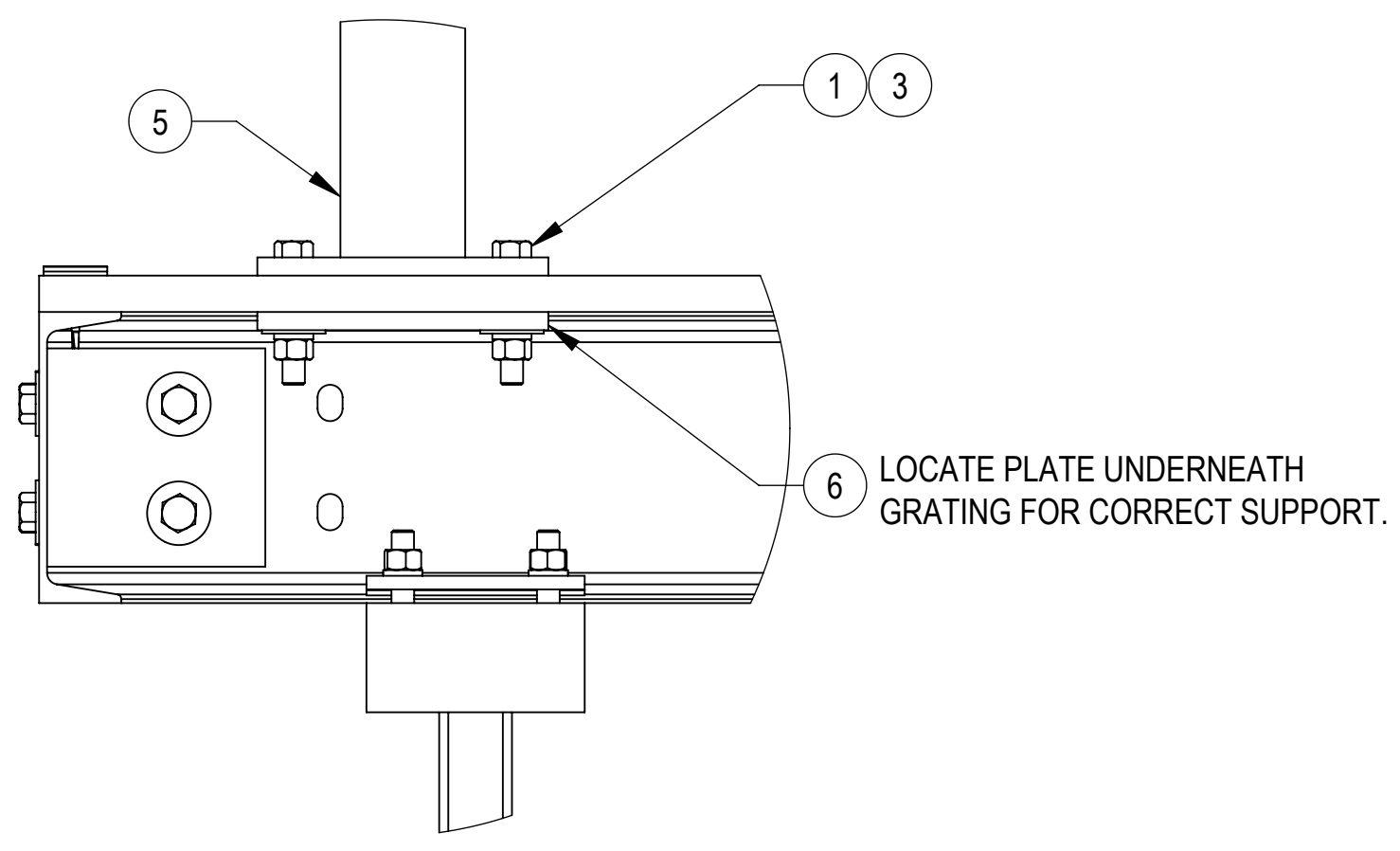
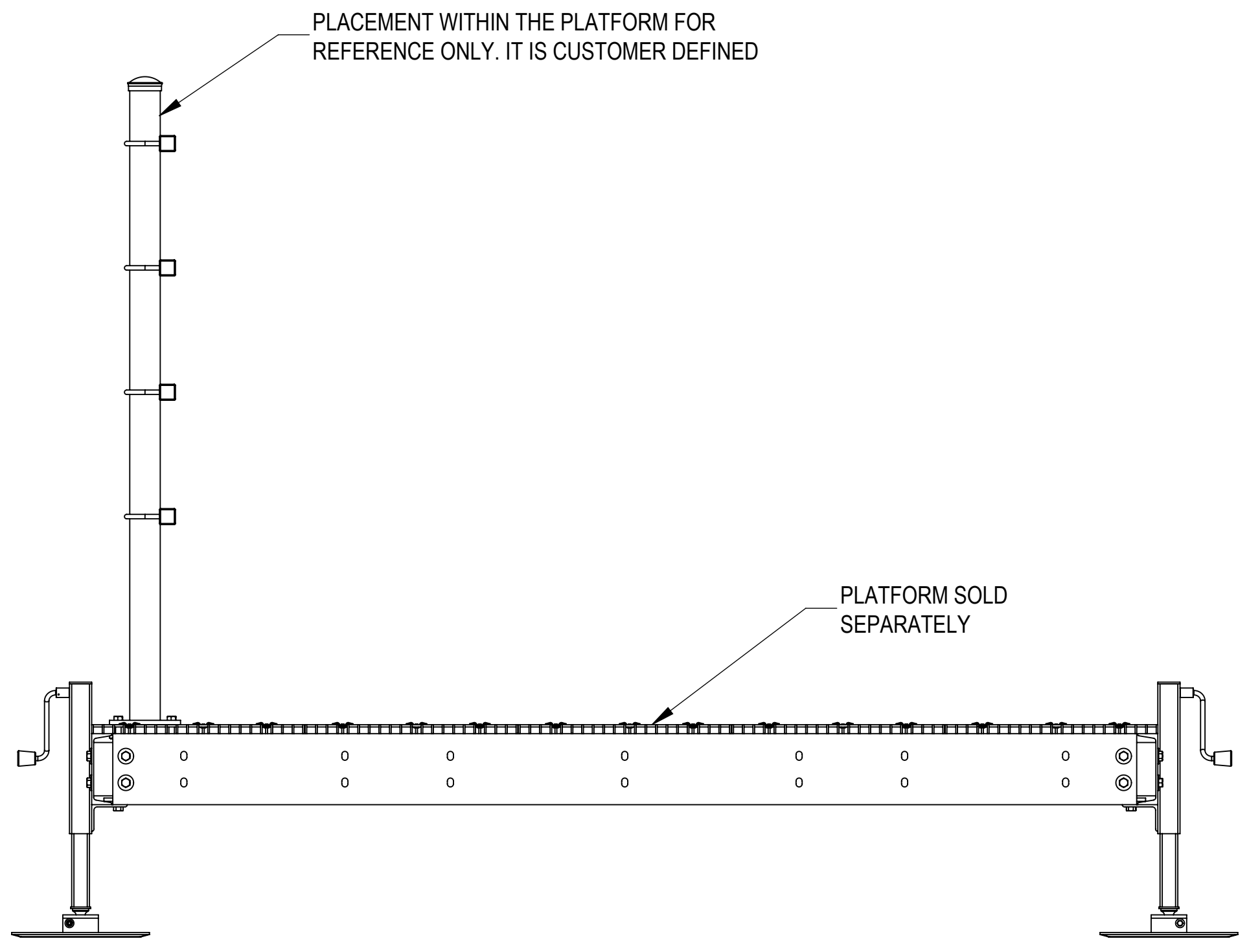
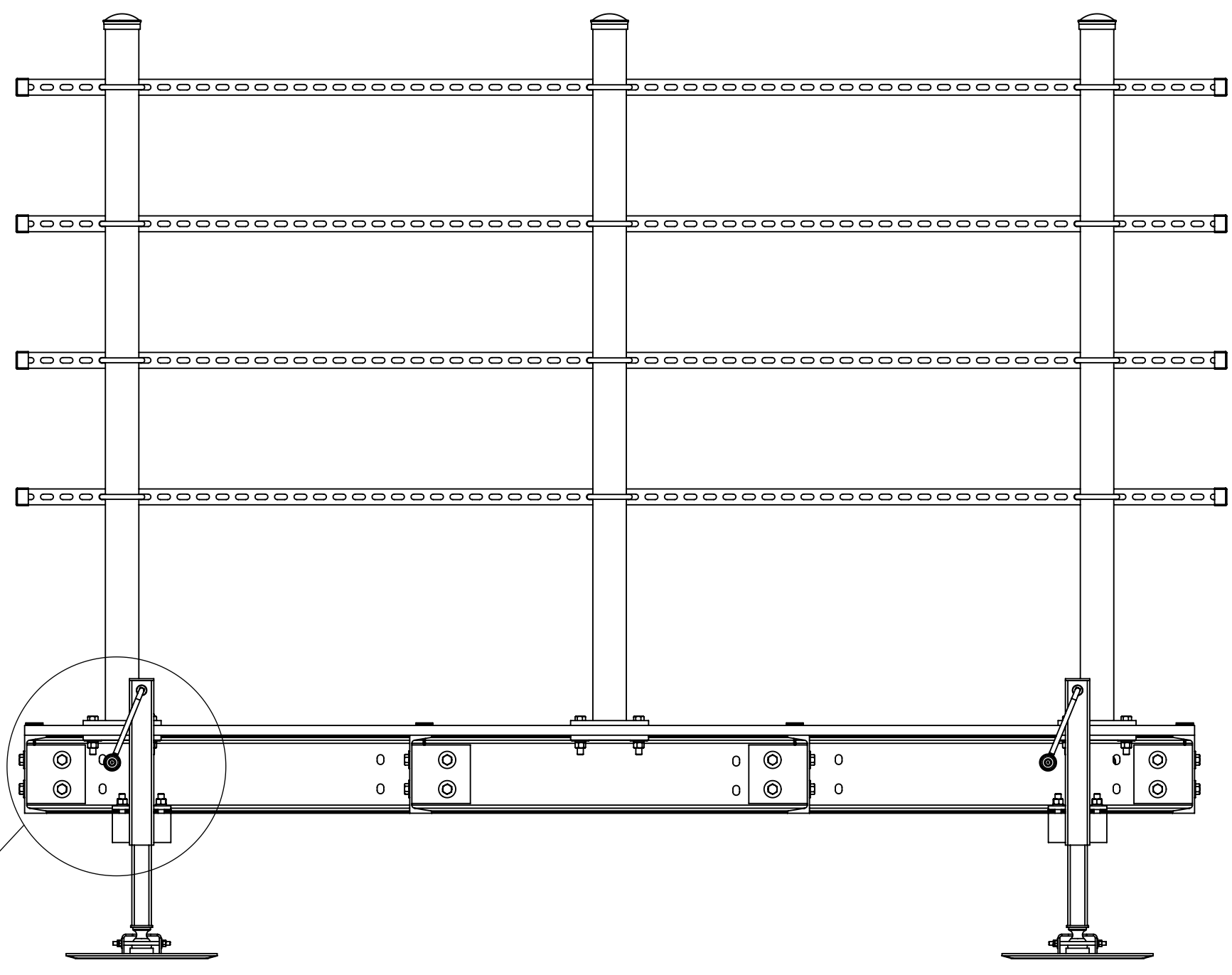
C

B


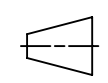
B

A

A



DETAIL A
SCALE 1 : 5

COMMSCOPE, INC. OF NORTH CAROLINA				
TITLE H-FRAME BS 6'TALL 10'WIDE 4-RUNGS				
SIZE C	SCALE 1:14	DOCUMENT NO. PT-S-0610-04		
 		DRAWING		SHEET
		VERSION 00	STATUS RE	REVISION A