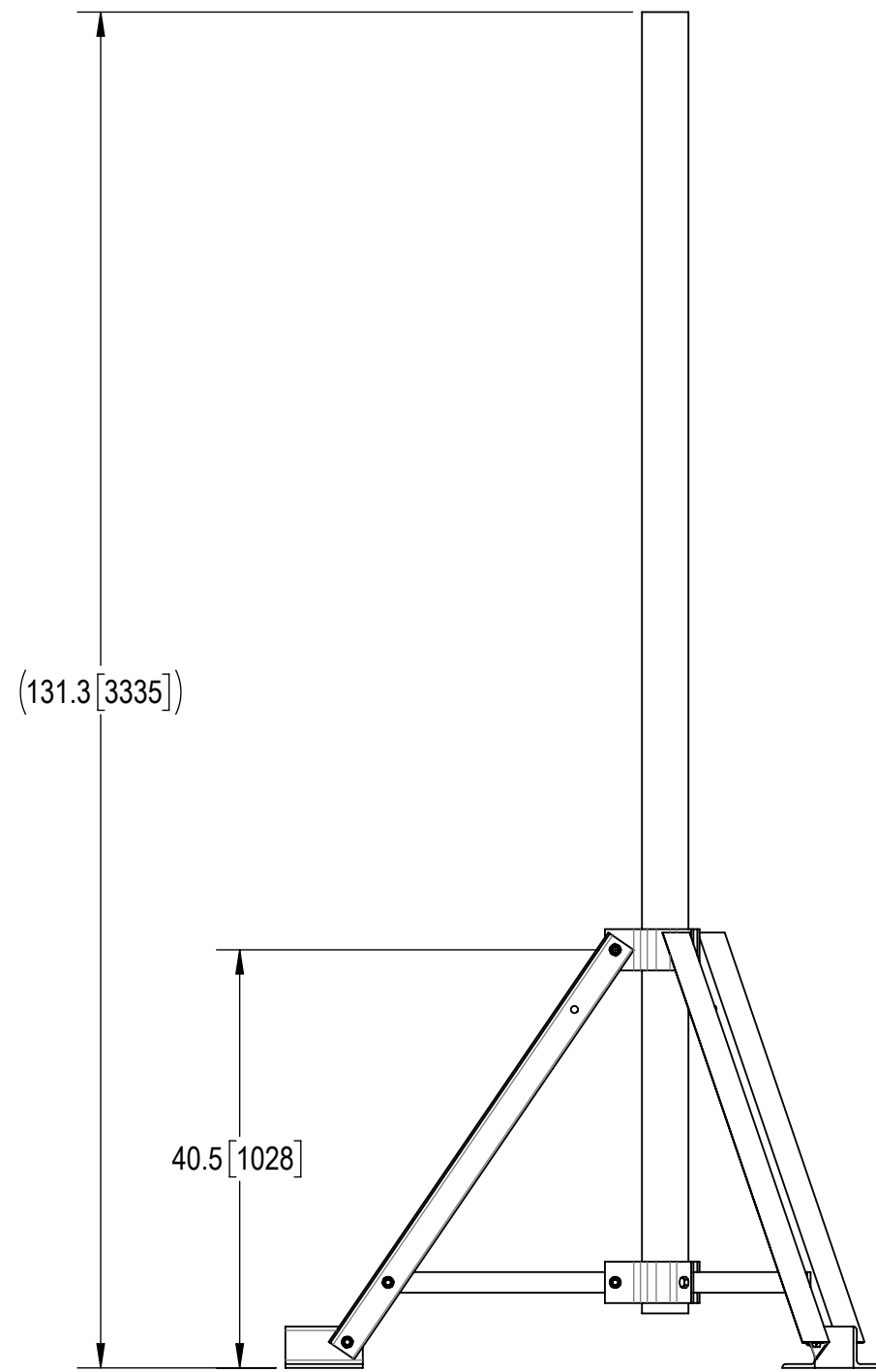
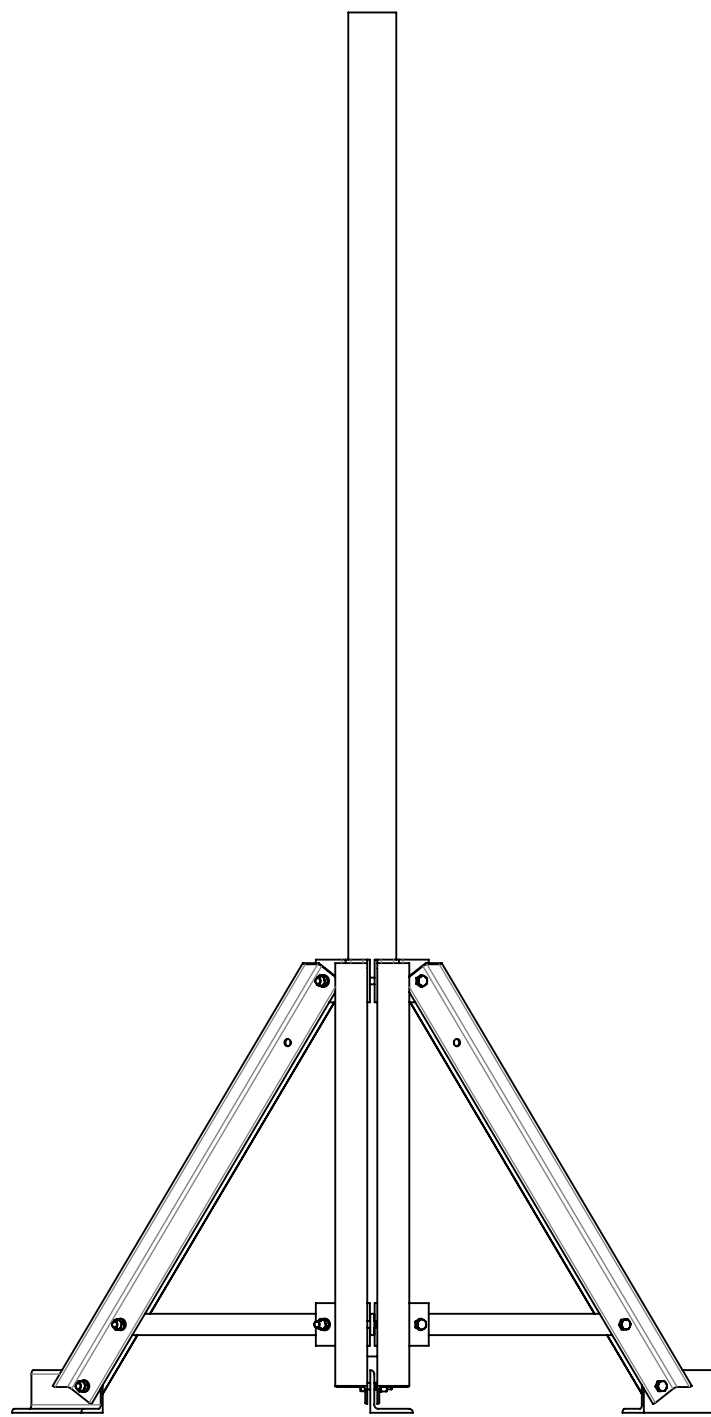
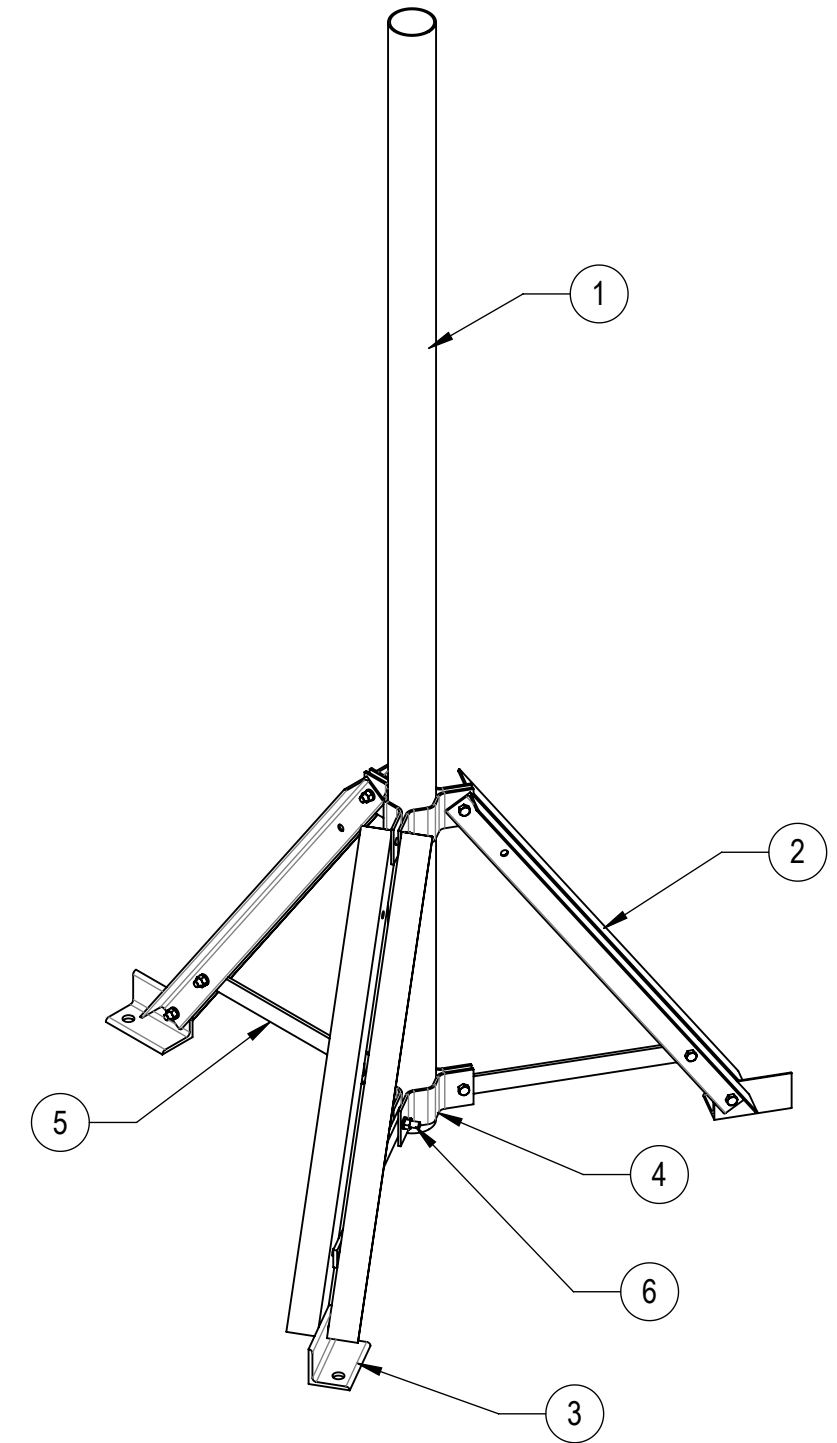
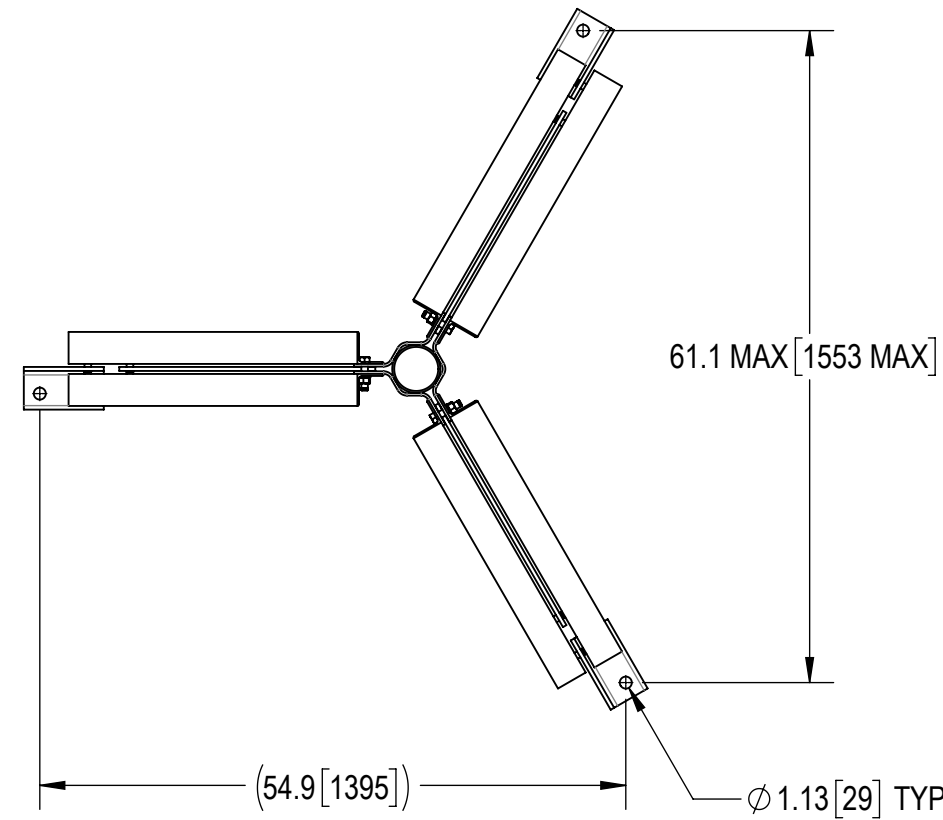


- 1.0 GENERAL NOTES
 1.1 ALL METRIC DIMENSIONS ARE IN BRACKETS [X.X]
 1.2 FOR PATENT INFO: <https://www.cs-pat.com>
 2.0 DESIGN NOTES
 3.0 MANUFACTURING/SPECIAL REQUIREMENTS
 3.1 TIGHTEN ALL BOLTS SECURING FLAT PLATES BY THE TURN-OF-NUT METHOD. TIGHTEN ALL U-BOLTS USING TURN-OF-NUT METHOD WITH ATTENTION TO LEAVE EQUAL DISTANCE AND EQUAL FORCE ON EACH LEG OF THE U-BOLT.
 4.0 TEST
 5.0 PACKAGING
 5.1 PACKAGING SHALL MEET COMMSCOPE REQUIREMENTS PER DOCUMENT IS-PL-3005
 5.2 PRINTED DOCUMENT TO BE PLACED INSIDE POLYBAG AND THEN IN SHIPPING CONTAINER
 5.3 EXTRA HARDWARE MAY BE SUPPLIED, BAGGED AND SHIPPED

REVISIONS			
REV.	DESCRIPTION	DATE	APPROVED
F	INITIAL RELEASE	LL1090 20JUN24	BA1025 40198577CMO



COMPONENT PART NUMBERS PROVIDED FOR ASSEMBLY PURPOSES;
 INDIVIDUAL COMPONENTS MAY BE SHIPPED AS PARTS WITHIN AN INCLUDED KIT.

ITEM NO.	PART NUMBER	DESCRIPTION	QTY.	WEIGHT	NOTE NO.
1	MT-539	4.5" O.D. X 126" PIPE	1	91.00 LBS	
2	TPG412B09	TRIPOD LEG ANGLE	6	14.74 LBS	
3	TPG412B07	FOOT FOR TPG SERIES TRIPOD	3	5.84 LBS	
4	TPG412B02	4-1/2" TRIPOD CLAMP	6	3.05 LBS	
5	TPG412B04	LEG BRACE (EA)	3	4.99 LBS	
6	GB-05245	5/8" X 2-1/2" GALV BOLT KIT	12	0.30 LBS	

DENSITY		lbs/in ³
MASS	235.19	lbs
VOLUME	831.75	in ³
SURFACE AREA	8237.86	in ²
HEIGHT	131.3"	
LENGTH	65.7"	
WIDTH	58.2"	

COMMSCOPE, INC. OF NORTH CAROLINA

TOLERANCES: 1 PLACE .X[X] ± 0.12[3.0], 2 PLACE .XX[X] ± 0.06[1.5], 3 PLACE .XXX[X] ± 0.030[0.8], ANGLES ± 2°

SAP MATERIAL MASTER: TP-G412-126

FINISH: MATERIAL:

NAME	DATE	TITLE
CE LL1090	20JUN24	UNIV. TRIPOD MOUNT W/ 126" X 4-1/2" P
RW LL1090	06/20/2024	
AD YMENG	06/21/2024	
RE YMENG	06/21/2024	

SCALE: 1:12 DOCUMENT NO. TP-G412-126

SIZE	Auth Group	INSL	MODEL	DRAWING			SHEET		
C			VERSION 02	STATUS RE	REVISION H	VERSION 00	STATUS RE	REVISION F	1 OF 1

UNLESS OTHERWISE SPECIFIED DIMENSIONS ARE IN INCHES INTERPRET PER ANSI Y 14.5M-1994