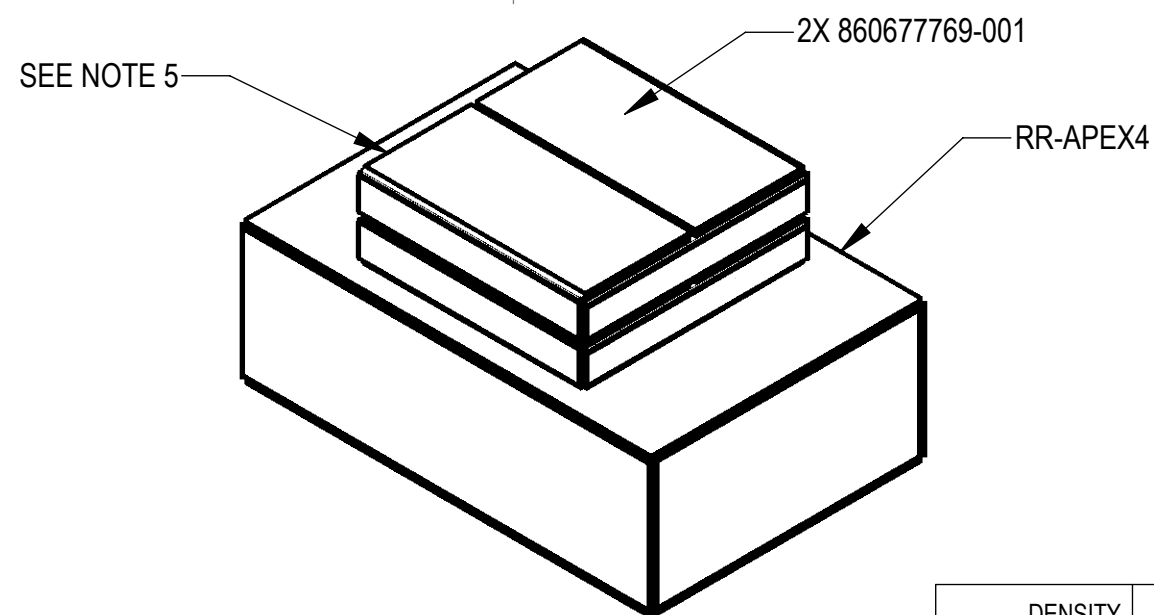
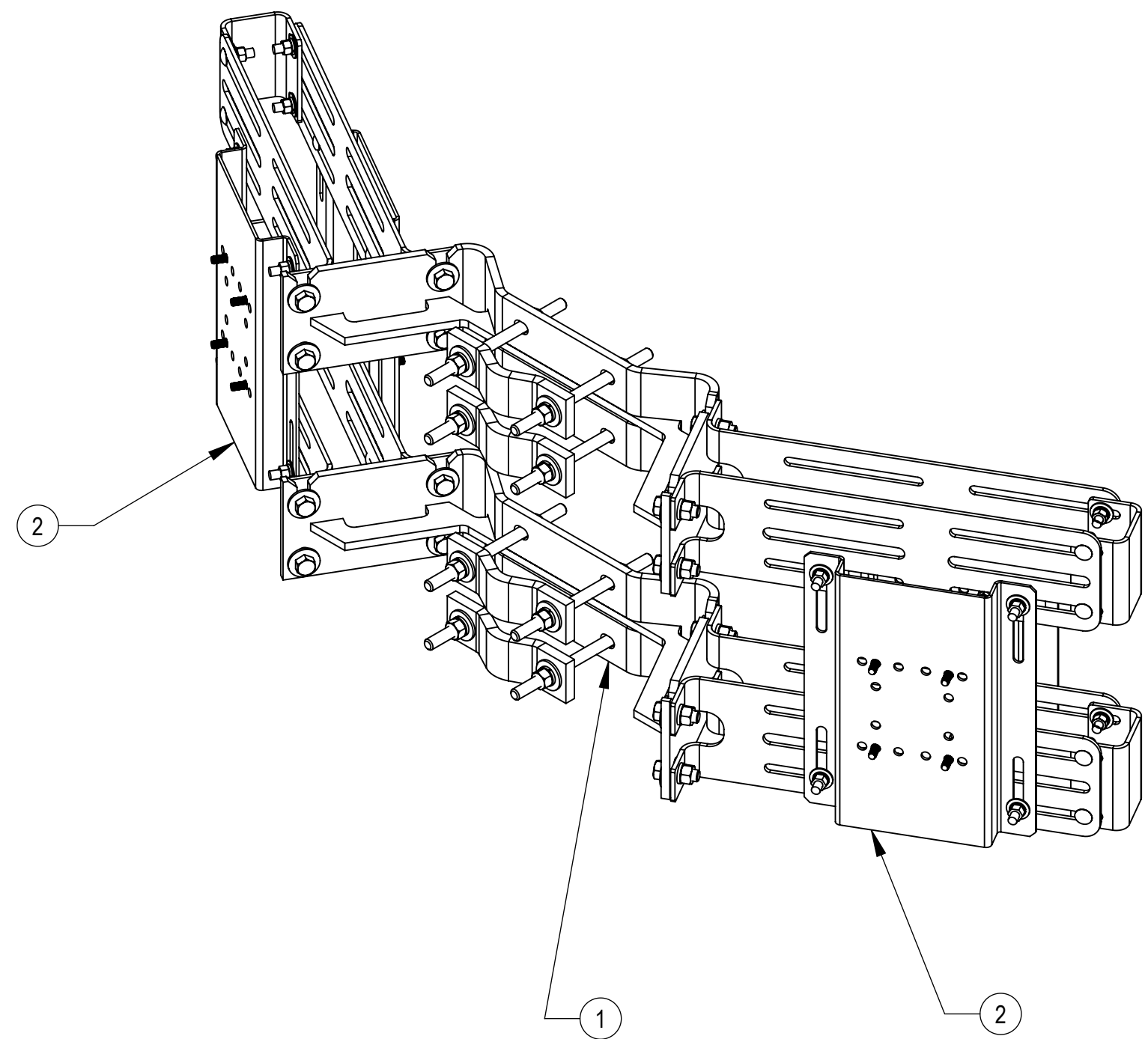
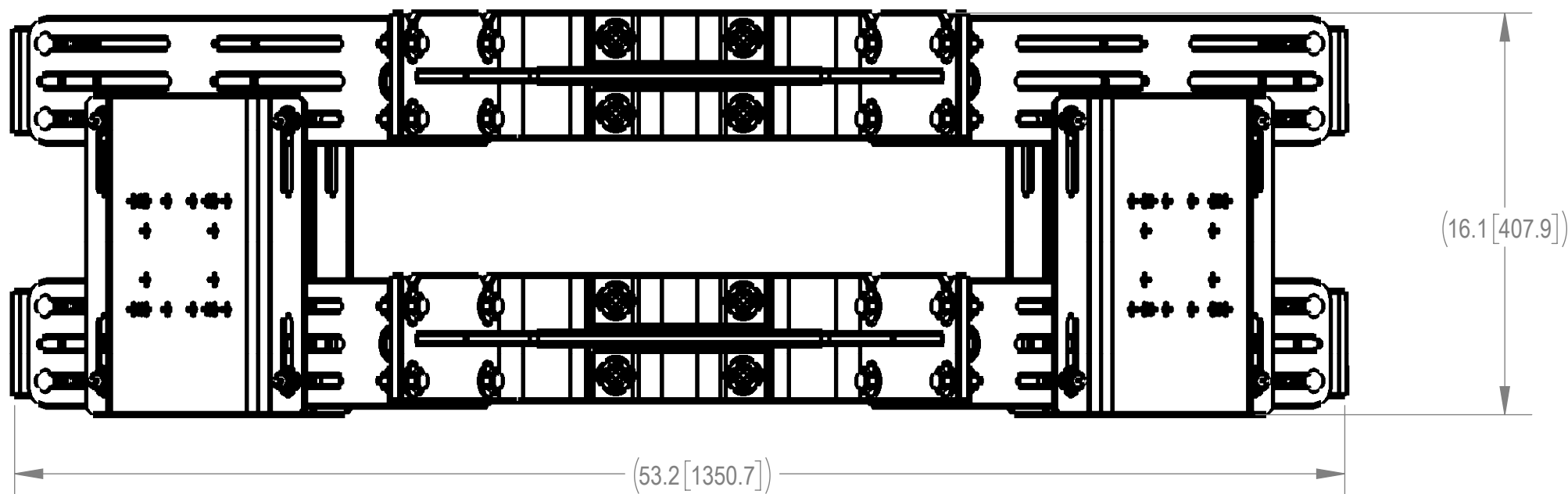
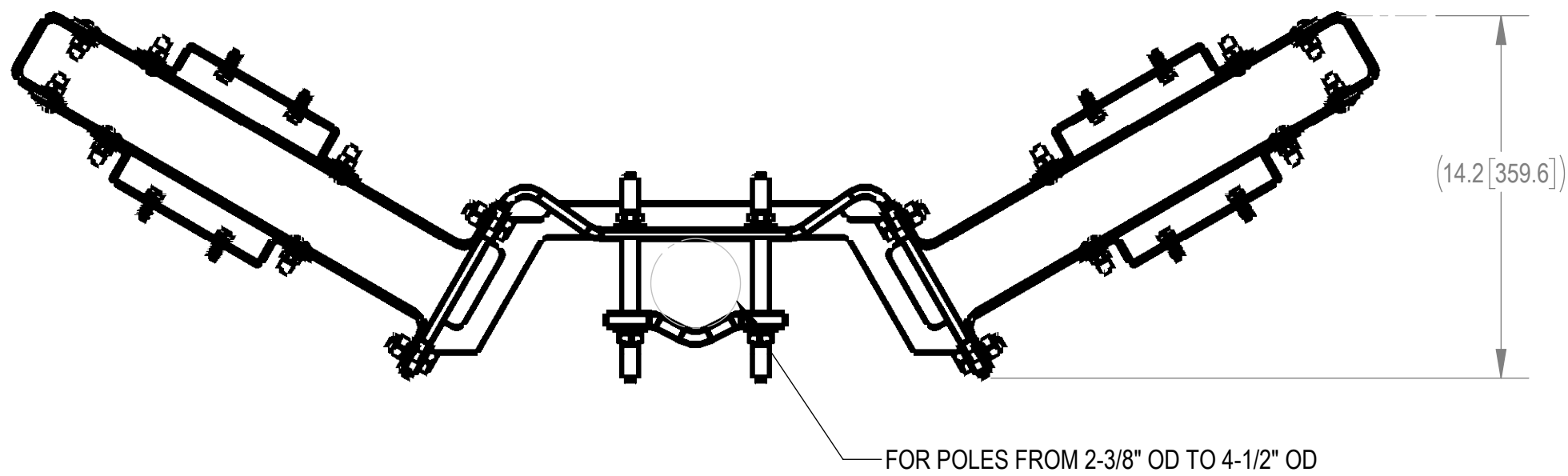


NOTES:

- 1.0 GENERAL NOTES
  - 1.1 ALL METRIC DIMENSIONS ARE IN BRACKETS [X. X]
  - 1.2 FOR PATENT INFO: <https://www.cs-pat.com>
- 2.0 DESIGN NOTES
  - 2.1 ANY HAZARDS OR OBSTRUCTIONS TO THE CLIMBING FACILITY AND SAFETY CLIMB MUST BE IDENTIFIED PRIOR TO INSTALLING THE APPURTENANCE. ADDITIONAL PRODUCTS MAY BE REQUIRED TO MAINTAIN THE INTEGRITY OF THE SAFETY CLIMB. DURING INSTALLATION, TEMPORARY AND/OR PERMANENT PRECAUTIONARY MEASURES SHOULD BE TAKEN TO PRESERVE THE CLIMBING FACILITY AND/OR SAFETY CLIMB.
  - 2.2 THE "RR-APEX4-A" IS COMPATIBLE WITH SAMSUNG, NOKIA, AND ERICSSON ERC & OTHER LEGACY RADIOS.
- 3.0 MANUFACTURING/SPECIAL REQUIREMENTS
  - 3.1 AT ASSEMBLY, TIGHTEN ALL BOLTS SECURING FLAT PLATES BY THE TURN-OF-NUT METHOD. TIGHTEN ALL NUTS SECURING THREADED RODS USING TURN-OF-NUT METHOD, WITH ATTENTION TO LEAVE EQUAL DISTANCE AND EQUAL FORCE ON EACH LEG OF THE THREADED ROD.
- 4.0 TEST
- 5.0 PACKAGING
  - 5.1 PACKAGING SHALL MEET COMMSCOPE REQUIREMENTS PER DOCUMENT IS-PL-3005.
  - 5.2 PRINTED DOCUMENT TO BE PLACED INSIDE POLYBAG AND THEN PLACED IN SHIPPING CONTAINER.
  - 5.3 EXTRA HARDWARE MAY BE SUPPLIED, BAGGED AND SHIPPED
  - 5.4 PACKAGES TO BE BANDED TOGETHER AS A SINGLE UNIT

REV.	DESCRIPTION	BY	DATE
A	INITIAL RELEASE	AG1119 17MAY24	AG1119 40194250CMO



PACKAGE RR-APEX4-A

BILL OF MATERIALS FOR REFERENCE ONLY

ITEM NO.	PART NUMBER	DESCRIPTION	QTY.	NOTE
1	RR-APEX4	APEX 4 RRU MOUNTING	1	3.1,5.2
2	860677769-001	KIT,BRACKET RADIO, RR-FAX ADAPTER	2	5.2

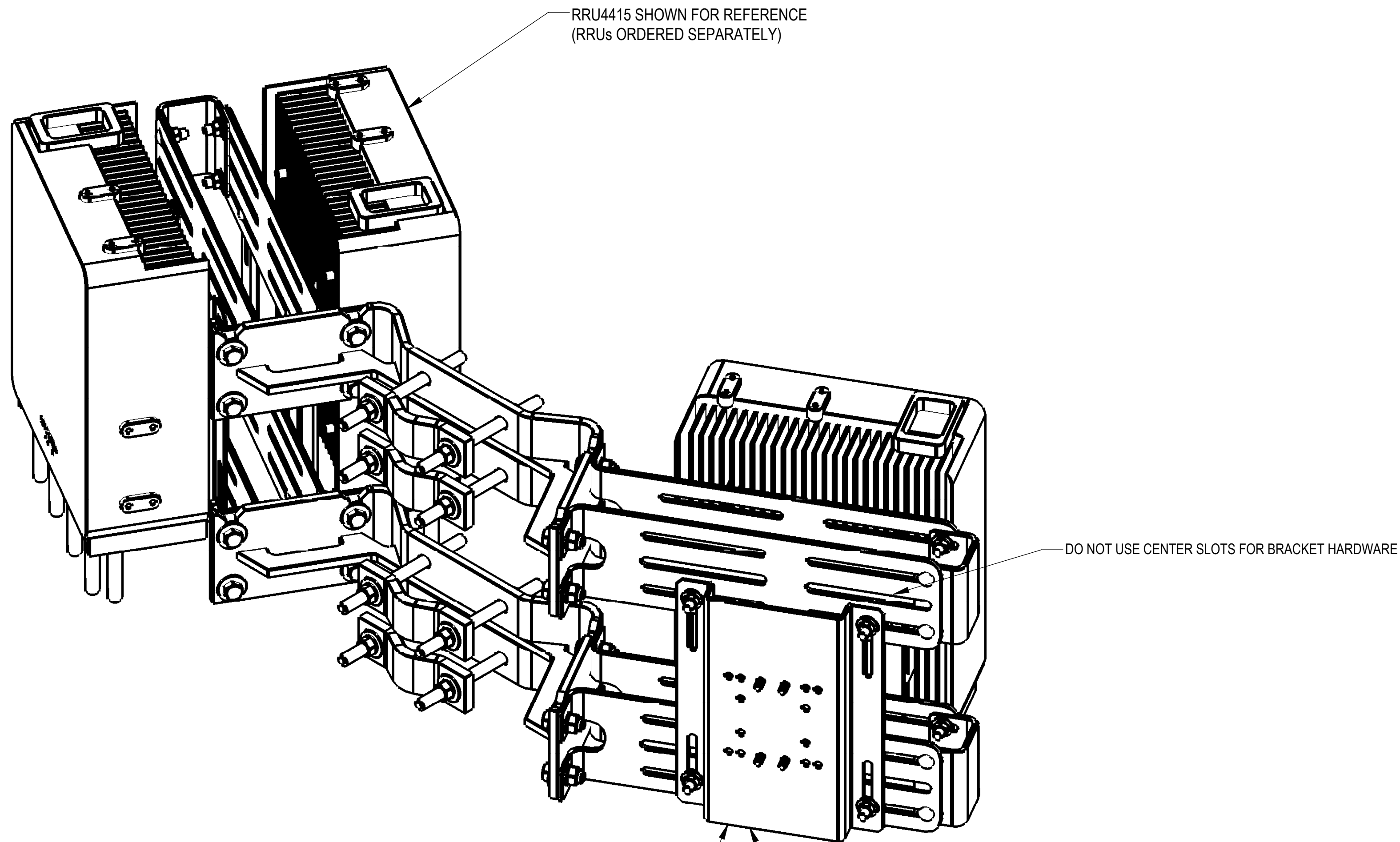
	DENSITY	lbs/in <sup>3</sup>
MASS	115.98	lbs
VOLUME	409.74	in <sup>3</sup>
SURFACE AREA	4516.30	in <sup>2</sup>
HEIGHT	16.1	
LENGTH	54	
WIDTH	14.2	

© 2024 CommScope, Inc. Confidential

<b>COMMSCOPE, INC. OF NORTH CAROLINA</b>											
TOLERANCES						SAP MATERIAL MASTER					
0 PLACE X ± .25			2 PLACE .XX ± 0.06			<b>RR-APEX4-A</b>					
1 PLACE .X ± 0.12			ANGLES ± 2°			FINISH SEE BOM					
FINISH SEE BOM						MATERIAL SEE BOM					
UNLESS OTHERWISE SPECIFIED DIMENSIONS ARE IN INCHES INTERPRET PER ANSI Y 14.5M-1994	CE	AG1119	05/14/2024	TITLE							
	RW	AG1119	05/24/2024	APEX 4-A RRU MOUNT							
	RV			SCALE 1:4							
	AD	RW1043	05/24/2024	DOCUMENT NO.							
	RE	AG1119	05/24/2024	<b>RR-APEX4-A</b>							
ECN 40194250CMO											
SIZE	WORK AREA	INSL	MODEL			DRAWING					
<b>C</b>			VERSION 00	STATUS RE	REVISION A	VERSION 00	STATUS RE	REVISION A	SHEET 1 OF 3		

NOTES:

# INSTALLATION WITH 4415/4426/4478 RADIO, 6308 POWER




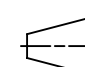
RRU4415 SHOWN FOR REFERENCE  
(RRUs ORDERED SEPARATELY)

DO NOT USE CENTER SLOTS FOR BRACKET HARDWARE

BRACKET MTM101721-510-00. RRU HIDDEN FOR CLARITY

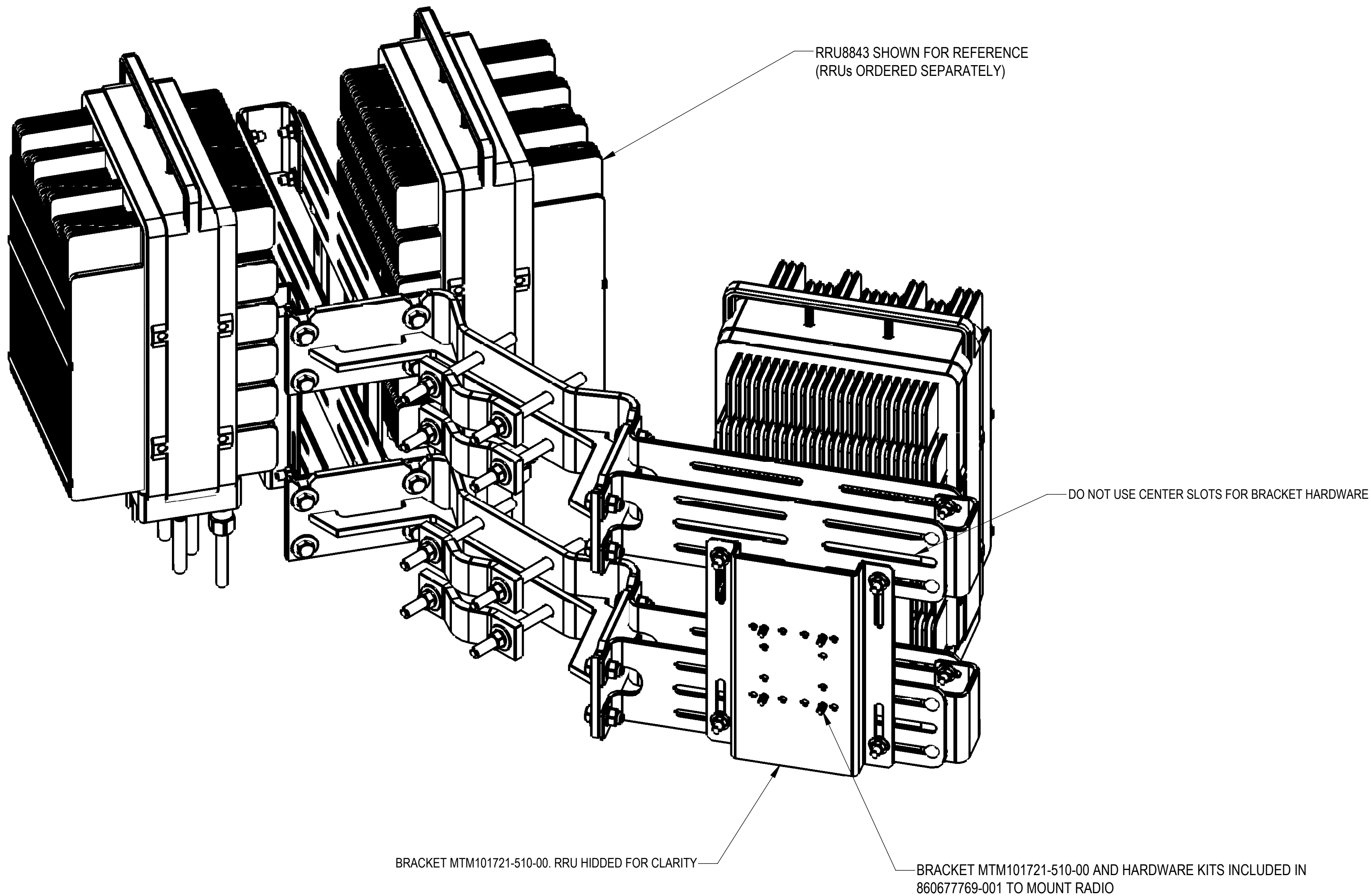
BRACKET MTM101721-510-00 AND HARDWARE KITS INCLUDED IN 860677769-001 TO MOUNT RADIO

1. MOUNT BRACKET MTM101721-510-00 (PART OF 860677769-001) TO RRU FIRST, THEN ATTACH TO RR-APEX-4A
2. USE TOP OR BOTTOM SLOTS IN RR-APEX4-A FOR MOUNTING 860677769-001 BRACKET HARDWARE, DO NOT USE CENTER SLOTS

COMMScope, INC. OF NORTH CAROLINA				
TITLE APEX 4-A RRU MOUNT				
SIZE C	SCALE 1:8	DOCUMENT NO. RR-APEX4-A		
DRAWING		VERSION	STATUS	REVISION
 		00	RE	A
				SHEET 2 OF 3

NOTES:

# INSTALLATION WITH 4449/4467/4490/4890/8843/8863 RADIO



1. MOUNT BRACKET MTM101721-510-00 (PART OF 860677769-001) TO RRU FIRST, THEN ATTACH TO RR-APEX-4A
2. USE TOP OR BOTTOM SLOTS IN RR-APEX4-A FOR MOUNTING 860677769-001 BRACKET HARDWARE, DO NOT USE CENTER SLOTS

COMMSCOPE, INC. OF NORTH CAROLINA				
TITLE APEX 4-A RRU MOUNT				
SIZE C	SCALE 1:8	DOCUMENT NO. RR-APEX4-A		
		DRAWING		SHEET
		VERSION	STATUS	REVISION
		00	RE	A
				3 OF 3