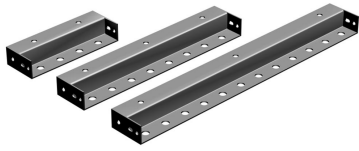


# MT-F1588

---



Wall-Mount Bracket for 12 coaxial cable runs

## Product Classification

**Product Type** Mounting bracket

## Dimensions

**Height** 101.6 mm | 4.0 in  
**Length** 812.8 mm | 32.0 in  
**Weight** 2.8 kg | 6.2 lb  
**Width** 50.8 mm | 2.0 in

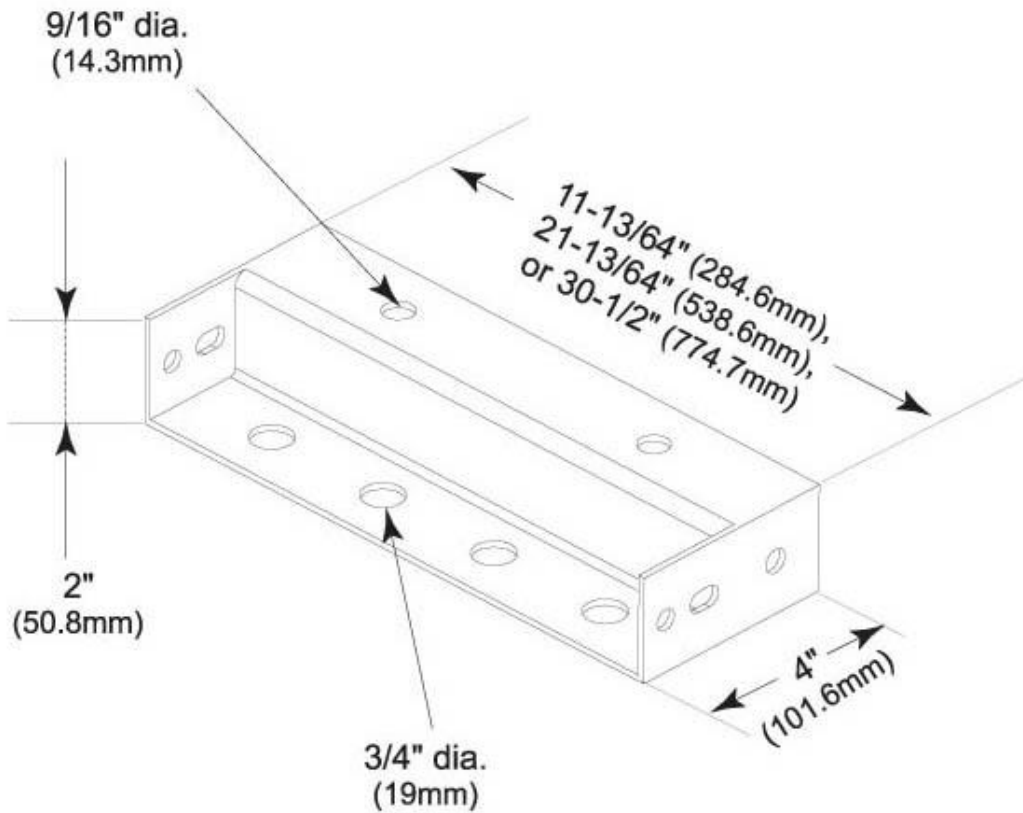
## Environmental Specifications

**Wind Rating** For Specifications, please contact [steelproducts@commscope.com](mailto:steelproducts@commscope.com) or call 800-255-1479

## General Specifications

**Mounting** Walls  
**Cable Runs, quantity** 12  
**Hole Size** 19.1 mm | 3/4 in  
**Hole, quantity** 12  
**Includes** Brackets  
**Material Type** Hot dip galvanized steel  
**Package Quantity** 1

## Outline Drawing



## Regulatory Compliance/Certifications

### Agency

ISO 9001:2015

### Classification

Designed, manufactured and/or distributed under this quality management system



## \* Footnotes

### Wind Rating

BWS—Base Wind Speed; FBC—Florida Building Code