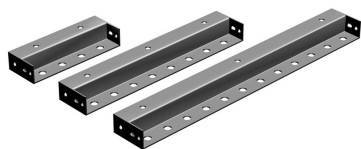


MT-F1587



Wall-Mount Bracket for eight coaxial cable runs

Product Classification

Product Type Mounting bracket

Dimensions

Height 101.6 mm | 4.0 in
Length 558.8 mm | 22.0 in
Weight 1.9 kg | 4.2 lb
Width 50.8 mm | 2.0 in

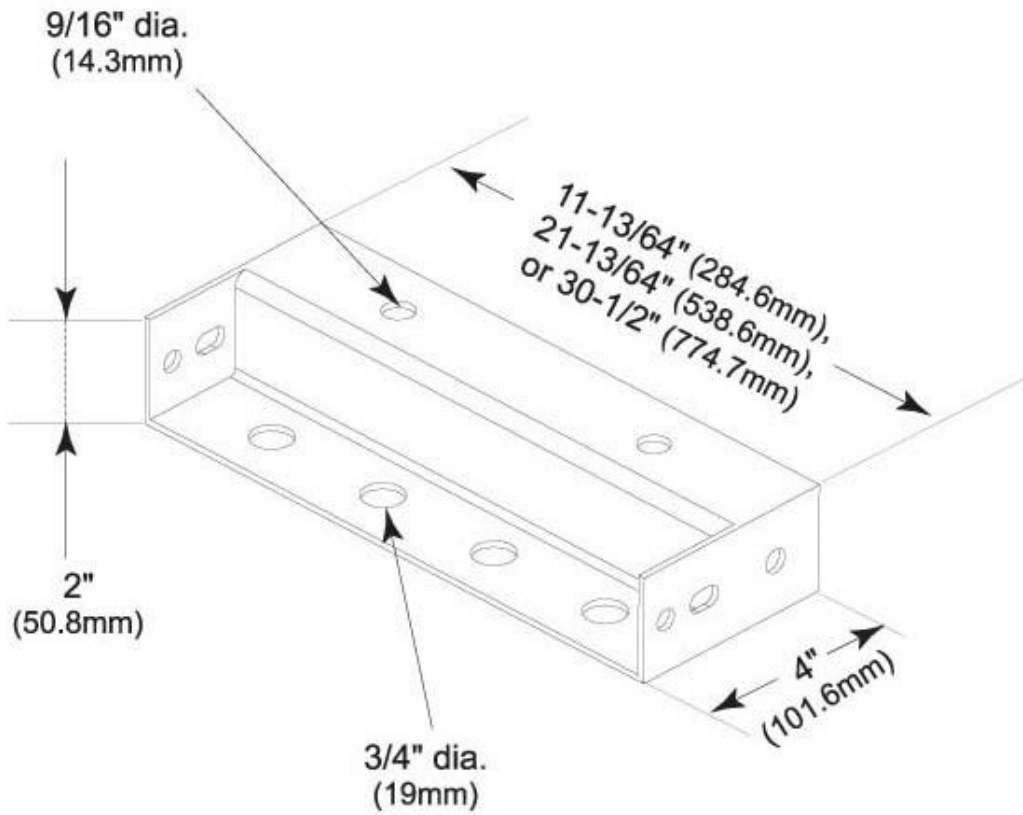
Environmental Specifications

Wind Rating For Specifications, please contact steelproducts@commscope.com or call 800-255-1479

General Specifications

Mounting Walls
Cable Runs, quantity 8
Hole Size 19.1 mm | 3/4 in
Hole, quantity 8
Includes Brackets
Material Type Hot dip galvanized steel
Package Quantity 1

Outline Drawing



Regulatory Compliance/Certifications

Agency

ISO 9001:2015

Classification

Designed, manufactured and/or distributed under this quality management system



* Footnotes

Wind Rating

BWS—Base Wind Speed; FBC—Florida Building Code