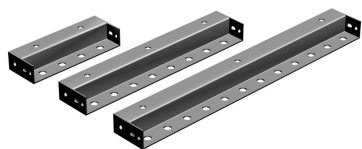


MT-F1586



Wall-Mount Bracket for four coaxial cable runs

Product Classification

Product Type Mounting bracket

Dimensions

Height 101.6 mm | 4.0 in
Length 304.8 mm | 12.0 in
Weight 1.0 kg | 2.2 lb
Width 50.8 mm | 2.0 in

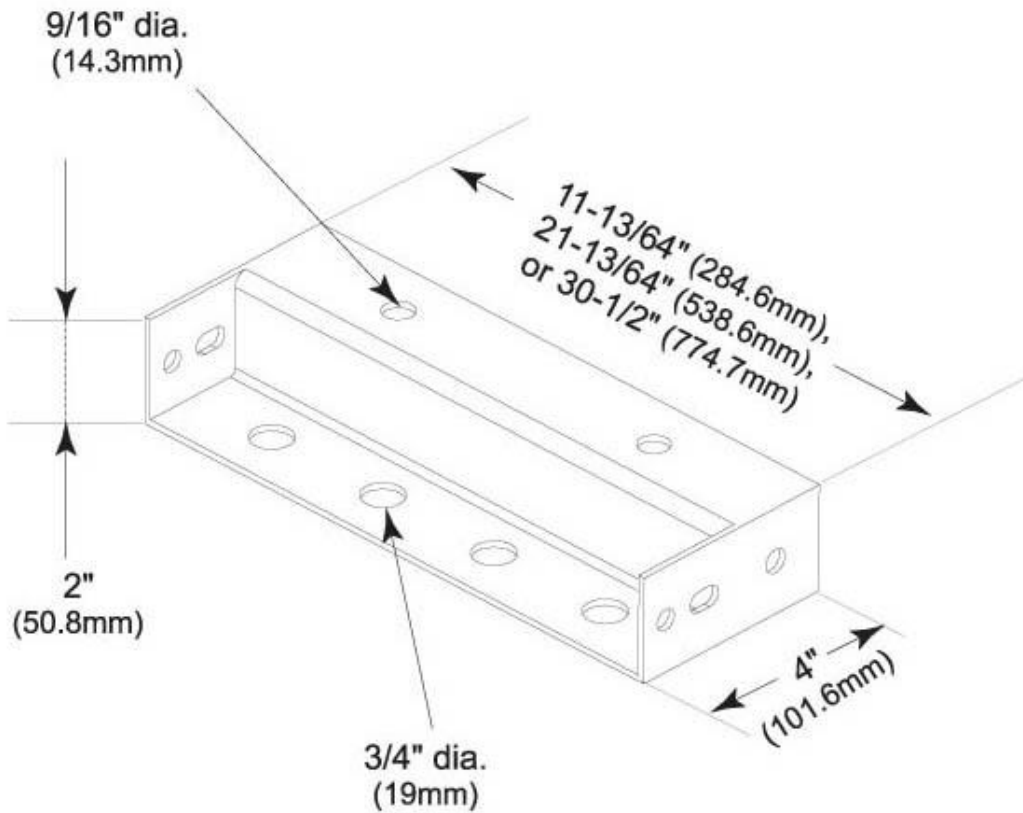
Environmental Specifications

Wind Rating For Specifications, please contact steelproducts@commscope.com or call 800-255-1479

General Specifications

Mounting Walls
Cable Runs, quantity 4
Hole Size 19.1 mm | 3/4 in
Hole, quantity 4
Includes Brackets
Material Type Hot dip galvanized steel
Package Quantity 1

Outline Drawing



Regulatory Compliance/Certifications

Agency

ISO 9001:2015

Classification

Designed, manufactured and/or distributed under this quality management system



* Footnotes

Wind Rating

BWS—Base Wind Speed; FBC—Florida Building Code